



PACKAGING GUIDE

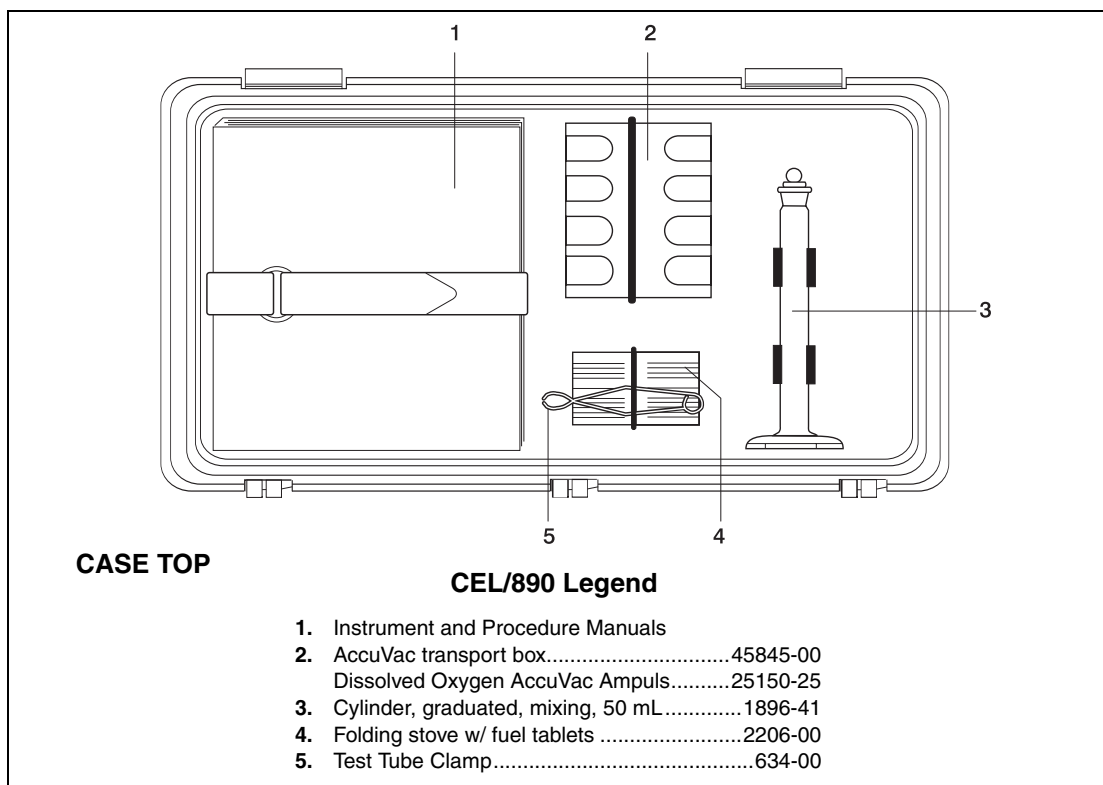
CEL/890 Advanced Wastewater Laboratory

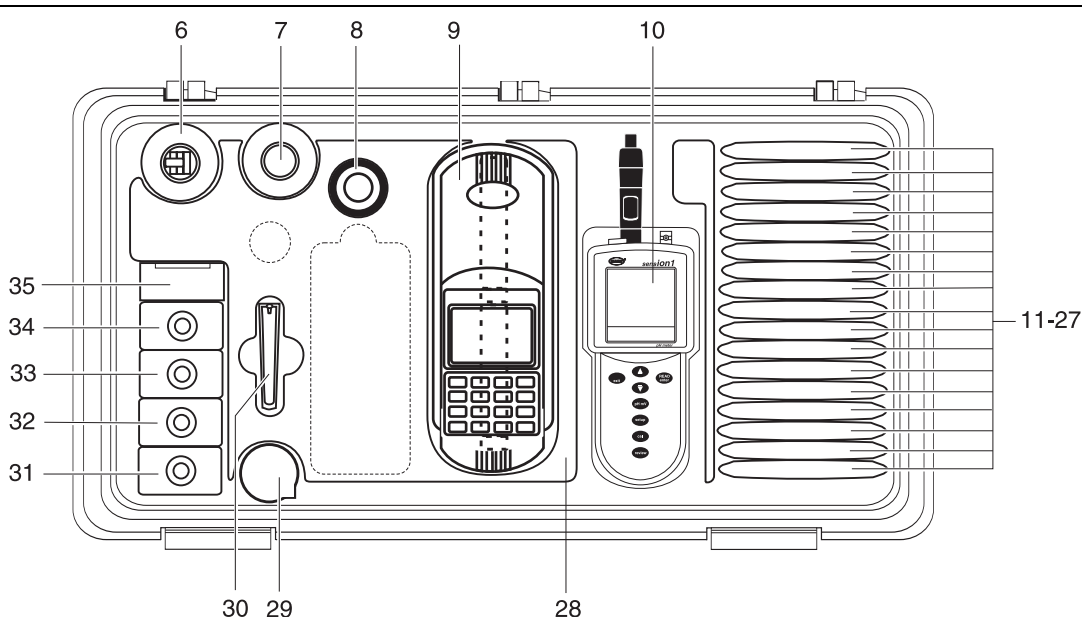
This packaging guide will help you arrange the instruments, reagents, and equipment included in the CEL/890 Advanced Wastewater Laboratory. The legend also serves as a materials list; use it to verify that your shipment is complete when you receive it from Hach and to re-order supplies when you need them.

Most of the chemicals and apparatus fit into the carrying case provided, except for the AccuVac[®] Reagent Ampuls. To transport the ampuls, a padded hinged box that holds 8 ampuls is included. Store the styrofoam shipping boxes with the remaining ampuls in a suitable place and replenish the transport box as needed.

Included Documentation:

Item Description	Cat. No.
Instrument Manual, DR/800 series.....	48440-18
Procedures Manual, DR/890	48470-22
<i>sens^{ion}</i> [™] 1 Portable pH Instrument Manual	51700-18
Platinum Series pH Electrode Manual	51910-88





CASE BOTTOM

CEL/890 Legend (continued)

6. Demineralizer Bottle	14299-00	23. NitraVer [®] 5 Nitrate Powder Pillows	21061-69
7. Cyclohexanone	14033-32	24. NitriVer [®] 3 Nitrite Powder Pillows	21071-69
8. COD/TNT Adapter for DR/800	48464-00	25. Ammonia Cyanurate Powder Pillows	26531-99
9. DR/890 Colorimeter	48470-60	26. Ammonia Salicylate Powder Pillows	26532-99
10. sensION1 Portable pH Meter with Platinum Series pH Electrode	51700-10	27. ZincoVer [®] 5 Zinc Powder Pillows	21066-69
11. Chromium 1 Powder Pillows	2043-99	28. Sample Cells, 10-, 20- & 25-mL, 6/pkg	24019-06
12. Chromium 2 Powder Pillows	2044-99	29. Beaker, 50 mL, low form	500-41
13. Acid Reagent Powder Pillows	2126-99	30. Clippers, for medium powder pillows	968-00
14. ChromaVer [®] 3 Powder Pillows	12066-99	31. Amino Acid Reagent	1934-32
15. DPD Total Chlorine Powder Pillows for 25-mL samples	14064-99	32. Molybdate Reagent	2236-32
16. AluVer [®] 3 Powder Pillows	14290-46	33. Alkaline Cyanide Reagent	21223-32
17. Bleaching 3 Powder Pillows	14294-49	34. PAN Indicator Solution, 0.1%	21224-32
18. Ascorbic Acid Powder Pillows	14577-99	35. Buffer Powder Pillows, pH 4.01 & 7.00	22992-64
19. DPD Total Chlorine Powder Pillows for 10-mL samples	21056-69		
20. FerroVer [®] Iron Powder Pillows	21057-69		
21. CuVer [®] 1 Copper Powder Pillows	21058-49		
22. PhosVer [®] 3 Phosphate Powder Pillows	21060-66		



FOR TECHNICAL ASSISTANCE, PRICE INFORMATION AND ORDERING:
In USA call 1-800-227-4224. Or contact the authorized HACH office or distributor serving you.