



# PACKAGING GUIDE

## CEL/850 Aquaculture Laboratory

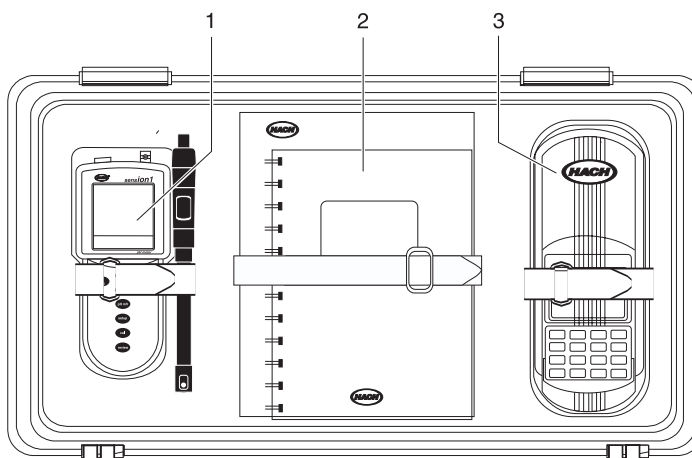
This packaging guide will help you arrange the instruments, reagents, and apparatus included in the CEL/850 Aquaculture Laboratory. The legend also serves as a materials list; use it to verify that your shipment is complete when you receive it from Hach and to re-order supplies when you need them.

Most of the chemicals and apparatus fit into the carrying case provided, except for the reagent duplicates, and additional AccuVac® Reagent Ampuls and droppers that you may want to carry with you. To transport the ampuls, a padded, hinged box that holds eight ampuls is included. Store the styrofoam shipping boxes with the remaining ampuls in a suitable place and replenish the transport box as needed.

### Included Documentation:

Item Description	Cat. No.
Instrument Manual, DR/800 Series Colorimeter.....	48440-18
Procedures Manual, DR/850 Colorimeter.....	48450-22
Manual Binder, DR/800 Series Colorimeter.....	48450-33
Manual, Digital Titrator.....	16900-08
Manual, <i>sensION</i> ™1 pH Meter.....	51700-18
Manual, Platinum Series Combination pH Electrode.....	51910-88

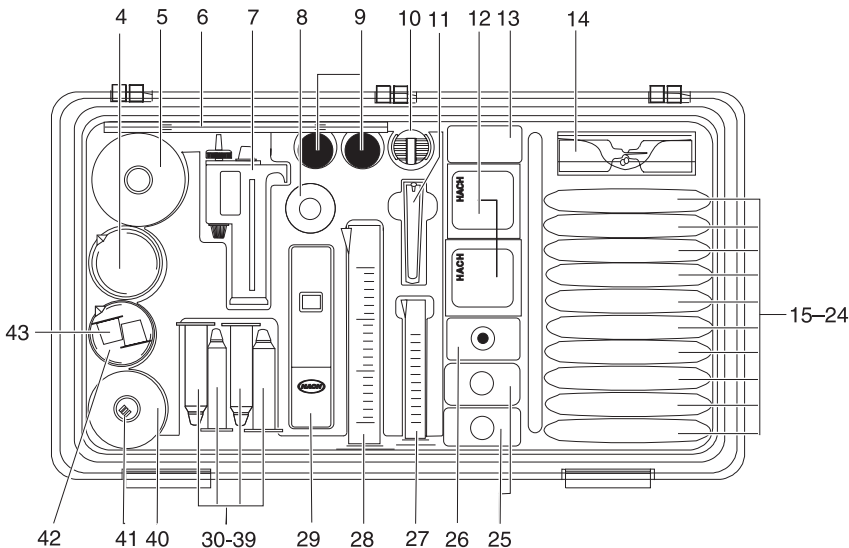
**Note:** Powdered reagent packaging may vary between PermaChem® pouches and pillow boxes.



### CASE TOP

### CEL/850 Legend

1. sensION1 Portable pH Meter, with Platinum Series pH Electrode.....	51700-10	Instrument Manual, DR/800 Series Colorimeter.....	48440-18
2. Instructions/Manuals Manual Binder, DR/800 Series Colorimeter.....	48450-33	Procedures Manual, DR/850 Colorimeter....	48450-22
		Manual, Digital Titrator.....	16900-08
		3. DR/850 Colorimeter.....	48450-00



## CASE BOTTOM

### CEL/850 Legend, continued

- |  |   |
|--|---|
| 4. Beaker, Polypropylene, low form, 100 mL ..... 1080-42                     | 23. Ammonia Cyanurate Powder Pillows, 100/pkg ..... 26531-99    |
| 5. Flask, Erlenmeyer, 250 mL..... 505-46                                     | 24. Ammonia Salicylate Powder Pillows, 100/pkg ..... 26532-99   |
| 6. Manual, sensION1 pH Meter..... 51700-18                                   | 25. Water, Deionized (Qty. 2) ..... 272-42                      |
| 7. Titrator Assembly, Digital..... 16900-02                                  | 26. Buffer Solution, Hardness 1, 100 mL MDB ..... 424-32        |
| 8. Adapter Assembly, COD/TNT Adapter DR/800 Colorimeter ..... 48464-00       | 27. Cylinder, Polypropylene, graduated, 10 mL ..... 1081-38     |
| 9. Sample Cell, 25 x 95 mm, 10-20-15 mL marks (6/pkg reorder) ..... 24019-06 | 28. Cylinder, Polypropylene, graduated, 50 mL ..... 1081-41     |
| 10. AccuVac Snapper..... 24052-00  | 29. Pocket Pal TDS Tester..... 44400-01                         |
| 11. Clippers, for medium powder pillows ..... 968-00                         | 30. Silver Nitrate Standard, 0.2256 N, cartridge ..... 14396-01 |
| 12. Chloride 2 Indicator Powder Pillows (Qty. 2)..... 1057-66                | 31. Silver Nitrate Standard, 1.128 N, cartridge ..... 14397-01  |
| 13. Buffer Powder Pillows, pH 4.01 & 7.00 ..... 22992-64                     | 32. Sodium Hydroxide, 0.1600 N, cartridge ..... 14377-01        |
| 14. AccuVac Ampul Transport Box ..... 45845-00                               | 33. Sodium Hydroxide, 0.3636 N, cartridge ..... 14378-01        |
| 15. ManVer® 2 Powder Pillows, 100/pkg ..... 851-99                           | 34. Sodium Hydroxide, 1.600 N, cartridge ..... 14379-01         |
| 16. Phenolphthalein Powder Pillows, 100/pkg..... 942-99                      | 35. Sodium Hydroxide, 3.636N, cartridge ..... 14380-01          |
| 17. Bromcresol Green–Methyl Red Powder Pillows, 100/pkg ..... 943-99         | 36. Sulfuric Acid, 0.1600 N, cartridge ..... 14388-01           |
| 18. Bromphenol Blue Powder Pillows, 100/pkg ..... 14550-99                   | 37. Sulfuric Acid, 1.600 N, cartridge ..... 14389-01            |
| 19. FerroVer® Iron Powder Pillows, 100/pkg ..... 21057-69                    | 38. TitraVer® EDTA, 0.0800 M, cartridge ..... 14364-01          |
| 20. PhosVer® 3 Phosphate Powder Pillows, 100/pkg ..... 21060-69              | 39. TitraVer® EDTA, 0.800 M, cartridge..... 14399-01            |
| 21. NitraVer® 5 Powder Pillows, 100/pkg ..... 21061-69                       | 40. Flask, Erlenmeyer, 125 mL..... 505-43                       |
| 22. NitriVer® 3 Powder Pillows, 100/pkg ..... 21071-69                       | 41. Delivery Tube, 180° hook (Qty. 5)..... 17205-00             |
|  | 42. Beaker, Polypropylene, low form, 50 mL ..... 1080-41        |
|  | 43. Stopper, blue rubber (Qty. 2) ..... 1731-0                  |



**FOR TECHNICAL ASSISTANCE, PRICE INFORMATION AND ORDERING:**  
**In USA call 1-800-227-4224. Or contact the authorized HACH office or distributor serving you.**