



PACKAGING GUIDE

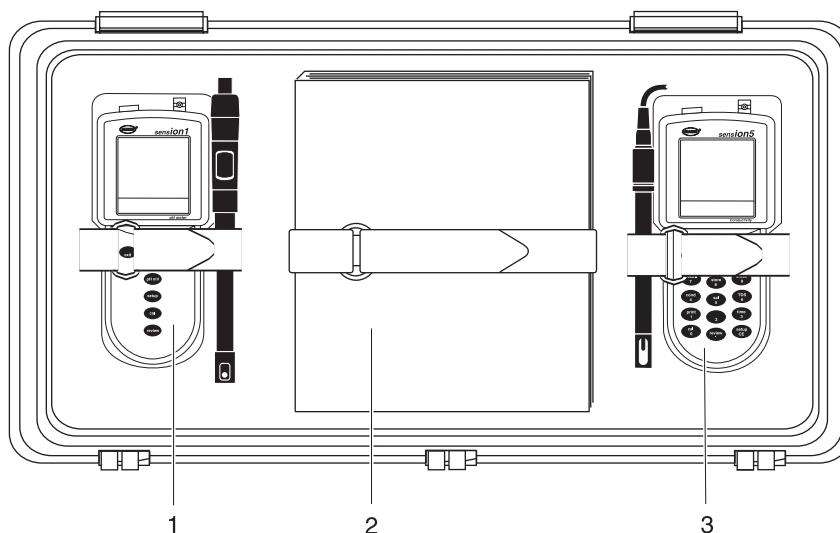
CEL/890 Professional Water Treatment Lab

This packaging guide will help you arrange the instruments, reagents, and equipment included in the CEL/890 Professional Water Treatment Laboratory. The legend also serves as a materials list; use it to verify that your shipment is complete when you receive it from Hach and to re-order supplies when you need them.

Most of the chemicals and apparatus fit into the carrying case provided, except for the AccuVac[®] Reagent Ampuls, which you may want to carry with you. To transport the ampuls, a padded hinged box that holds 8 ampuls is included. Store the styrofoam shipping boxes with the remaining ampuls in a suitable place and replenish the transport box as needed.

Included Documentation:

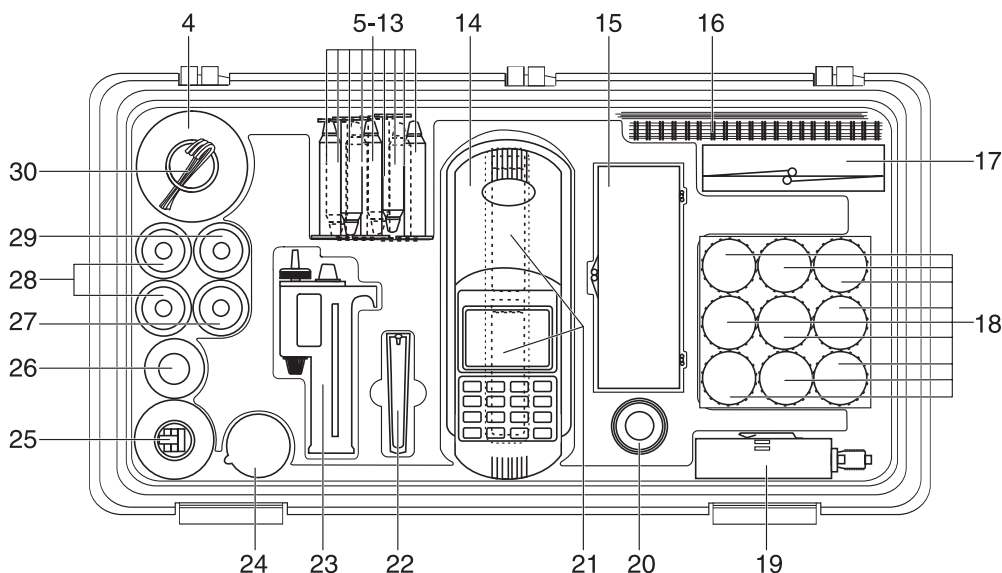
Item Description	Cat. No.
Instrument Manual, DR/800 series.....	48440-18
Procedures Manual, DR/890	48470-22
<i>sensION</i> TM 5 Conductivity Meter Manual	51800-18
<i>sensION</i> TM 1 Portable pH Instrument Manual	51700-18
Platinum Series pH Electrode Manual	51910-88
Digital Titrator Manual	16900-08



INSTRUMENT CASE TOP

CEL/890 Legend

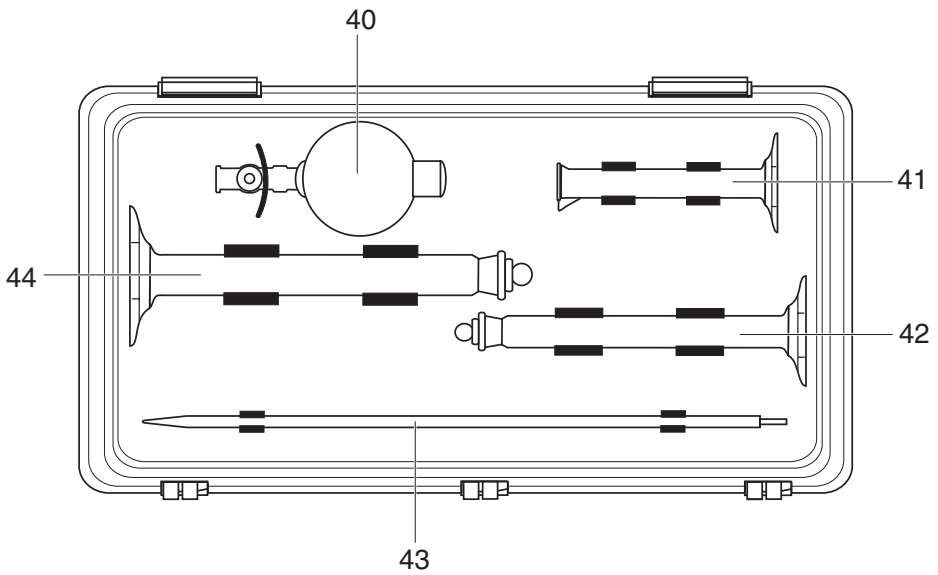
1. *sensION*1 Portable pH/ISE Meter with Platinum Series pH Electrode 51700-10
2. DR/890 Procedure Manual 48470-22
DR/890 Instrument Manual 48440-18
3. *sensION*5 Conductivity Meter with probe.. 51800-10



INSTRUMENT CASE BOTTOM

CEL/890 Legend (continued)

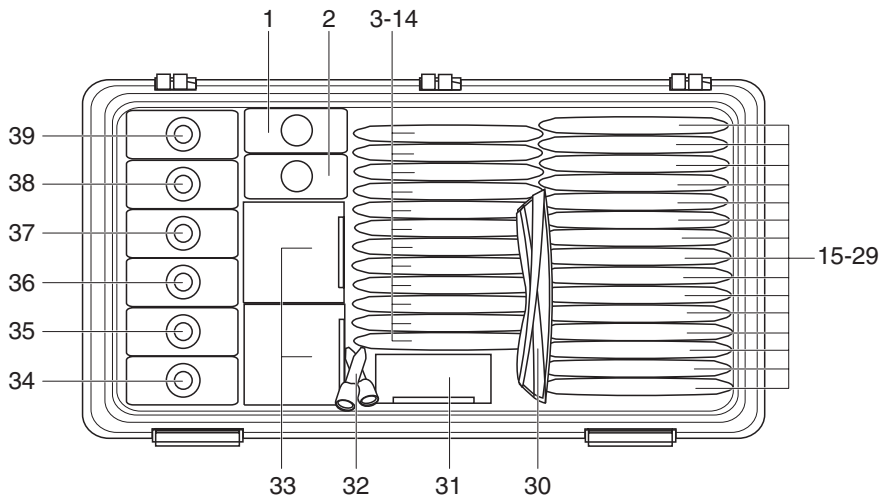
4. Erlenmeyer Flask, 250 mL	505-46	19. Field Pack for UV light	26706-00
5. TitraVer® EDTA Cartridge, 0.0800 M.....	14364-01	20. COD/TNT Adapter for DR/890	48464-00
6. TitraVer EDTA Cartridge, 0.800 M.....	114399-01	21. Sample Cells, 10-, 20-, & 25-mL, 6/pkg ..	24019-06
7. Sodium Hydroxide Cartridge, 0.3636 N	14378-01	22. Clippers, for medium powder pillows	968-00
8. Sodium Hydroxide Cartridge, 3.636 N	14380-01	23. Digital Titrator	16900-02
9. Sulfuric Acid Cartridge, 0.1600 N	14388-01	24. Beaker, 50 mL	500-41
10. Sulfuric Acid Cartridge, 1.600 N	14389-01	25. Demineralizer Bottle	14299-00
11. Silver Nitrate Cartridge, 0.2256 N	14396-01	26. Cyclohexanone.....	14033-32
12. Silver Nitrate Cartridge, 1.128 N	14397-01	27. Molybdate 3 reagent Solution	1995-26
13. Bismuth Nitrate Cartridge, 0.0200 M.....	24345-01	28. EDTA Solution, 1 M	22419-26
14. DR/890 Colorimeter	48470-00	29. EGTA Solution.....	22297-26
15. UV Lamp, portable, short wave.....	26710-00	30. Delivery Tubes for Digital Titrator	17205-00
16. Manuals			
17. AccuVac Ampul Transport Box.....	45845-00		
Dissolved Oxygen Ampuls, Low Range ..	25010-25		
18. Bart™ Tester Set.....	24348-09		
Iron-Related Bacteria, 9/pkg	24323-09		
Sulfate-Reducing Bacteria, 9/pkg	24324-09		
Slime-Forming Bacteria, 9/pkg.....	24325-09		



REAGENT CASE TOP

CEL/890 Legend (continued)

- 40. Pipet Bulb 12189-00
- 41. Graduated Cylinder, 25 mL..... 1081-40
- 42. Graduated Cylinder, 50 mL..... 1896-41
- 43. Pipet, serological, 25 mL2066-40
- 44. Graduated Cylinder, 100 mL..... 1896-42



REAGENT CASE BOTTOM

CEL/890 Legend (continued)

1. Alkali Solution	22417-32	20. MolyVer® 1 Powder Pillows	26042-99
2. Calcium & Magnesium Indicator Sol'n	22418-32	21. MolyVer 2 Powder Pillows	26043-99
3. DPD Total Chlorine Powder Pillows for 25-mL samples	14064-99	22. MolyVer 3 Powder Pillows	26044-99
4. DPD Free Chlorine Powder Pillows for 25-mL samples	14070-99	23. Amino Acid F Powder Pillows	22540-69
5. DPD Total Chlorine Powder Pillows for 10-mL samples	21056-69	24. Methylthymol Blue Powder Pillows	22847-99
6. DPD Free Chlorine Powder Pillows for 10-mL samples	21055-69	25. Copper Masking Powder Pillows	26034-49
7. ManVer® 2 Powder Pillows	851-99	26. Porphyrin 1 Powder Pillows	26035-49
8. Acid Reagent Powder Pillows	1042-99	27. Porphyrin 2 Powder Pillows	26036-49
9. Citric Acid Powder Pillows	14548-99	28. Bromcresol Green-Methyl Red Powder Pillows	943-99
10. Ascorbic Acid Powder Pillows	14577-99	29. Molybdate Reagent Powder Pillows	1041-99
11. Potassium Persulfate Powder Pillows	20847-69	30. Goggles, for UV control	21134-00
12. Phenolphthalein Powder Pillows	942-99	31. Buffer Powder Pillows	22992-64
13. FerroVer® Iron Powder Pillows	21057-69	32. Droppers, squeezer type	21247-20
14. PhosVer® 3 Phosphate Powder Pillows	21060-69	33. Chloride 2 Powder Pillows	1057-66
15. Citric Acid for Silica Powder Pillows	21062-69	34. Molybdate Reagent	2236-32
16. ZincoVer® 5 Powder Pillows	21066-69	35. Sulfuric Acid, 5.25 N	2449-32
17. NitriVer® 2 Powder Pillows	21075-69	36. Buffer Solution, Hardness 1	424-32
18. Buffer Powder Pillows, citrate type	21076-69	37. Sulfide 1 Reagent	1816-32
19. Sodium Periodate Powder Pillows	21077-69	38. Sulfide 2 Reagent	1817-32
		39. Amino Acid Reagent	1934-32



FOR TECHNICAL ASSISTANCE, PRICE INFORMATION AND ORDERING:
In USA call 1-800-227-4224. Or contact the authorized HACH office or distributor serving you.