



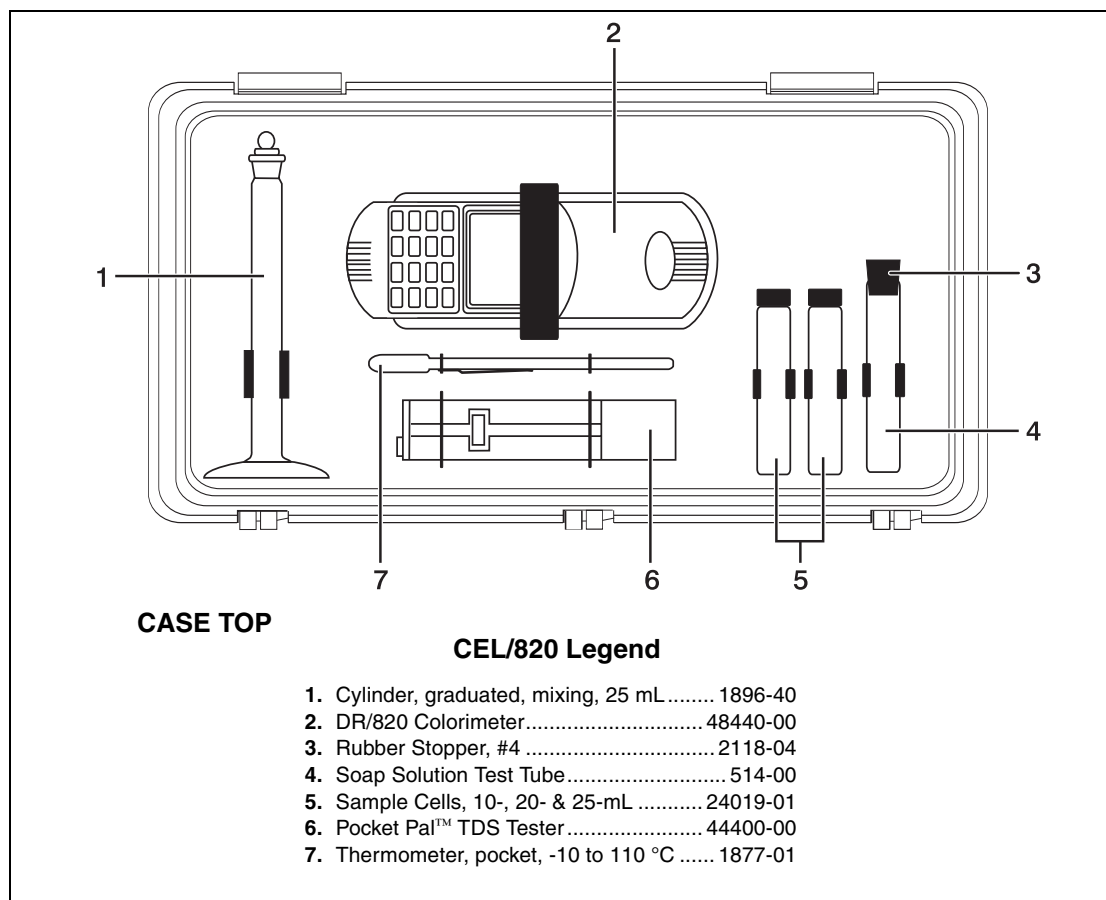
# PACKAGING GUIDE

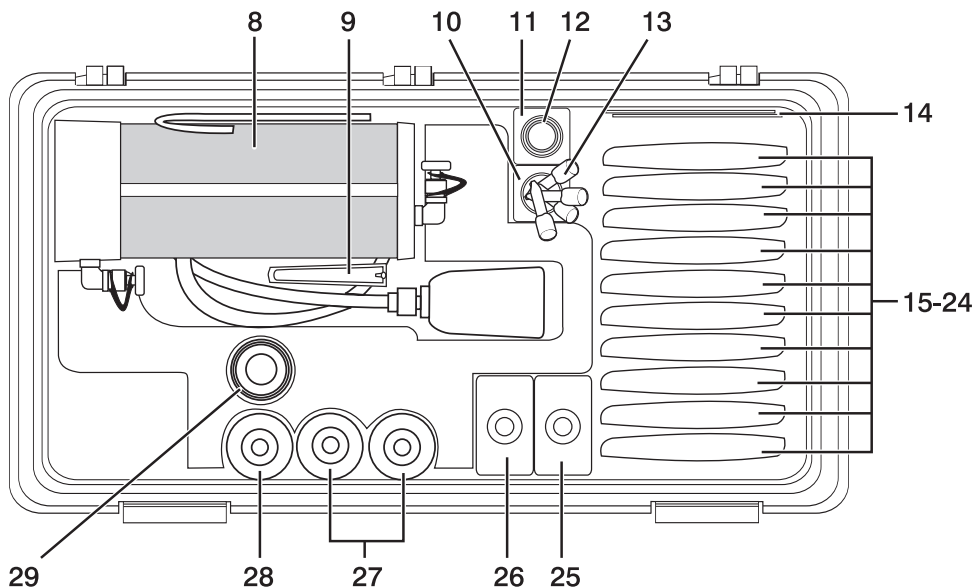
## CEL/820 Water Conditioning Laboratory

This packaging guide will help you arrange the instruments, reagents and equipment included in the CEL/820 Water Conditioning Laboratory. The legend also serves as a materials list; use it to verify that your shipment is complete when you receive it from Hach and to re-order supplies when you need them.

### Included Documentation:

Item Description	Cat No.
Documentation Package, DR/820 Colorimeter.....	48440-77
Includes Instrument and Procedure Manuals	
Instructions, SO-1 Soap Solution Test Kit .....	2253-88
Instructions, AL-AP Alkalinity Drop Count Test Kit .....	24443-89
Instructions, 5-EP Total Hardness Drop Count Test Kit .....	1454-89





**CASE BOTTOM**

**CEL/820 Legend (continued)**

- |   |   |
|---|---|
| <b>8.</b> Water Softener.....30500-03                     | <b>18.</b> DPD Total Chlorine Powder Pillows .....21056-69  |
| <b>9.</b> Clippers, for medium powder pillows .....968-00 | <b>19.</b> FerroVer® Iron Powder Pillows .....21057-69      |
| <b>10.</b> Bottle, square, glass, 29 mL .....439-06       | <b>20.</b> SulfaVer® 4 Sulfate Powder Pillows .....21067-59 |
| <b>11.</b> Bottle, mixing, marked .....2327-06            | <b>21.</b> NitriVer® 3 Powder Pillows.....21071-69          |
| <b>12.</b> Plastic measuring tube .....438-00             | <b>22.</b> NitraVer 6® Nitrate Powder Pillows .....21072-59 |
| <b>13.</b> Dropper, LPDE, 0.5 & 1.0 mL .....21247-20      | <b>23.</b> Buffer, citrate type .....21076-69               |
| <b>14.</b> Instructions, 5-EP Hardness .....1454-89       | <b>24.</b> Sodium Periodate Powder Pillows .....21077-69    |
| Instructions, SO-1 Soap Test2253-88                       | <b>25.</b> Sulfuric Acid, 0.035 N .....23497-32             |
| Instructions, AL-AP Alkalinity24443-89                    | <b>26.</b> EDTA Standard Solution, 0.035 N .....23499-32    |
| <b>15.</b> Phenolphthalein Powder Pillows.....942-99      | <b>27.</b> Phenol Red Indicator .....26575-12               |
| <b>16.</b> Bromocresol Green-Methyl Red                   | <b>28.</b> Soap Test Solution.....462-12                    |
| Powder Pillows943-99                                      | <b>29.</b> COD/TNT Adapter, DR/800 .....48464-00            |
| <b>17.</b> UniVer 3 Powder Pillows .....962-99            |   |



**FOR TECHNICAL ASSISTANCE, PRICE INFORMATION AND ORDERING:**  
**In USA call 1-800-227-4224. Or contact the authorized HACH office or distributor serving you.**