

Micron EchoSounder DST

Features

- Ultra compact professional altimeter
- Analogue and digital output
- Millimetric resolution
- Integrates with the 'Micron DST' family of sonars and tracking systems
- Depth rating 750m
- Laptop control
- Low cost

Applications

- ROV and AUV auto-altitude
- Subsea ranging device
- Seabed scour monitoring
- Optimised for small vehicles

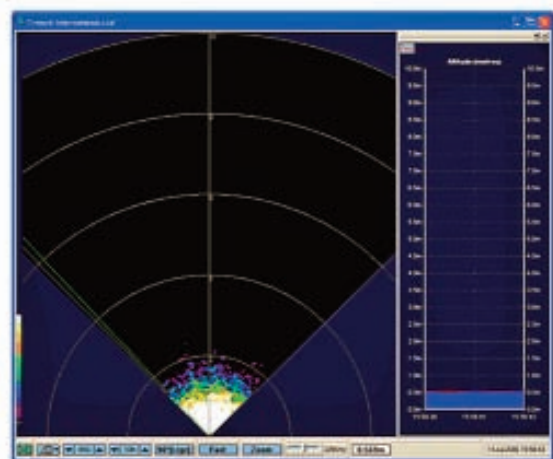
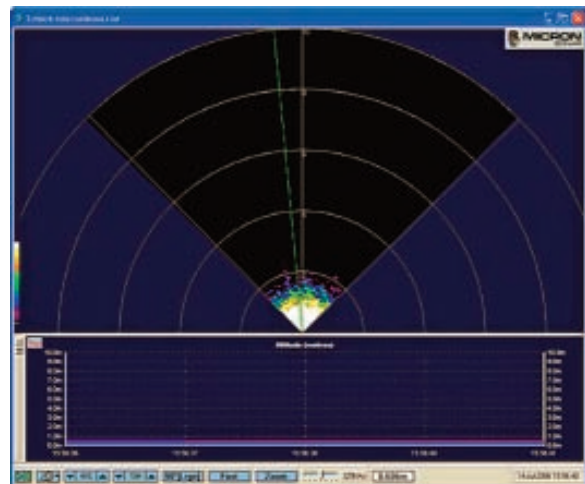


The Tritech Micron EchoSounder DST (Digital Sonar Technology) is an addition to the successful family of Micron DST products. Following the ground-breaking Micron imaging sonar, this product sets new standards in ultra compact sonar technology.

Designed to be complementary to the Micron DST sonar, it can also act as a stand-alone altimeter, providing accurate height off the seabed and other subsea distance measurements.

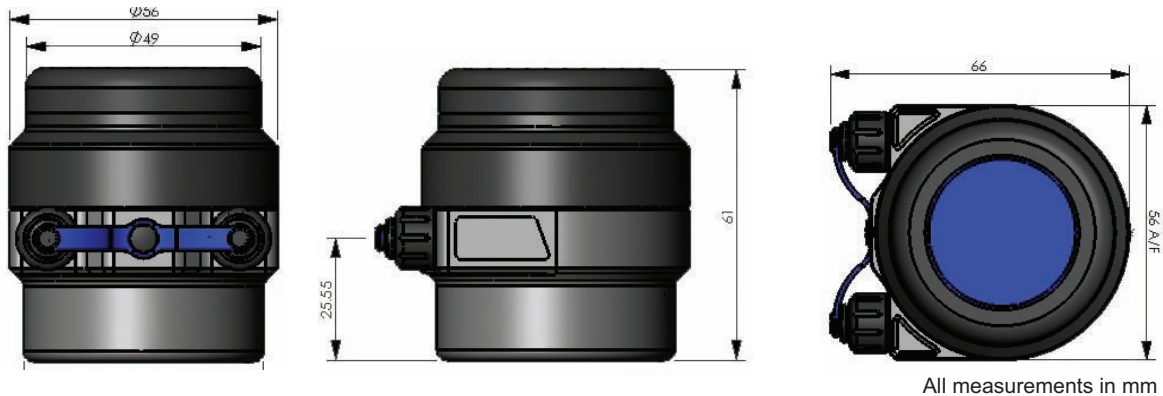
The Micron EchoSounder DST is a robust professional offshore or freshwater altimeter, built to the highest quality standards. It is optimised for operation on small vehicles, as it is both compact and very lightweight in water.

It is an ideal OEM product, being able to accommodate a wide range of voltage inputs.



Micron Echo Sounder display within sonar application

Specifications



Operating Frequency	500KHz
Beamwidth	6° conical (at 500KHz)
Operating Range	50m (160ft)
Power Requirements	12V to 50VDC @ 3.5 VA
Digital Resolution	1mm
Analogue Output	0-5V, 1-50m
Data Communication	RS485 (Standard interface for Micron aux. port) RS232 (Stand alone option)
Output Format	ASCII, NMEA, DBT
Topside Control	Customer supplied PC or Laptop using standard serial communications port with Windows 98, 2000, XP or Vista operating system.
Maximum diameter	56mm
Maximum height	59mm
Weight in air	200 grams
Operational Depth	750m (2,460ft) standard
Operating Temperature	-10°C to +35°C
Storage Temperature	-20°C to +50°C

All specifications are subject to change in line with Tritech's policy of continual product development.

Ref: EDS-ALT-003.4