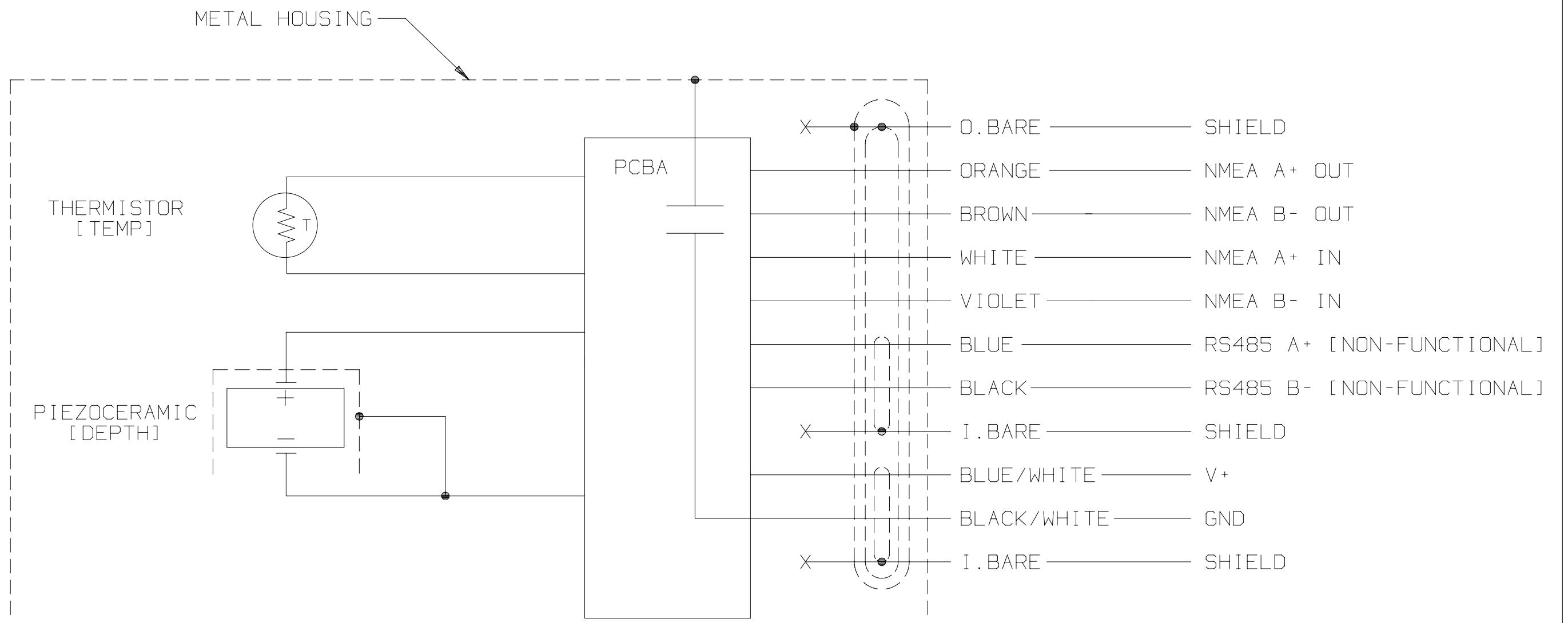


THIRD ANGLE PROJECTION		REVISIONS				
		REV	DESCRIPTION	ECO NO	DATE	CHG/CHK
		01	RELEASE TO PRODUCTION.	13320	01/06/16	MMC/CDS
		02	UPDATE NMEA WIRE SIGNAL NAMES TO MATCH OTHER WIRING DIAGRAMS	15123	04/11/18	MMC/CDS



NOTES:

- BRAID WIRE IS CUT OFF ON BOTH ENDS.
- OUTER AND INNER BARE WIRES ARE CUT OFF INSIDE THE TRANSDUCER.

UNLESS OTHERWISE SPECIFIED	SIGNATURE	DATE	AIRMAR TECHNOLOGY CORPORATION 35 MEADOWBROOK DR MILFORD NH 03055-4613 USA TEL: 603-673-9570 FAX: 603-673-4624
DIMENSIONS ARE IN INCHES	ORIGINATOR J. JEFFERS	07/26/12	
TOLERANCES ON	DRAWN A. BIATHROW	07/26/12	
2 PL DECIMALS ±0.02	CHECKED J. JEFFERS	08/13/12	
3 PL DECIMALS ±0.005	APPROVED C. SMITH	08/29/12	TITLE
ANGLES ± 1/2°			WIRING, IDT, PCBA, C304, NC, [SS510] ECHORANGE, RS422 NMEA0183
FRACTIONS ± 1/32			SIZE
SURFACE FINISH 53			B
MATERIAL	CABLE 06-304		SCALE: NONE
			NUMBER
			91-1100 REV 02
			SHEET 1 OF 1