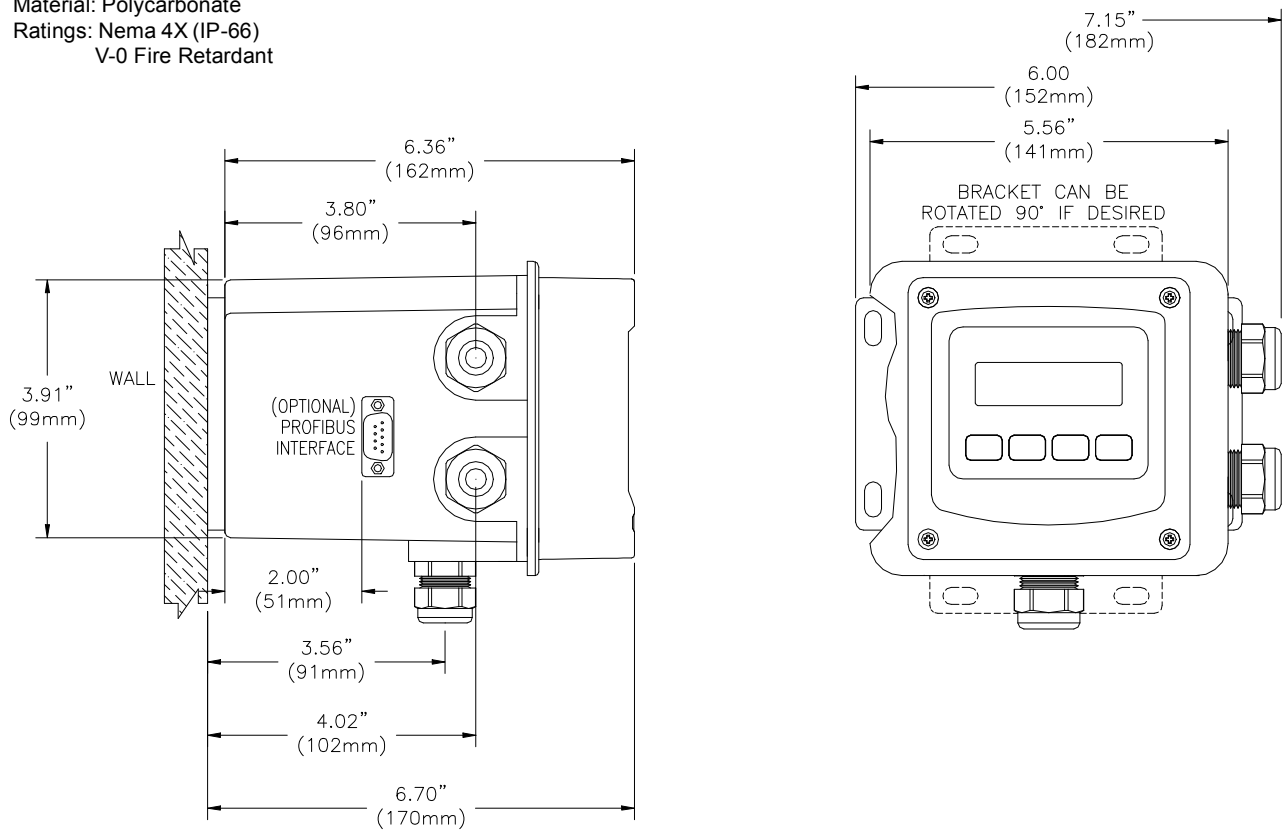


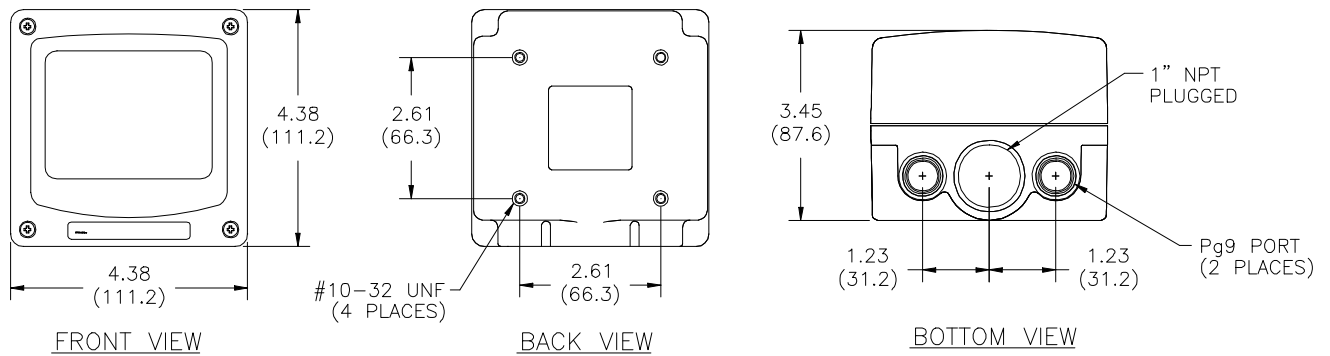
ANALYZER DIMENSIONS (WALL MOUNT SHOWN)

Material: Polycarbonate
 Ratings: Nema 4X (IP-66)
 V-0 Fire Retardant



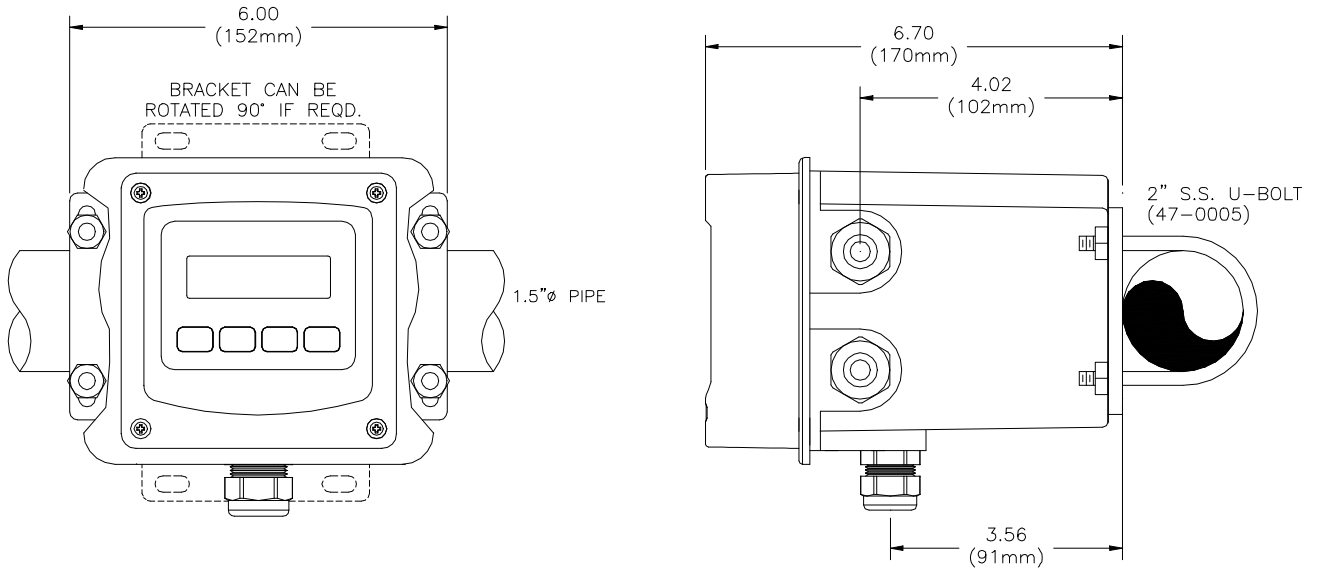
ATI-0926

JUNCTION BOX



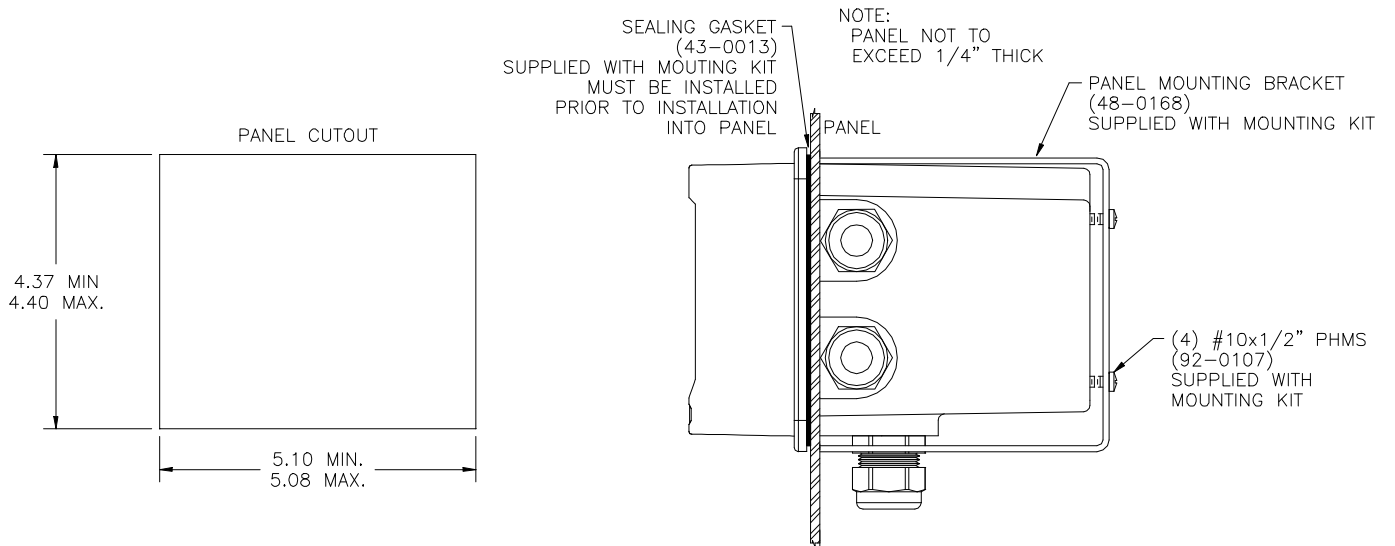
ATI-0655

PIPE MOUNTING



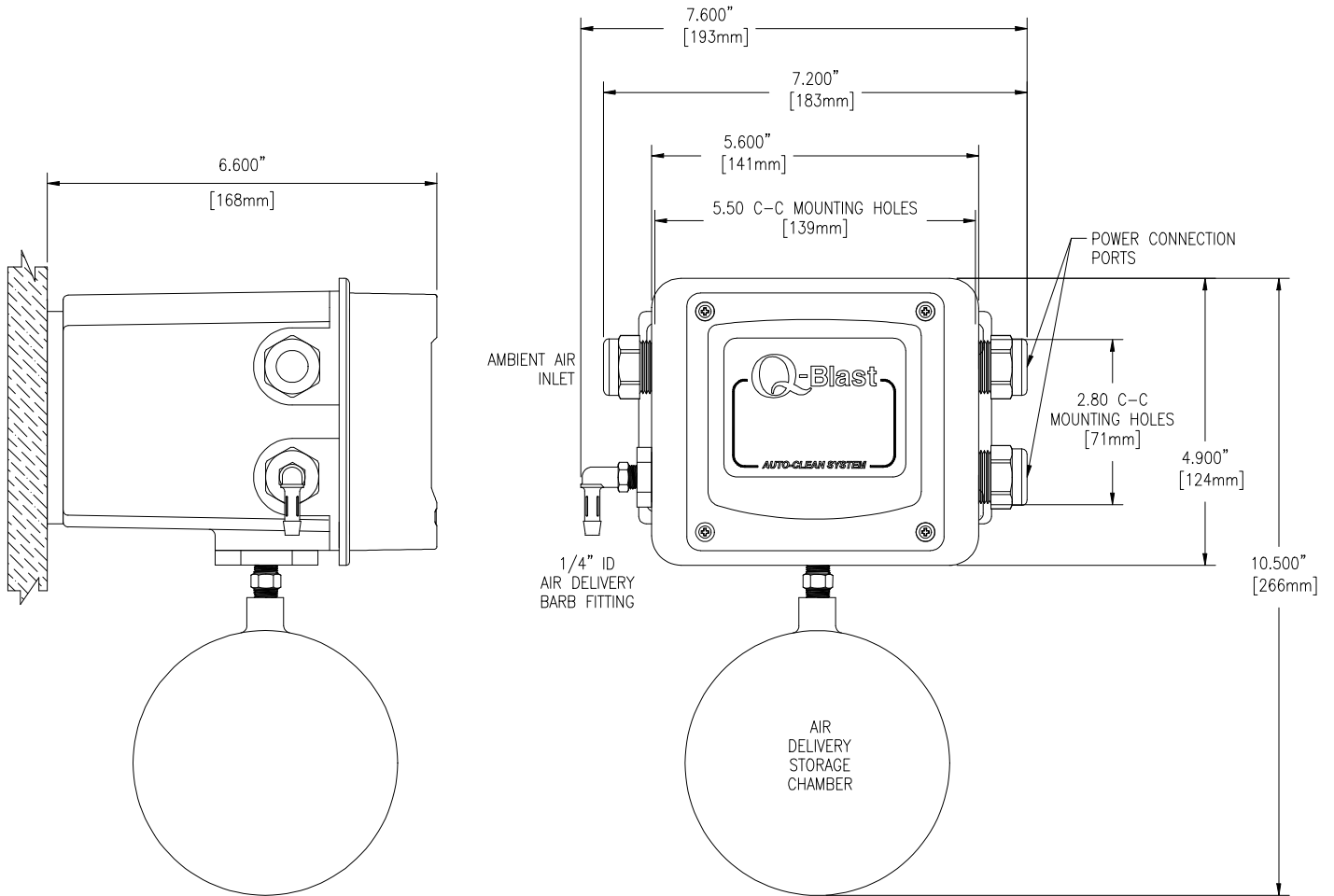
ATI-0927

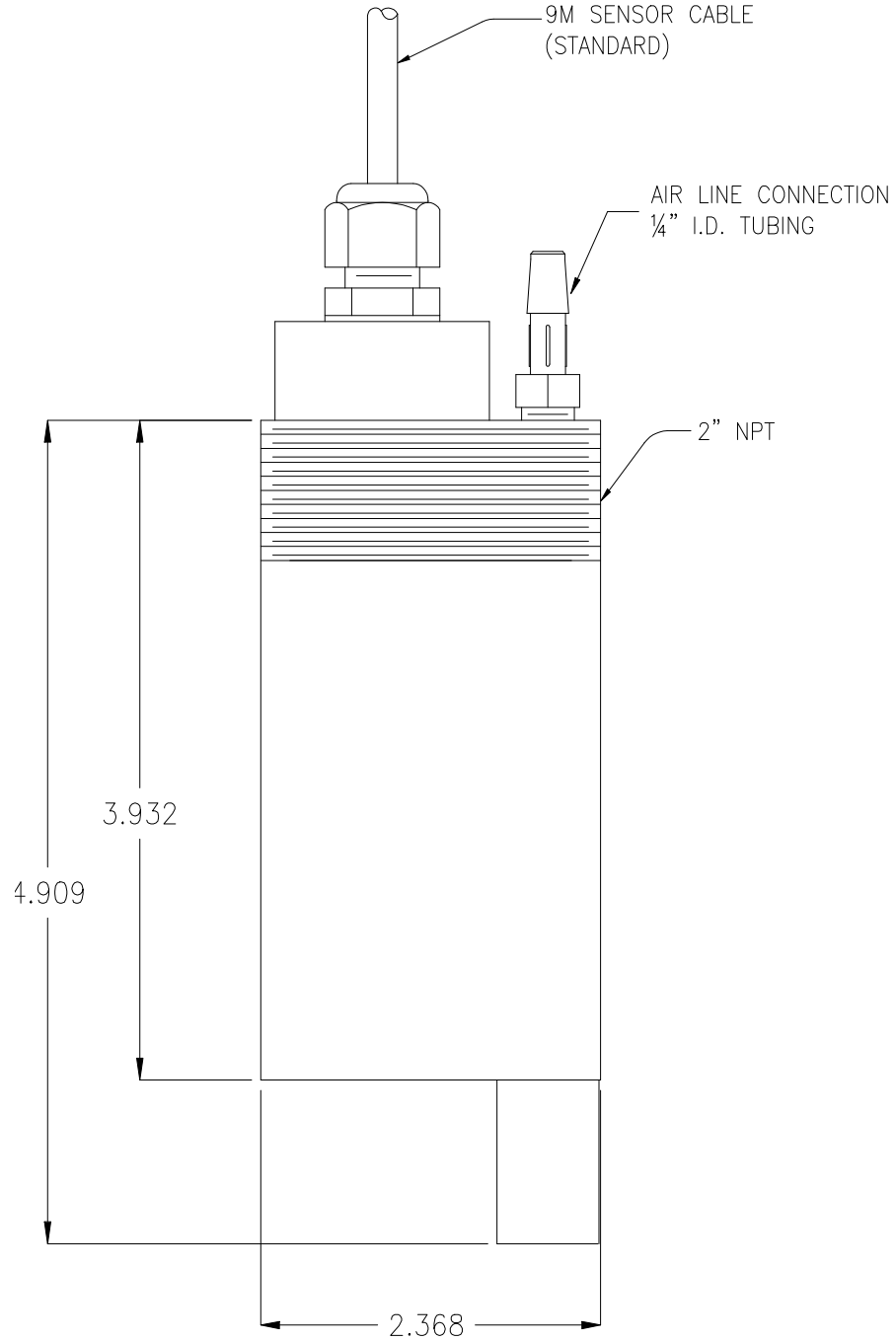
PANEL MOUNTING DIAGRAM



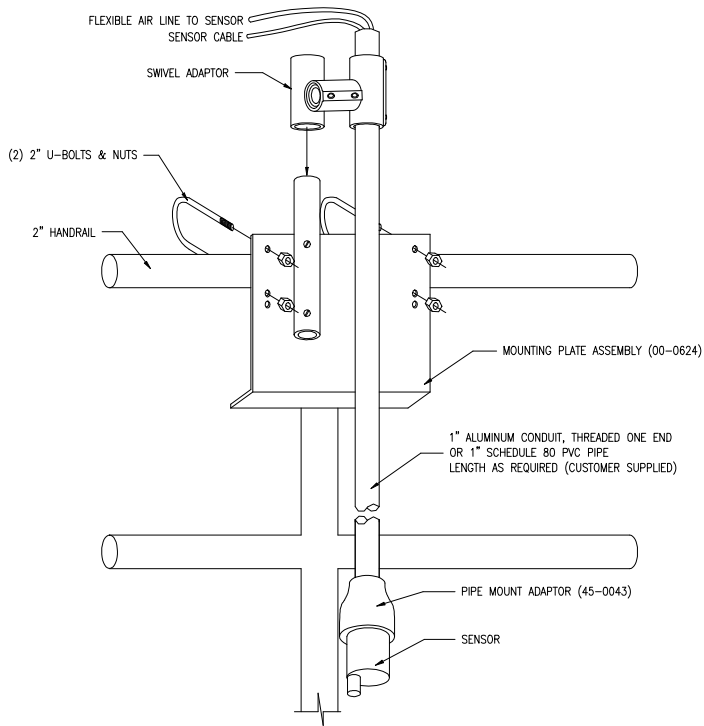
ATI-0928

AIR-BLAST ASSEMBLY



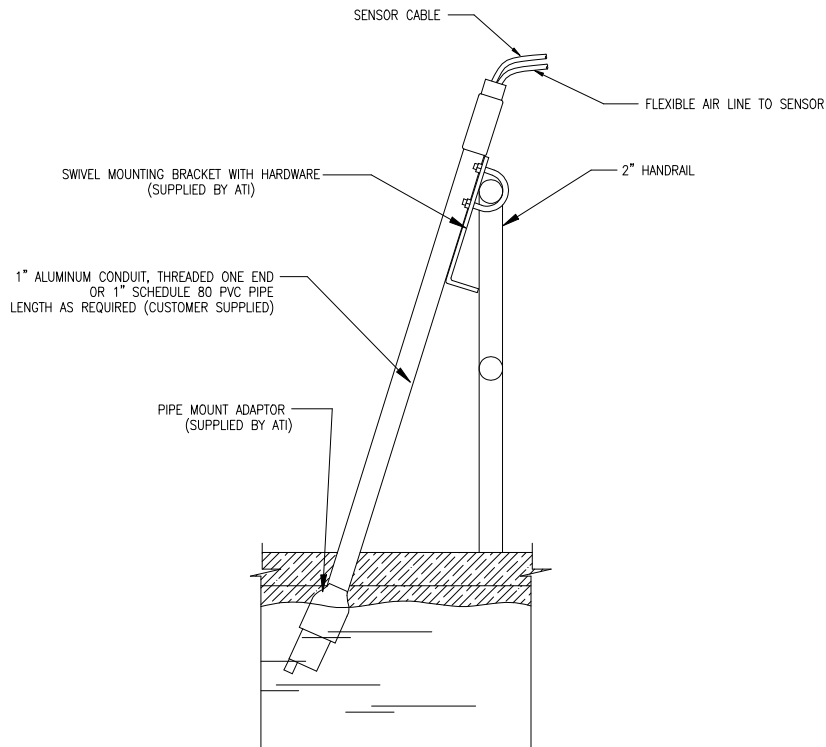
9M AUTO-CLEAN SUSPENDED SOLIDS SENSOR (63-0110)

SUBMERSIBLE SENSOR DIMENSIONS & INSTALLATION



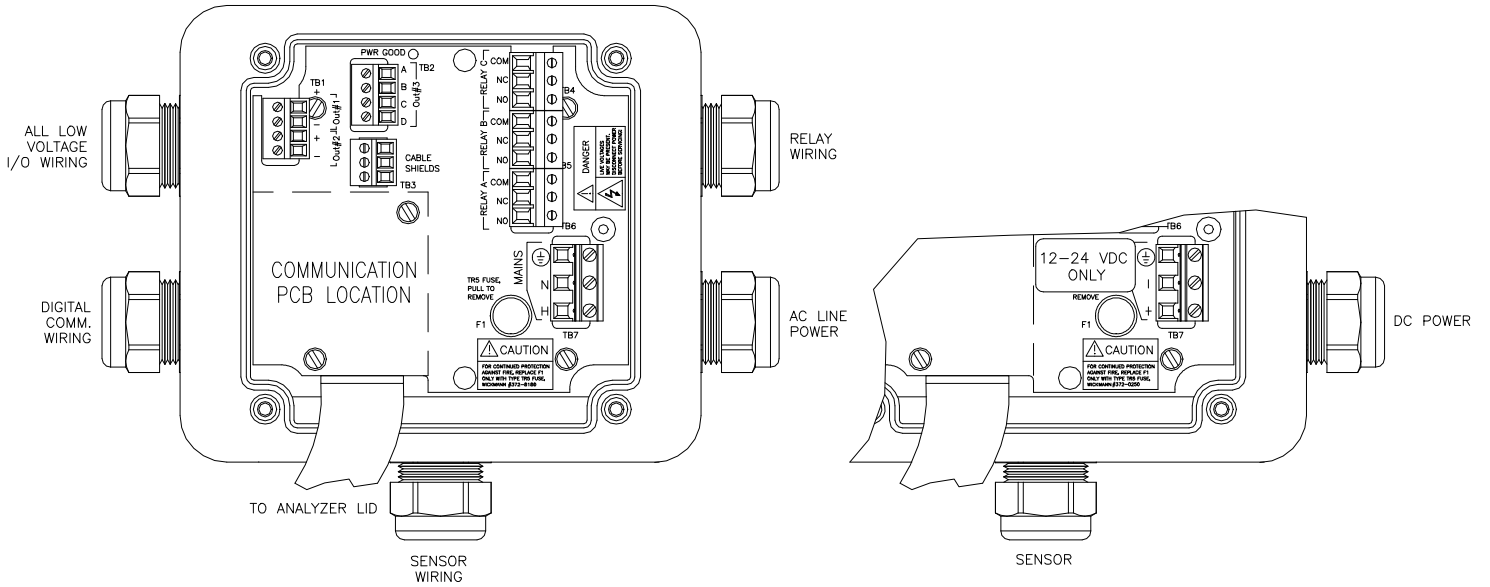
ATI-0873

SENSOR HANDRAIL INSTALLATION

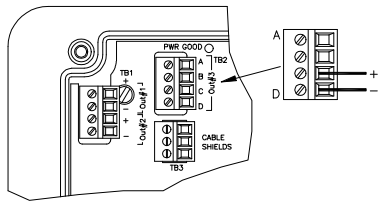


ATI-0872

POWER, RELAY, AND OUTPUT CONNECTIONS

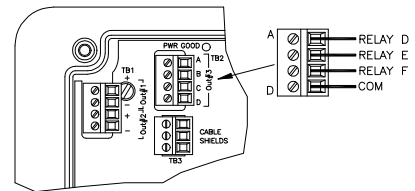


Optional Analog Output Wiring

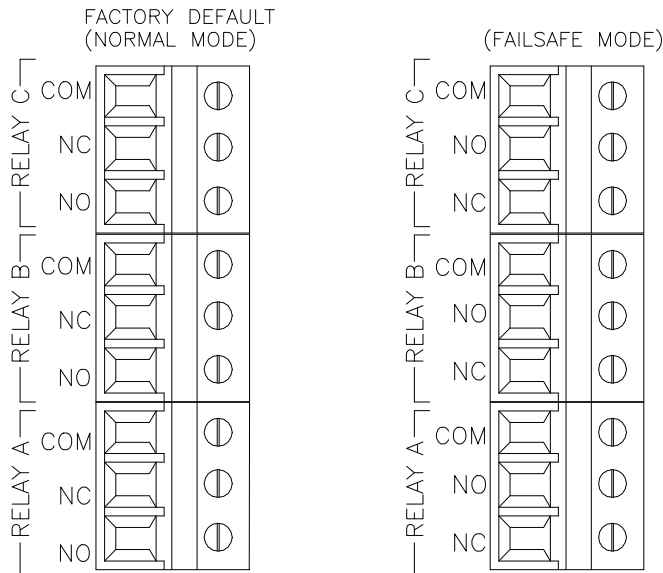


ATI-0930, 0932, 0933

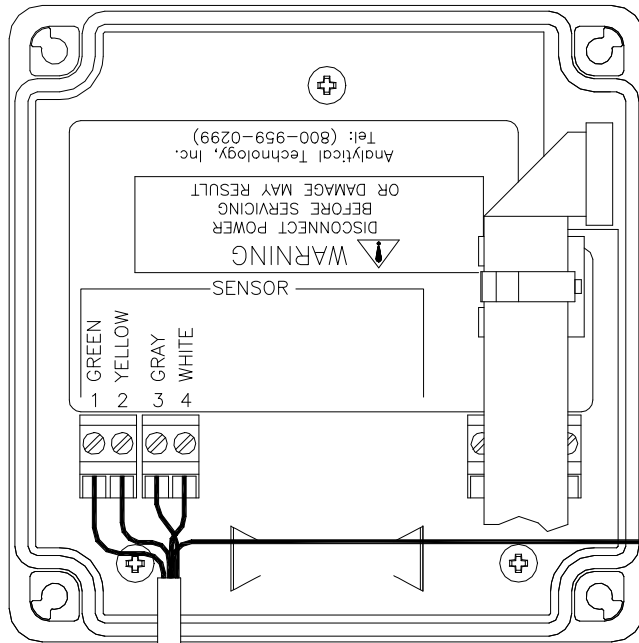
Optional Relay Board Wiring (30V Max.)



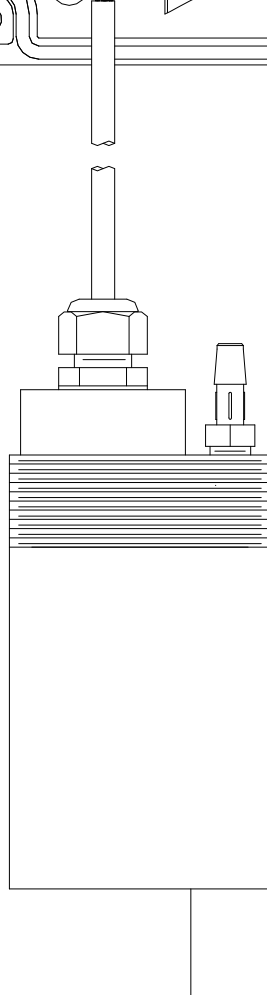
RELAY WIRING TB4,5,6 DETAIL



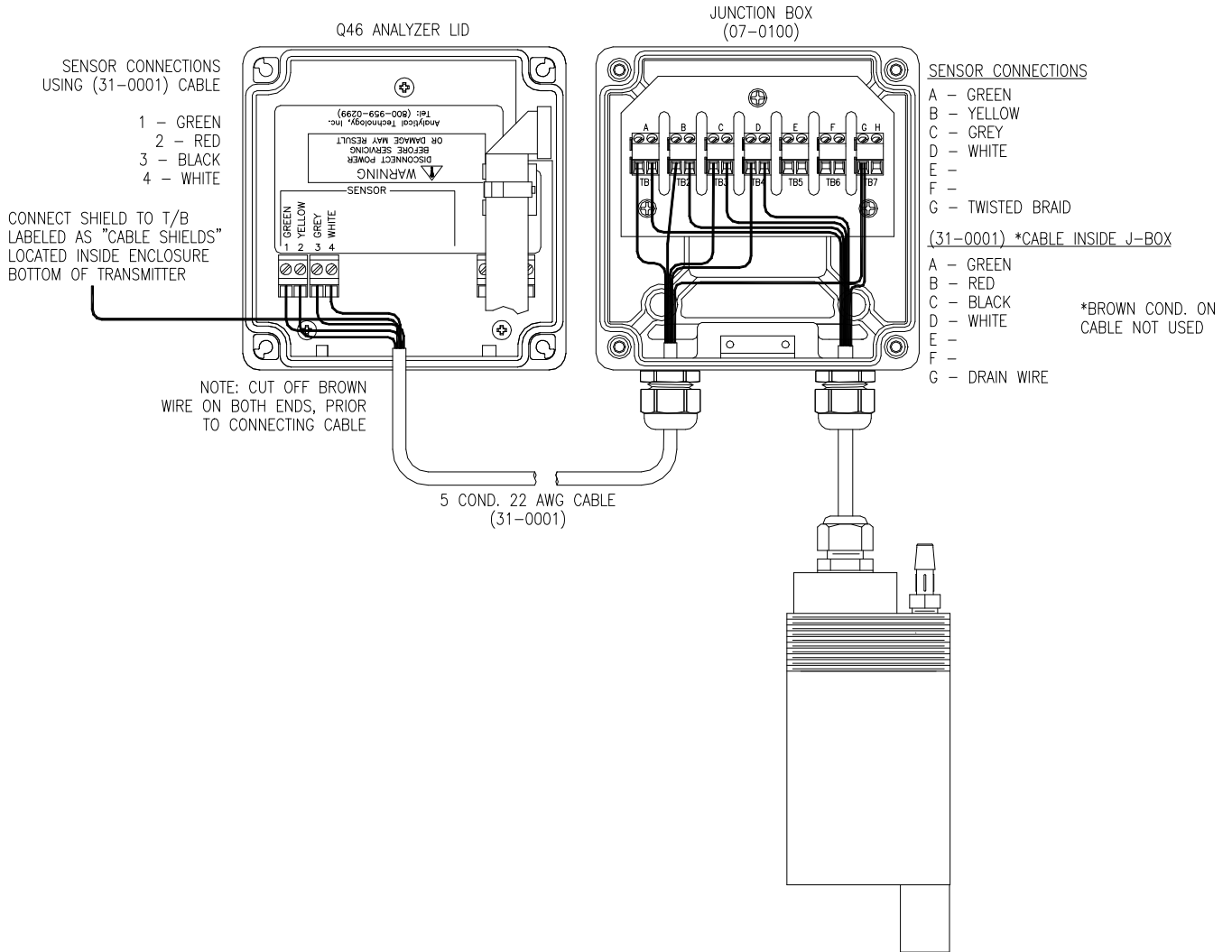
ATI-0931

SENSOR CONNECTIONS

CONNECT SHIELD TO T/B
LABELED AS "CABLE SHIELDS"
LOCATED INSIDE ENCLOSURE BOTTOM
OF TRANSMITTER

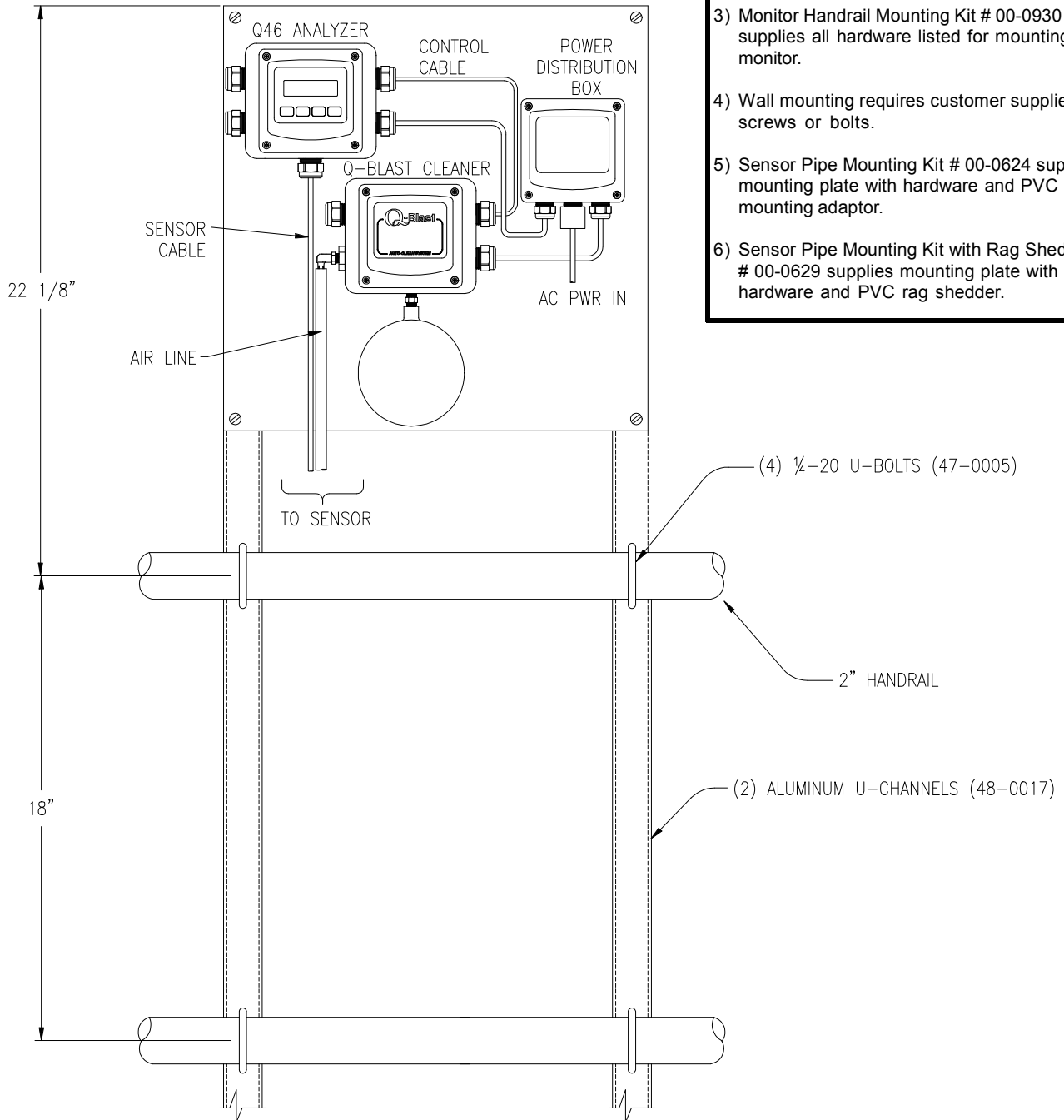


SENSOR CONNECTIONS - REMOTE JUNCTION BOX



MONITOR HANDRAIL INSTALLATION

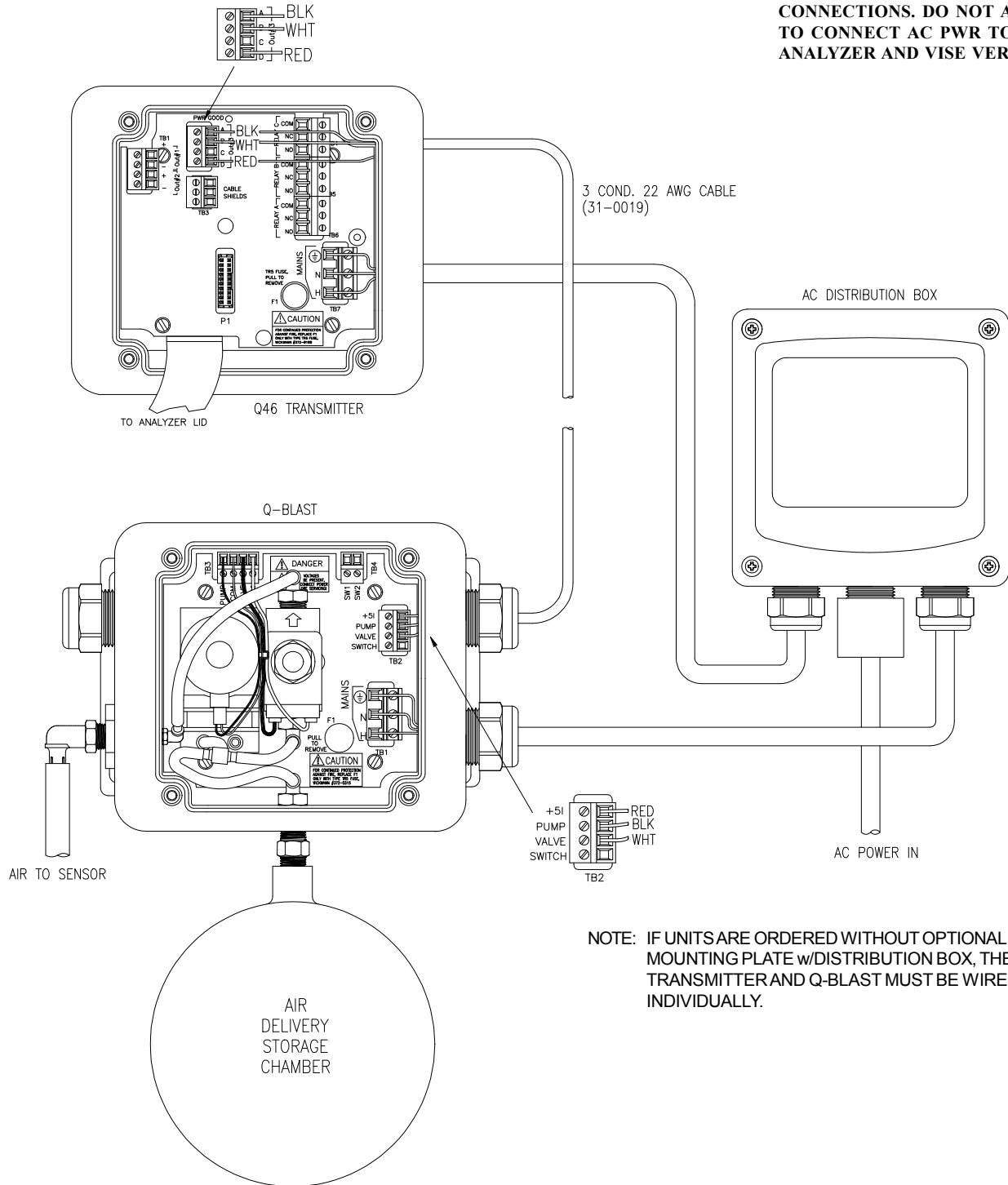
NOTES



- 1) Always mount sensor cleaner within 25 ft. of sensor if possible. Maximum air line distance is 50 ft.
- 2) Sun shade over monitor is recommended in hot climates.
- 3) Monitor Handrail Mounting Kit # 00-0930 supplies all hardware listed for mounting monitor.
- 4) Wall mounting requires customer supplied screws or bolts.
- 5) Sensor Pipe Mounting Kit # 00-0624 supplies mounting plate with hardware and PVC pipe mounting adaptor.
- 6) Sensor Pipe Mounting Kit with Rag Shedder # 00-0629 supplies mounting plate with hardware and PVC rag shedder.

AUTOCLEAN SYSTEM - ELECTRICAL WIRING

NOTE: DC ANALYZER PWR INPUTS INDICATE "+" AND "-" FOR INPUT CONNECTIONS. DO NOT ATTEMPT TO CONNECT AC PWR TO A DC ANALYZER AND VISE VERSA



NOTE: IF UNITS ARE ORDERED WITHOUT OPTIONAL MOUNTING PLATE w/DISTRIBUTION BOX, THE TRANSMITTER AND Q-BLAST MUST BE WIRED INDIVIDUALLY.