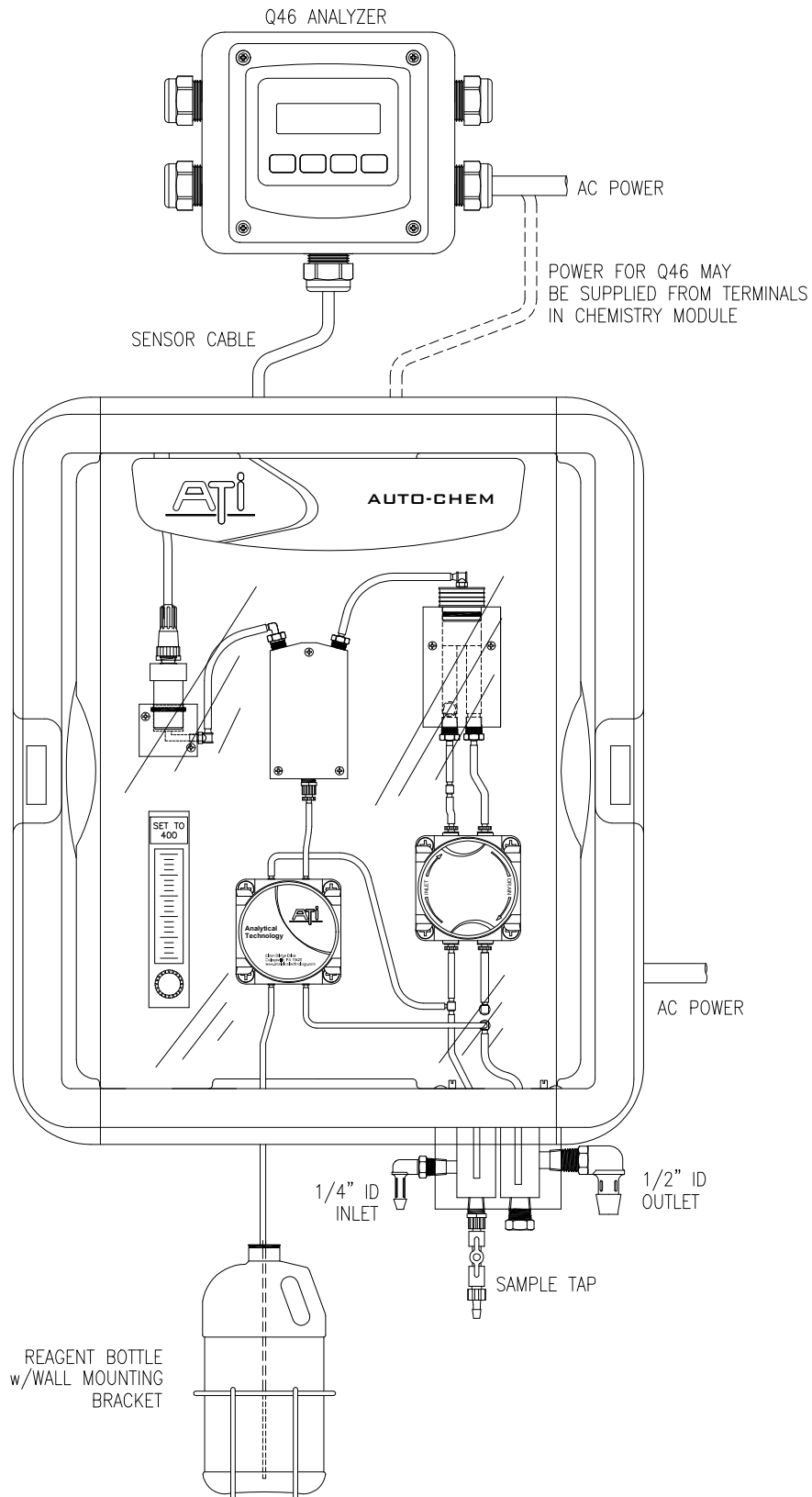
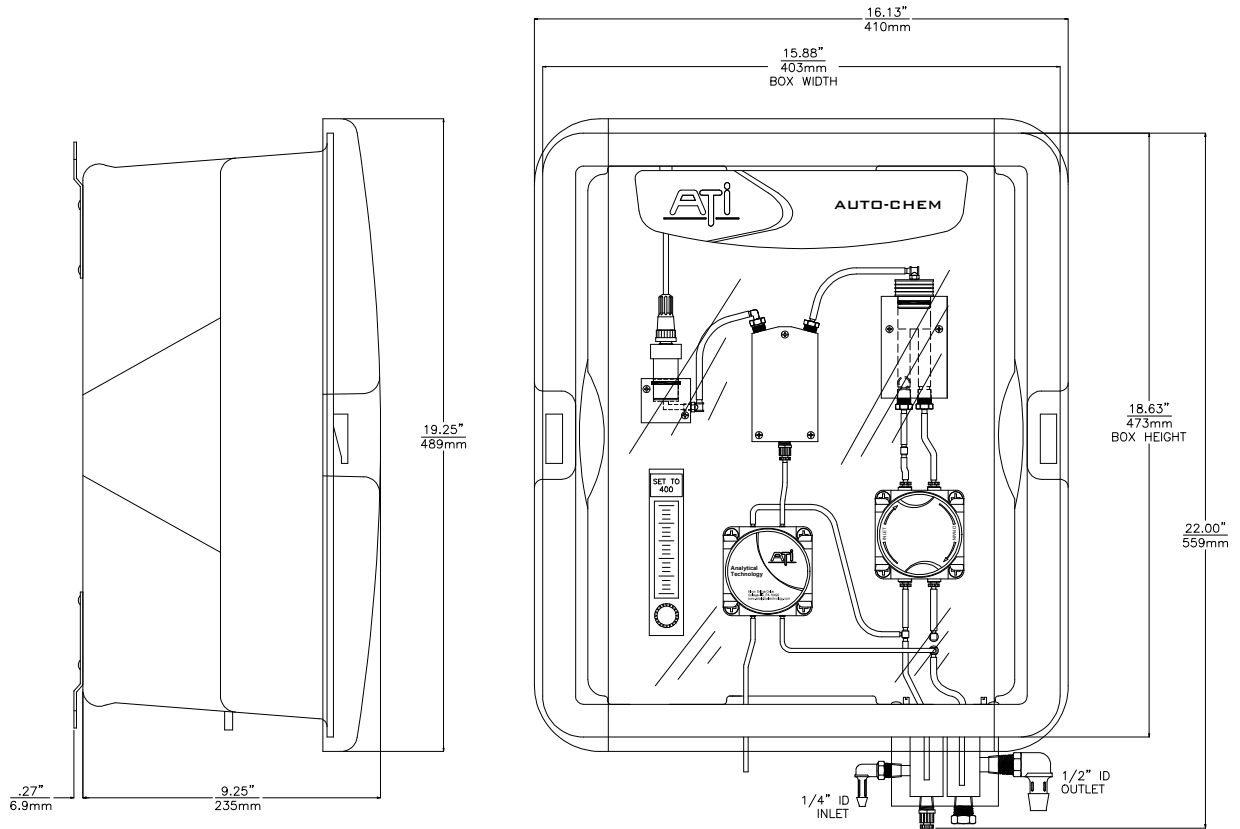


**TYPICAL SYSTEM DIAGRAM**



ATI-1003

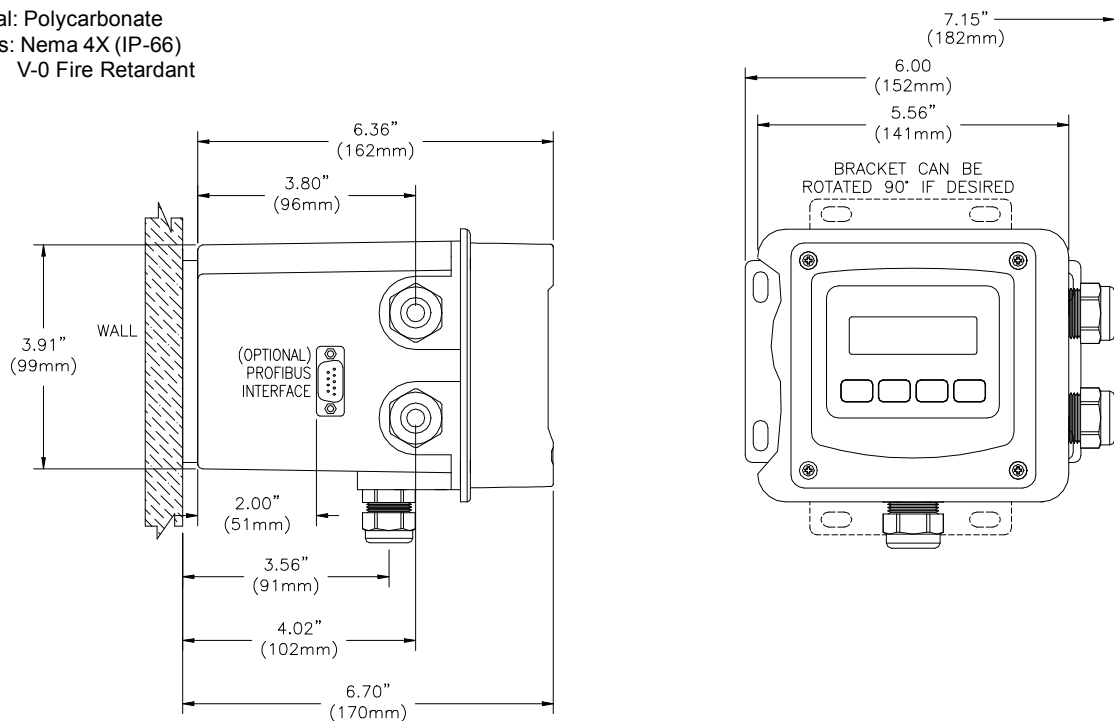
**CHEMISTRY MODULE DIMENSIONAL**



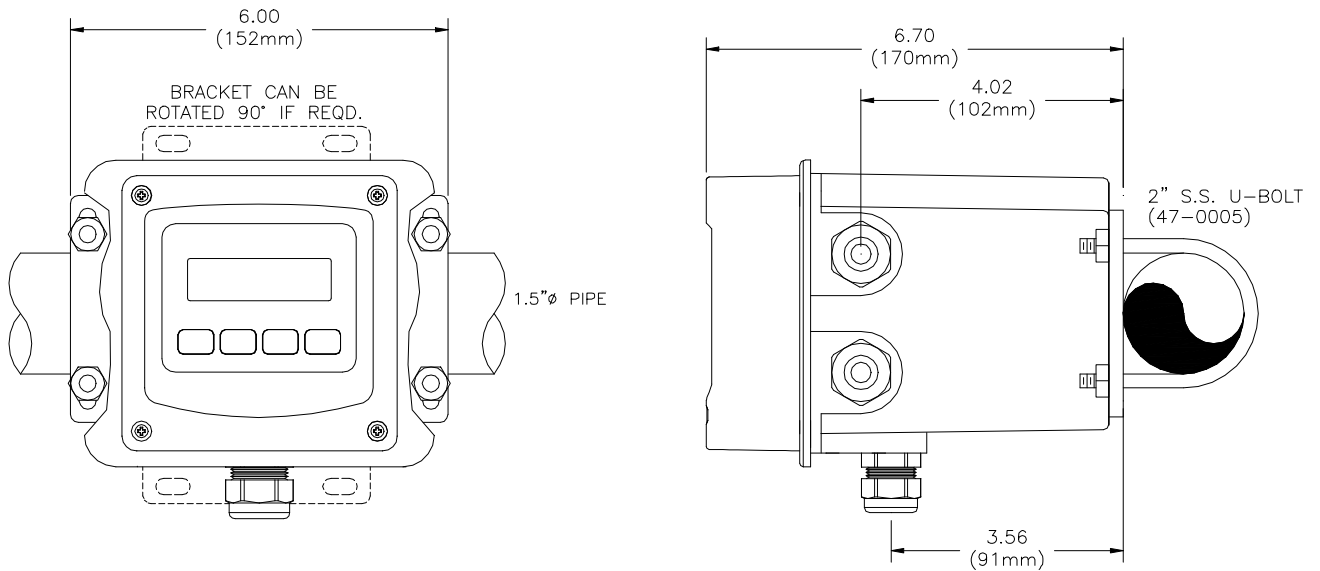
ATI-0998

**ANALYZER DIMENSIONS (WALL MOUNT SHOWN)**

Material: Polycarbonate  
 Ratings: Nema 4X (IP-66)  
 V-0 Fire Retardant

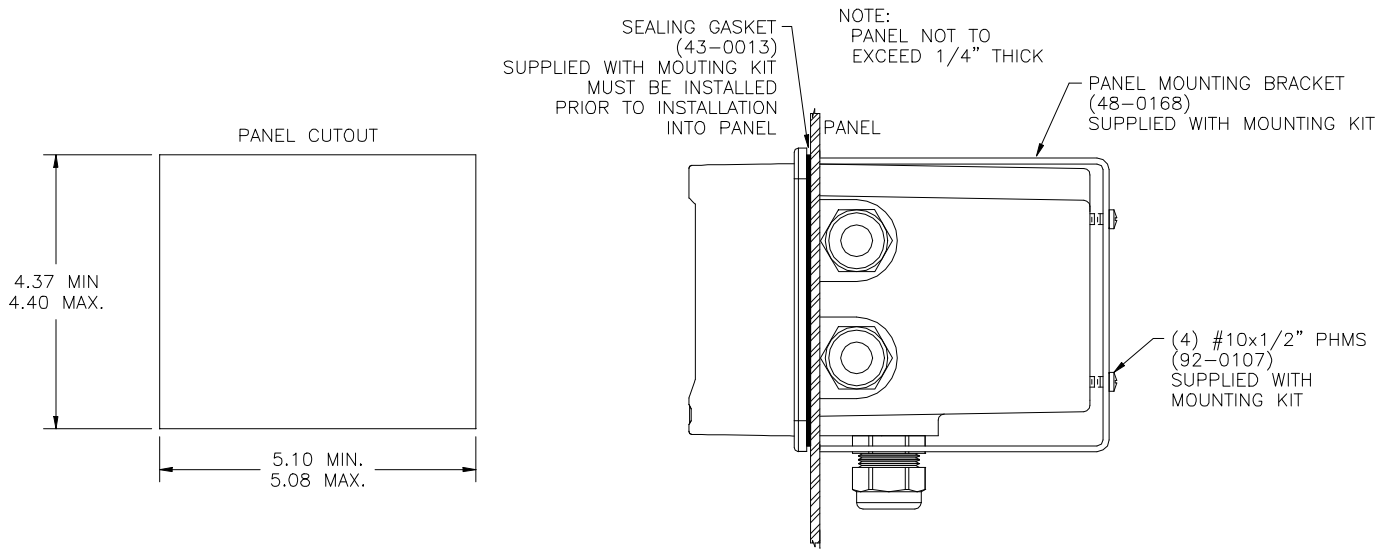


**PIPE MOUNTING**



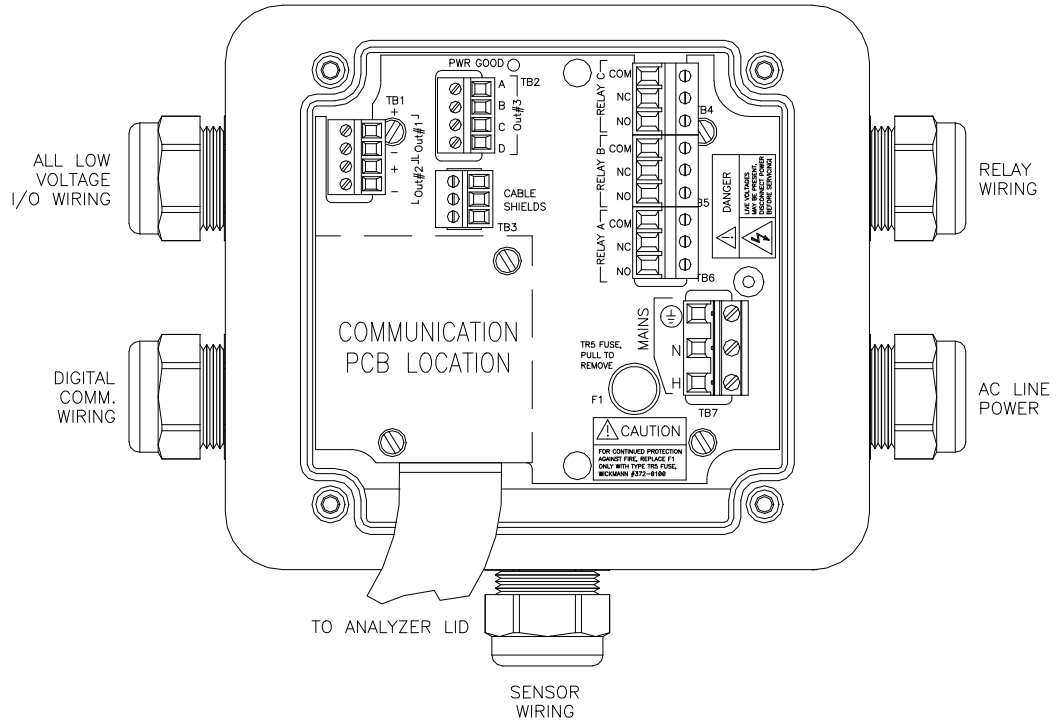
ATI-0927

**PANEL MOUNTING**



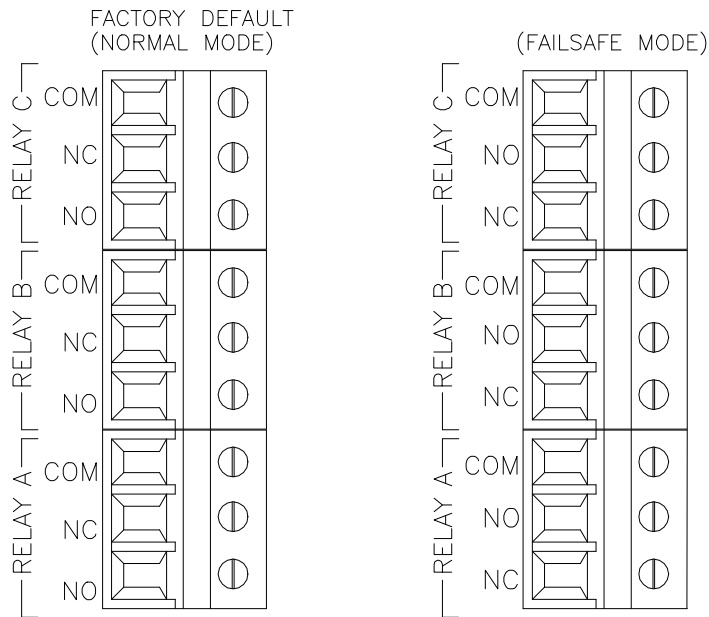
ATI-0928

**POWER AND RELAY CONNECTIONS**



ATI-0930

**RELAY WIRING TB4,5,6 DETAIL**



ATI-0931

**CUSTOMER CONNECTIONS**

