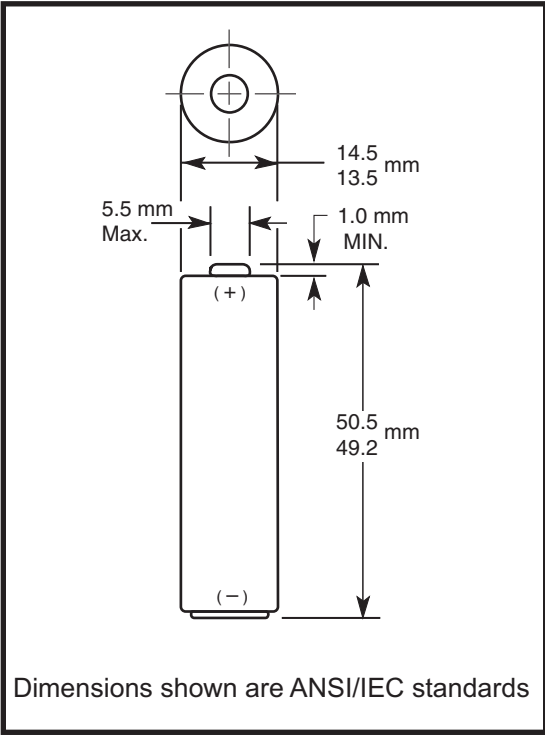




**MN1500**  
**Size: AA (LR6)**

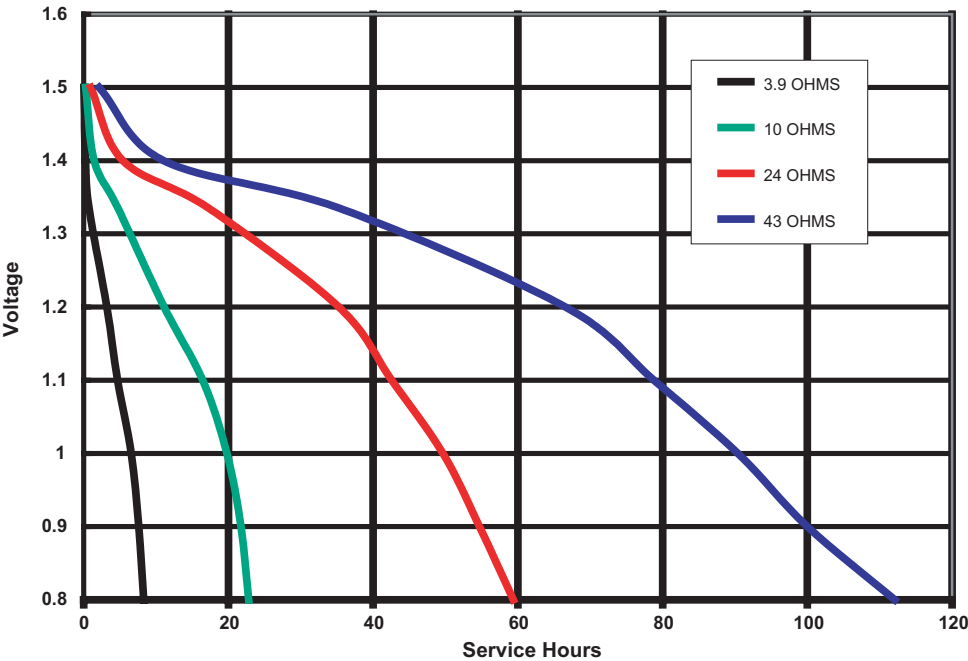
**Zn/MnO<sub>2</sub>**

# Alkaline-Manganese Dioxide Battery



<b>Nominal Voltage:</b>	1.5 V
<b>Nominal Internal Impedance:</b>	120 m-ohm @ 1kHz
<b>Average Weight:</b>	24 gm (0.84 oz.)
<b>Volume:</b>	8.4 cm <sup>3</sup> (0.51 in. <sup>3</sup> )
<b>Terminals:</b>	Flat
<b>Operating Temperature Range:</b>	-20°C to 54°C (-4°F to 130°F)
<b>ANSI:</b>	15A
<b>IEC:</b>	LR6

TYPICAL DISCHARGE CHARACTERISTICS AT 21°C (70°F)



\* Delivered capacity is dependent on the applied load, operating temperature and cut-off voltage. Please refer to the charts and discharge data shown for examples of the energy / service life that the battery will provide for various load conditions.

This data is subject to change. Performance information is typical. Contact Duracell for the latest information

UACP

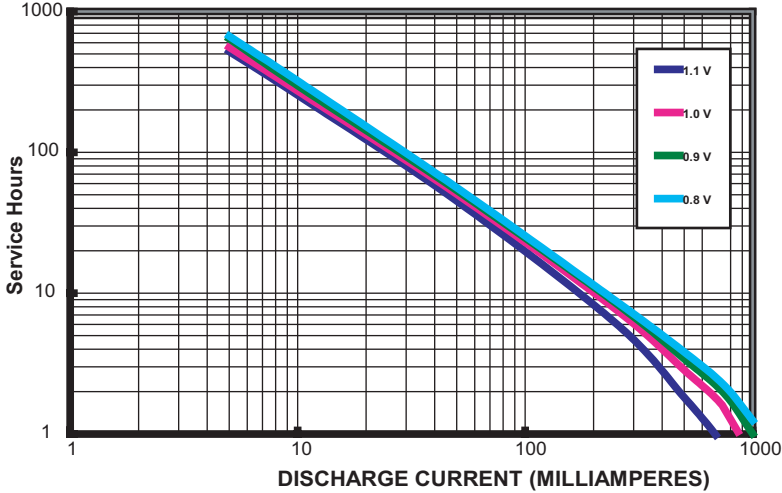


MN1500  
Size: AA (LR6)

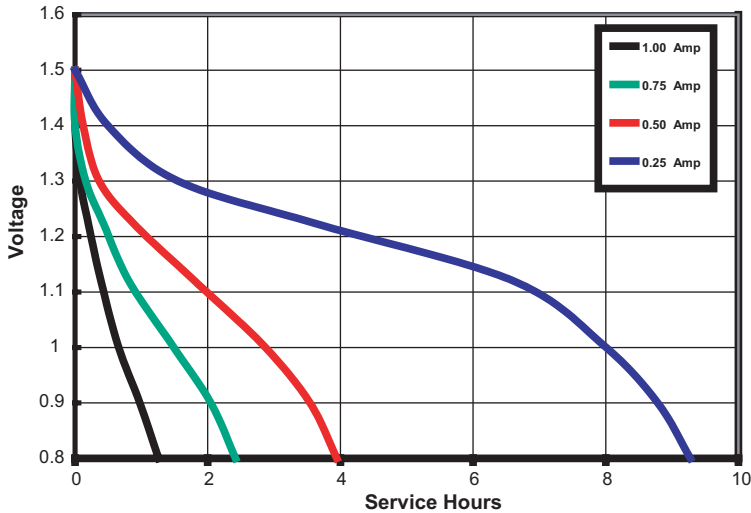
Zn/MnO<sub>2</sub>

# Alkaline-Manganese Dioxide Battery

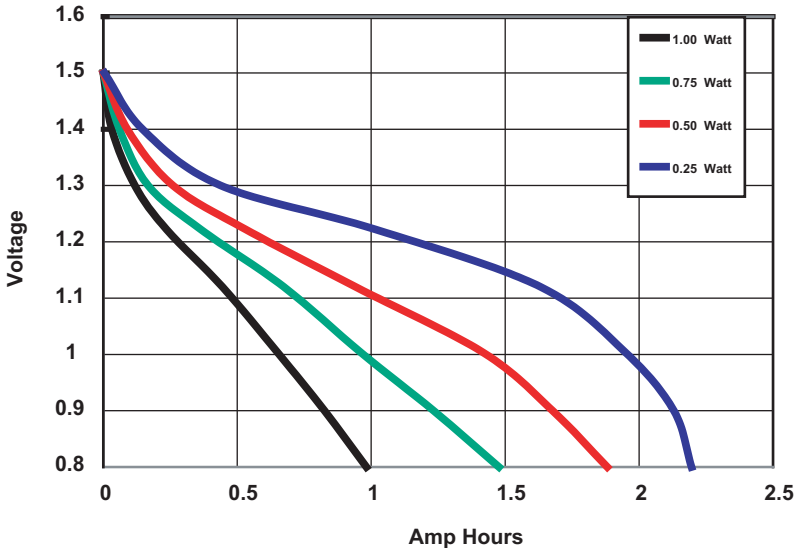
TYPICAL CONSTANT CURRENT DISCHARGE CHARACTERISTICS AT 21°C (70°F)



TYPICAL DISCHARGE CHARACTERISTICS AT 21°C (70°F)



TYPICAL DISCHARGE CHARACTERISTICS AT 21°C (70°F)



## DURACELL®

BATTERIES

Berkshire Corporate Park  
Bethel, CT 06801 U.S.A.  
Telephone: Toll-free 1-800-544-5454  
Internet: [www.duracell.com](http://www.duracell.com)

\* Delivered capacity is dependent on the applied load, operating temperature and cut-off voltage. Please refer to the charts and discharge data shown for examples of the energy / service life that the battery will provide for various load conditions.

This data is subject to change. Performance information is typical. Contact Duracell for the latest information

UACP