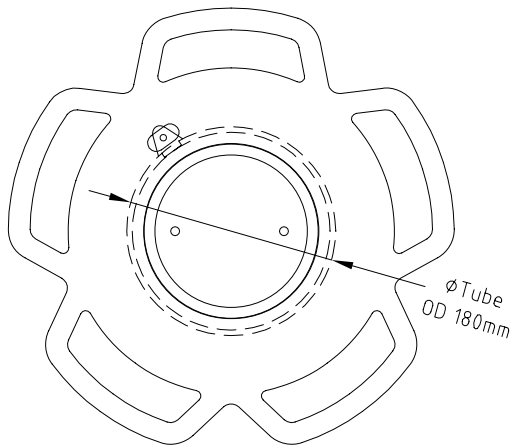
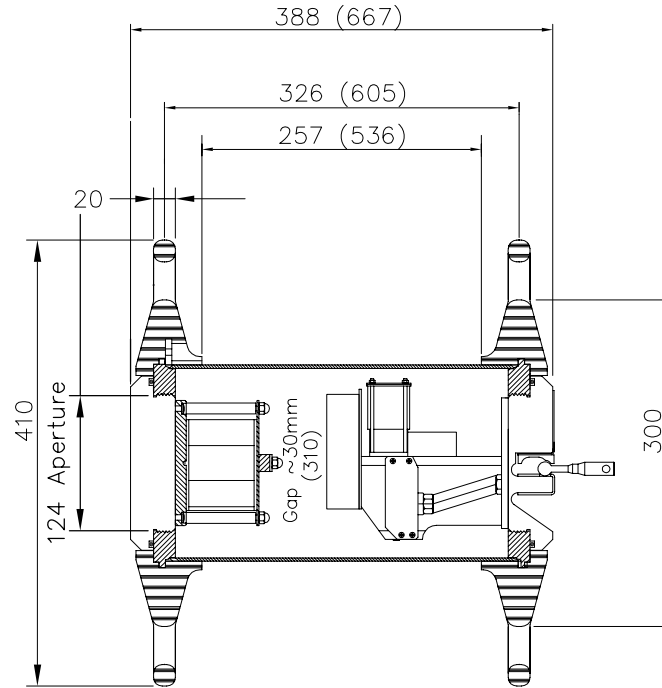


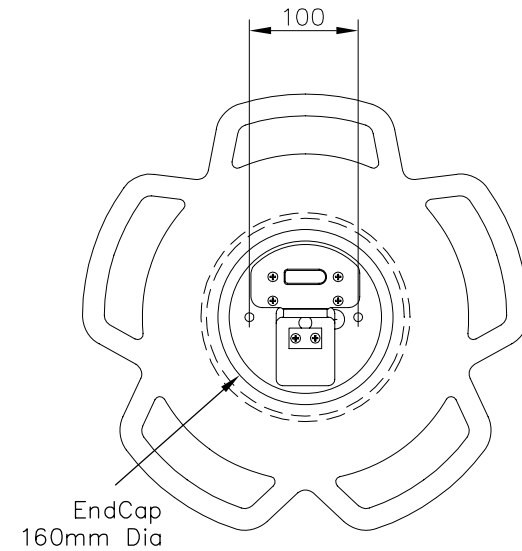
ACOUSTIC MODEL FIOBUOY – 100m (200m)



ACOUSTIC END VIEW



CROSS SECTION



MECHANISM END VIEW

- All Dimensions in mm
- Dimensions in (Brackets) apply to 200m Model

FIOMARINE ABN: 91 442 031 533
 Ph (03) 6272 6167 FAX: (03) 6272 6264
 www.fiomarine.com

FIOMARINE INDUSTRIES PTY LIMITED
 30-38 Innovation Drv.
 Glenorchy 7010
 Tasmania AUSTRALIA



| REV. | DATE | REVISION DESCRIPTION | DRN. | C/R No. |
|------|------|----------------------|------|---------|
| | | | | |
| | | | | |
| | | | | |
| | | | | |
| | | | | |
| | | | | |
| | | | | |
| | | | | |
| | | | | |

REVISIONS

TITLE: FIOBUOY – 100 METRE
 ACOUSTIC MODEL – STANDARD
 OVERALL ASSEMBLY

CLIENT: FIOMARINE AutoCAD
 DRAWN: 9 July 08 SCALE:
 CHECK: THIRD ANGLE PROJECTION

| COMPONENT OF | |
|--------------|------|
| MATERIAL | |
| DWG. No. | REV. |
| FM-02 | |