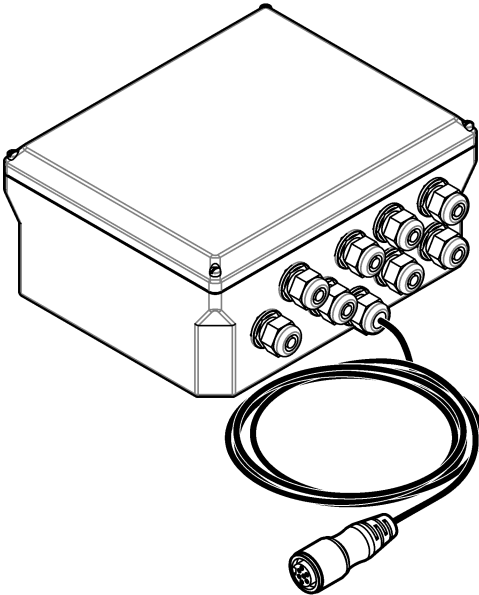




DOC276.97.80496

IO9000

02/2015, Edition 2



User Instructions
Instructions d'utilisation
Instrucciones para el usuario
Instruções do Usuário
用户说明
取扱説明書

English 3

Français 19

Español 37

Português 54

中文 72

日本語 88

Table of contents

[Specifications](#) on page 3

[General information](#) on page 4

[Installation](#) on page 6

[Configuration](#) on page 15

[Calibration](#) on page 17

[Maintenance](#) on page 18

[Replacement parts](#) on page 18

Specifications

Specifications are subject to change without notice.

Specification	Details
Dimensions (L x W X D)	247 x 300 x 130 mm (9.71 x 11.82 x 5.12 in.)
Enclosure	IP66, NEMA 4X
Weight	2.5 kg (5.5 lb)
Pollution degree/installation category	2, II
Protection class	II
Operating temperature	−40 to 50 °C (−40 to 122 °F)
Storage temperature	−40 to 80 °C (−40 to 176 °F)
Storage/operating humidity	100% non-condensing
Cable	Auxiliary cable, 2.74 m (9 ft)
Cable strain reliefs	Eight
Power requirements	12 to 15 VDC, 1 A supplied by AS950 controller
Analog outputs	IO9001: None; IO9004: Three 0/4–20 mA current loop; external loop power (18 VDC maximum) or internal loop power (14 VDC minimum, 18 VDC maximum); loop burden—3.6 V maximum at 25 mA Wire size: 24 to 16 AWG solid or stranded copper. The analog outputs are individually galvanically isolated ¹ .
Analog inputs	IO9001: None; IO9004: Two Current input mode: 0/4–20 mA; 18 VDC maximum; 108 Ω and 0.4 V maximum loop burden Voltage pulse input mode: Input resistance—11 kΩ typical; pulse high level—4 V minimum to 15 V maximum; pulse low level—0 V minimum to 2 V maximum; hysteresis—0.5 V typical; pulse width (high or low state)—50 ms minimum Wire size: 24 to 16 AWG solid or stranded copper. The analog inputs are individually galvanically isolated ¹ .
Digital outputs	IO9001: None; IO9004: Four Low-voltage (±30 VDC or 20 VAC-rms at 0.15 A maximum) contact closure relays; optional pull-up to externally-supplied logic level (0 to 30 VDC) Wire size: 24 to 16 AWG solid or stranded copper. The digital outputs are galvanically isolated as a group. If a switch is not referenced to the COM pin, the switch is individually galvanically isolated ¹ .

¹ Galvanic isolation is used to decrease the effects of ground loop interference. Galvanic isolation does not supply safety isolation.

Specification	Details
Digital inputs	IO9001: None; IO9004: Four 0 to 25 VDC (120 kΩ input resistance); 1.5 V default internal threshold. An optional external voltage applied to Vth input supplies a threshold voltage of 0.5*Vth. Wire size: 24 to 16 AWG solid or stranded copper. The digital inputs are galvanically isolated as a group ¹ .
Relays	IO9001: One; IO9004: Four Form C; 20 to 230 VAC and 0.006 to 0.5 A Wire size: 20 to 14 AWG solid or stranded copper
Certifications	CE, UL/CSA standards (cETLus)
Warranty	USA: 1 year, EU: 2 years

General information

In no event will the manufacturer be liable for direct, indirect, special, incidental or consequential damages resulting from any defect or omission in this manual. The manufacturer reserves the right to make changes in this manual and the products it describes at any time, without notice or obligation. Revised editions are found on the manufacturer's website.

Safety information

NOTICE

The manufacturer is not responsible for any damages due to misapplication or misuse of this product including, without limitation, direct, incidental and consequential damages, and disclaims such damages to the full extent permitted under applicable law. The user is solely responsible to identify critical application risks and install appropriate mechanisms to protect processes during a possible equipment malfunction.

Please read this entire manual before unpacking, setting up or operating this equipment. Pay attention to all danger and caution statements. Failure to do so could result in serious injury to the operator or damage to the equipment.

Make sure that the protection provided by this equipment is not impaired. Do not use or install this equipment in any manner other than that specified in this manual.

Use of hazard information

▲ DANGER

Indicates a potentially or imminently hazardous situation which, if not avoided, will result in death or serious injury.

▲ WARNING

Indicates a potentially or imminently hazardous situation which, if not avoided, could result in death or serious injury.

▲ CAUTION




Indicates a potentially hazardous situation that may result in minor or moderate injury.

NOTICE

Indicates a situation which, if not avoided, may cause damage to the instrument. Information that requires special emphasis.

Precautionary labels

Read all labels and tags attached to the instrument. Personal injury or damage to the instrument could occur if not observed. A symbol on the instrument is referenced in the manual with a precautionary statement.

	This is the safety alert symbol. Obey all safety messages that follow this symbol to avoid potential injury. If on the instrument, refer to the instruction manual for operation or safety information.
	This symbol indicates that a risk of electrical shock and/or electrocution exists.
	Electrical equipment marked with this symbol may not be disposed of in European domestic or public disposal systems. Return old or end-of-life equipment to the manufacturer for disposal at no charge to the user.

Certification

Canadian Radio Interference-Causing Equipment Regulation, IECS-003, Class A:

Supporting test records reside with the manufacturer.

This Class A digital apparatus meets all requirements of the Canadian Interference-Causing Equipment Regulations.

Cet appareil numérique de classe A répond à toutes les exigences de la réglementation canadienne sur les équipements provoquant des interférences.

FCC Part 15, Class "A" Limits

Supporting test records reside with the manufacturer. The device complies with Part 15 of the FCC Rules. Operation is subject to the following conditions:

1. The equipment may not cause harmful interference.
2. The equipment must accept any interference received, including interference that may cause undesired operation.

Changes or modifications to this equipment not expressly approved by the party responsible for compliance could void the user's authority to operate the equipment. This equipment has been tested and found to comply with the limits for a Class A digital device, pursuant to Part 15 of the FCC rules. These limits are designed to provide reasonable protection against harmful interference when the equipment is operated in a commercial environment. This equipment generates, uses and can radiate radio frequency energy and, if not installed and used in accordance with the instruction manual, may cause harmful interference to radio communications. Operation of this equipment in a residential area is likely to cause harmful interference, in which case the user will be required to correct the interference at their expense. The following techniques can be used to reduce interference problems:

1. Disconnect the equipment from its power source to verify that it is or is not the source of the interference.
2. If the equipment is connected to the same outlet as the device experiencing interference, connect the equipment to a different outlet.
3. Move the equipment away from the device receiving the interference.
4. Reposition the receiving antenna for the device receiving the interference.
5. Try combinations of the above.

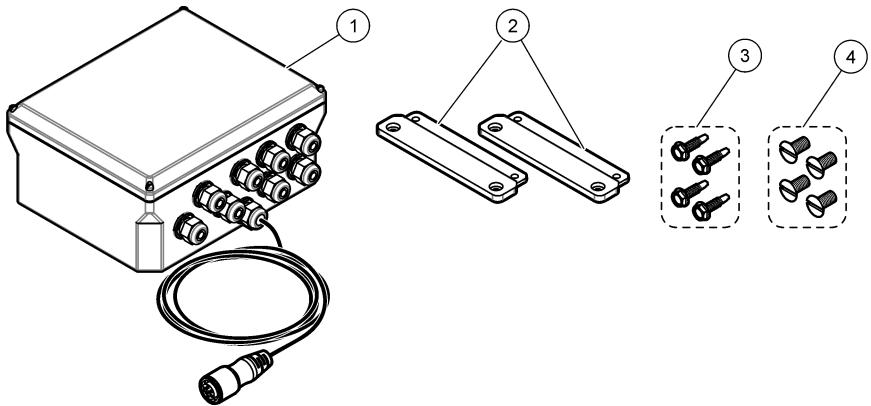
Product overview

The I/O module connects to an AS950 sampler to supply the sampler with relay, analog input, analog output, digital input and digital output terminals.

Product components

Make sure that all components have been received. Refer to [Figure 1](#). If any items are missing or damaged, contact the manufacturer or a sales representative immediately.

Figure 1 Product components



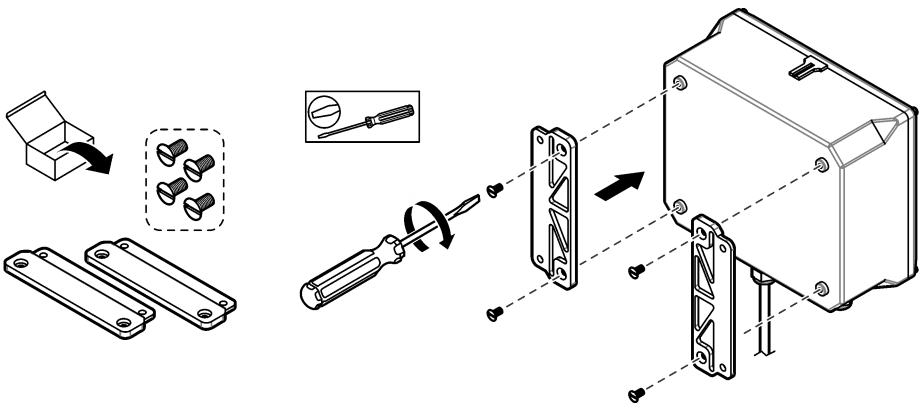
1 IO9000 module	3 Self-drilling screws
2 Mounting brackets	4 Screws for mounting brackets

Installation

This instrument is rated for an altitude of 2000 m (6562 ft) maximum. Although the use of this equipment above the 2000 m altitude does not show any substantial safety concern, the manufacturer recommends that users with concerns contact technical support.

Install the brackets

Install the brackets as shown in the illustrated steps that follow.



Mount the instrument

NOTICE

Damage to internal components can occur if a screw goes into the side of the refrigerated sampler more than 12.5 mm (0.5 in.). Use the screws supplied to prevent damage to the refrigerated sampler.

Attach the I/O module to a flat, vertical surface that lets the user easily disconnect the I/O module from the AS950 controller. Make sure that the I/O module is sufficiently near the sampler to connect the I/O module cable to the AUX I/O port. Refer to [Figure 2](#) to attach the I/O module to a wall.

Refer to [Figure 3](#) to attach the I/O module to the sampler.

Figure 2 Wall mounting

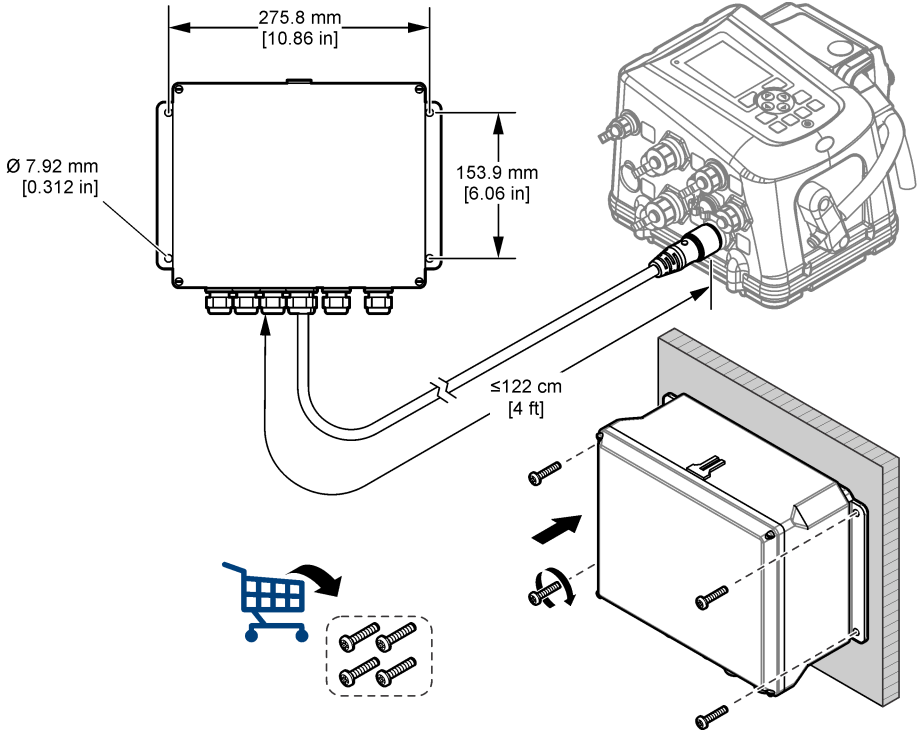
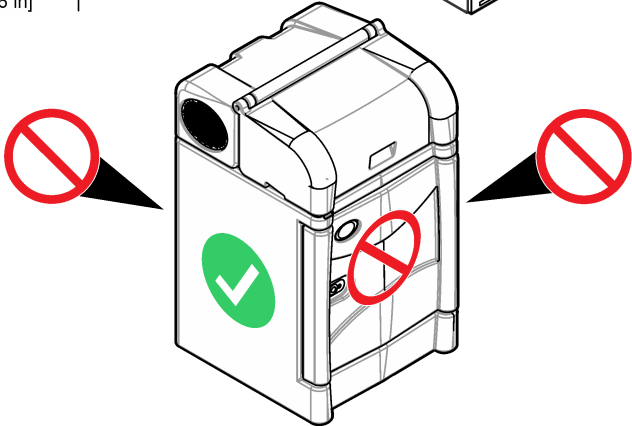
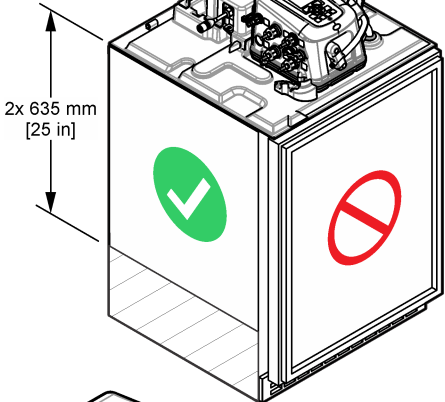
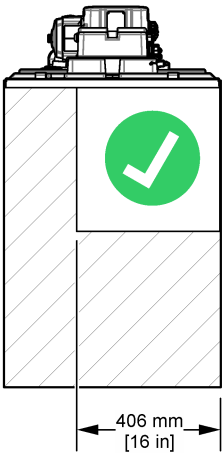
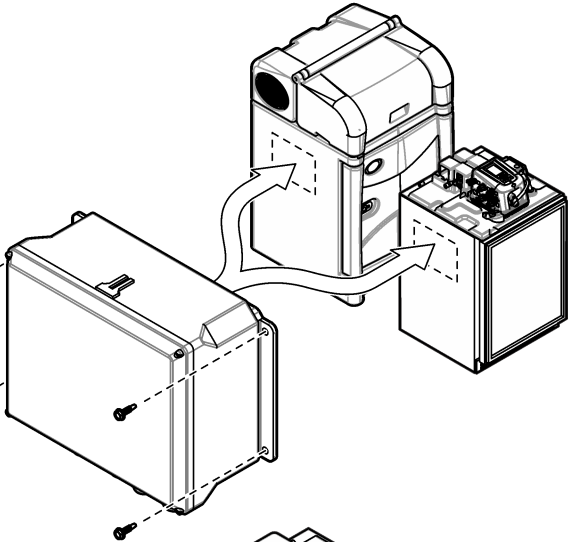
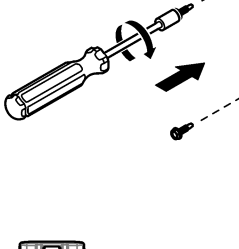
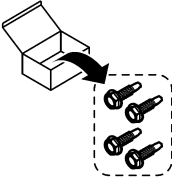
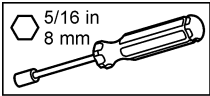


Figure 3 Mounting locations on the sampler



Electrical installation

⚠ DANGER



Electrocution hazard. Always remove power to the instrument before making electrical connections.

⚠ DANGER



Electrocution hazard. Use only fittings that have the specified environmental enclosure rating. Obey the requirements in the Specifications section.

⚠ WARNING



Electrical shock hazard. Externally connected equipment must have an applicable country safety standard assessment.

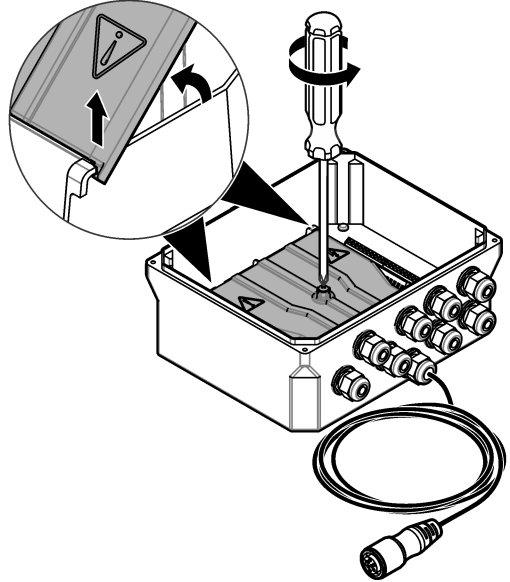
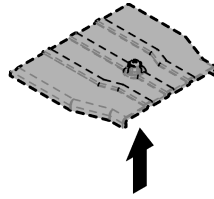
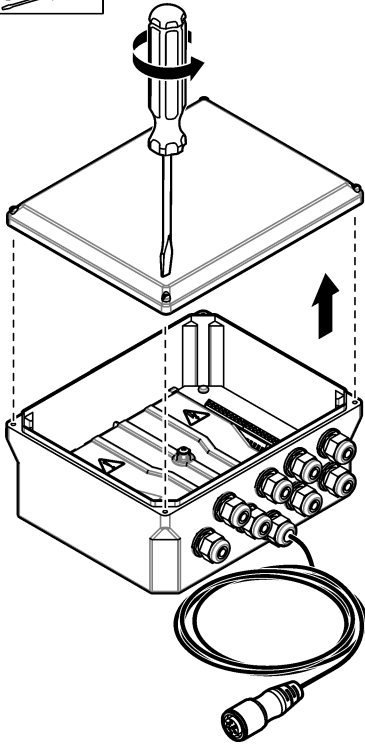
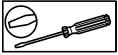
NOTICE

Make sure that the equipment is connected to the instrument in accordance with local, regional and national requirements.

- Use cables with a diameter of 4.3 to 11.4 mm (0.17 to 0.45 in.) so that the cable strain reliefs hold the cables when tightened.
- Do not put more than one cable in a cable strain relief.
- To connect conduit to a terminal, replace an installed cable strain relief with a conduit fitting. To connect conduit to the I/O module, replace the applicable cable strain relief with a sealing conduit to bond the conduit to the bonding plate of the I/O module. For a reliable, low impedance ground connection, an independent ground wire with equivalent gauge can be pulled and attached at the ground lug terminal on the bonding plate.
- Close all unused cable strain reliefs with rods, cables or the supplied sealing cords to keep out moisture.
- For relay connections, it is necessary to use a 20 A circuit breaker (at maximum). Relay connections must have a local disconnection device. The disconnection device must clearly identify that this device is the disconnection device. Make sure that the device is in a location where there is sufficient clearance around it to make connections and to do maintenance tasks.

Remove the covers

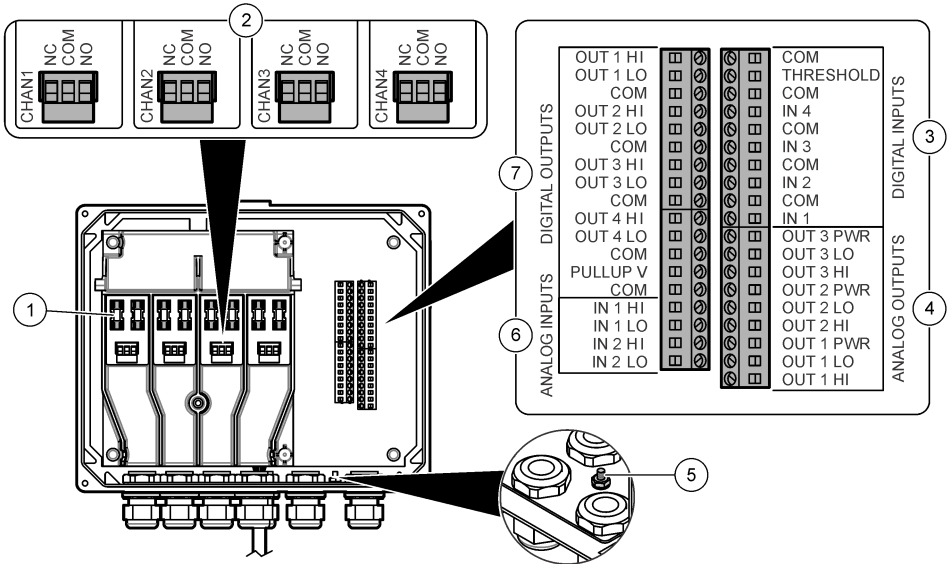
Remove the covers as shown in the illustrated steps that follow.



Wiring overview

Figure 4 shows the wiring connections and fuse locations. Refer to Figure 5 to prepare and install wiring.

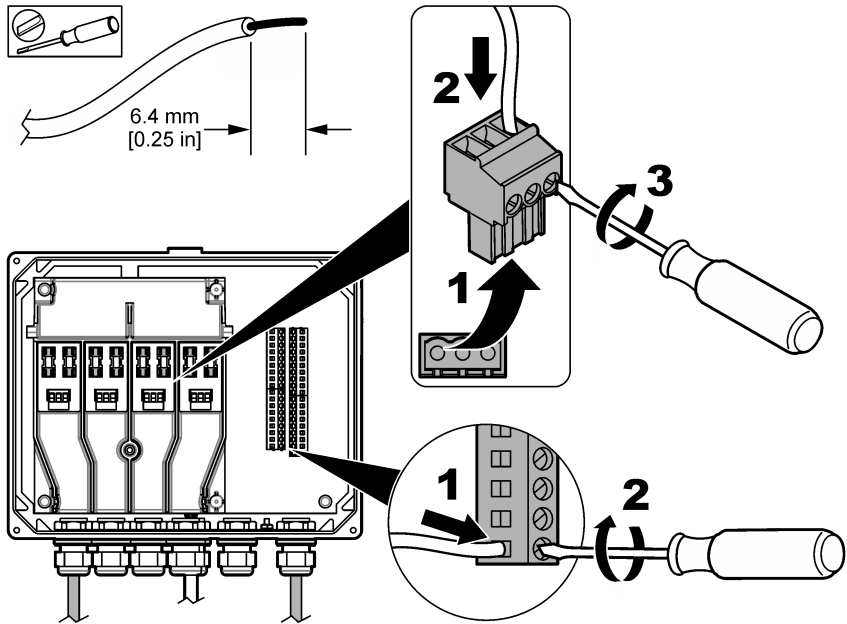
Figure 4 Wiring overview



1 Fuse (8x)	5 Ground stud for shield wires ²
2 Relays (4x)	6 Analog inputs (2x)
3 Digital inputs (4x)	7 Digital outputs (4x)
4 Analog outputs (3x)	

² Use ring terminals to make connections. Ring terminals are not supplied.

Figure 5 Wire installation



Connect the relays

⚠ WARNING



Potential Electrocution Hazard. Power and relay terminals are designed for only single wire termination. Do not use more than one wire in each terminal.

⚠ WARNING



Potential fire hazard. Do not daisy-chain the common relay connections or jumper wire from the mains power connection inside the instrument.

⚠ CAUTION



Fire hazard. Relay loads must be resistive. Always limit current to the relays with an external fuse or breaker. Obey the relay ratings in the Specifications section.

The I/O module has four non-powered alarm relays. Each relay changes state when the selected alarm condition for the relay occurs. The alarm condition includes one or more alarms in a boolean OR or AND logic configuration. Refer to [Configure the relays and digital outputs](#) on page 16.

Connect the relays to a control device or an alarm device. Refer to [Figure 4](#) on page 11, [Figure 5](#) on page 12 and [Table 1](#) to connect the relays. Refer to [Specifications](#) on page 3 for the relay specifications. The relays are isolated from each other and the low-voltage input/output circuitry.

The relay terminals accept 20 to 14 AWG wire (as determined by load application). Use wire with an insulation rating of 300 VAC or higher.

The current to the relay contacts must be 0.5 A or less. Make sure to have a second switch available to remove power from the relays locally in case of an emergency or for maintenance.

When switching large inductive loads (e.g., motors and pumps) or currents higher than 0.5 A, use an auxiliary relay to extend the relay life.

Terminal connections to the mains circuit in permanent connection applications must have insulation rated for a minimum of 300 V, 60 °C (140 °F). Terminals connected to the mains circuit with a power cord connection must be double insulated and rated 300 V, 60 °C (140 °F) at both the inner and outer insulation levels.

Table 1 Wiring—relays

NC	COM	NO
Normally closed	Common	Normally open

Connect the analog inputs

The I/O module has two analog inputs. Connect auxiliary instruments (e.g., third-party ultrasonic sensor) to the analog inputs to supply measurements to the sampler. Refer to [Specifications](#) on page 3 for the analog input specifications.

Connect one auxiliary instrument to each analog input with 24 to 16 AWG wire. Use 19 AWG to 16 AWG wire instead if the wire is 7.62 m (25 ft) long or more. Refer to [Figure 4](#) on page 11, [Figure 5](#) on page 12 and [Table 2](#) to connect the analog inputs.

Make connections with twisted-pair shielded wire. Connect the shield to a stud on the conduit backing plate or at the far end of the cable.

- Do not connect the shield at both ends of the cable.
- Use of non-shielded cable may result in radio frequency emission or susceptibility levels higher than allowed.

Table 2 Wiring—analog inputs

Pin	Description
IN # HI	+
IN # LO	-

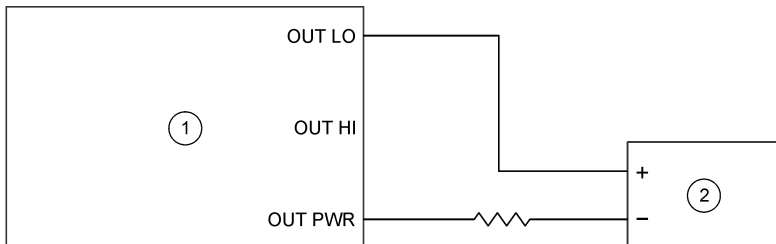
Connect the analog outputs

The I/O module has three isolated 0–20 mA or 4–20 mA analog outputs. Configure the analog outputs to supply a measurement from the sampler to an external instrument. Refer to [Specifications](#) on page 3 for the analog output specifications.

Refer to [Figure 6](#) and [Figure 7](#) to connect the analog outputs. Refer to [Figure 4](#) on page 11 and [Figure 5](#) on page 12 to make wiring connections. Make connections with twisted-pair shielded wire and connect the shield to a ground stud on the conduit backing plate.

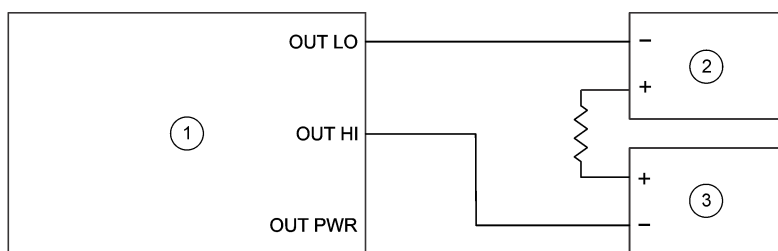
- Do not connect the shield at both ends of the cable.
- Use of non-shielded cable may result in radio frequency emission or susceptibility levels higher than allowed.

Figure 6 I/O module-powered loop



1 Analog output	2 External device
-----------------	-------------------

Figure 7 Externally-powered loop



1 Analog output	3 External device
2 External power supply	

Connect the digital inputs

The I/O module has four digital inputs³. Connect a remote device and/or a switch to the digital inputs. Refer to [Figure 4](#) on page 11, [Figure 5](#) on page 12 and [Table 3](#) to connect the digital inputs. Refer to [Specifications](#) on page 3 for the digital input specifications.

Each digital input has a positive terminal and a shared common with an input resistance of 120 kΩ. The default threshold is 1.5 V. When the optional customer supplied threshold is used, the threshold is set at 50% of the voltage applied to the threshold pin (0 to 25 VDC).

Table 3 Wiring—digital inputs

Pin	Description
COM (pin 1)	Negative for THRESHOLD
THRESHOLD	25 VDC maximum
COM	Negative
IN #	Positive

Connect the digital outputs

NOTICE

Do not use the digital outputs for process control functions such as pump on/off switching or water system shutdown. The digital output connections do not replace a PLC (programmable logic controller).

The I/O module has four digital outputs. Connect a compatible device such as a remote alarm indicator, buzzer or PLC to the digital outputs. Refer to [Figure 4](#) on page 11, [Figure 5](#) on page 12 and [Table 4](#) to connect the digital outputs. Refer to [Specifications](#) on page 3 for the digital output specifications.

The digital outputs are independent floating switches when the PULLUP V input and associated internal pull-up resistors are not used. The switches are normally open. The switches close when the user-selected alarm conditions occur.

To use the optional PULLUP V input and the related internal 10 kΩ internal pull-up resistors, supply the applicable voltage to the PULLUP V and COM (pin 14) pins. Then, connect a jumper from the OUT # LO pin to the COM pin. The output signal logic is active low.

Table 4 Wiring—digital outputs

Pin	Description
OUT # HI	Positive
OUT # LO	Negative

³ The digital inputs are not supported by the AS950 controller firmware at the initial release.

Table 4 Wiring—digital outputs (continued)

Pin	Description
COM	Common
PULLUP V	+25 VDC maximum ⁴
COM (pin 14)	Common for PULLUP V

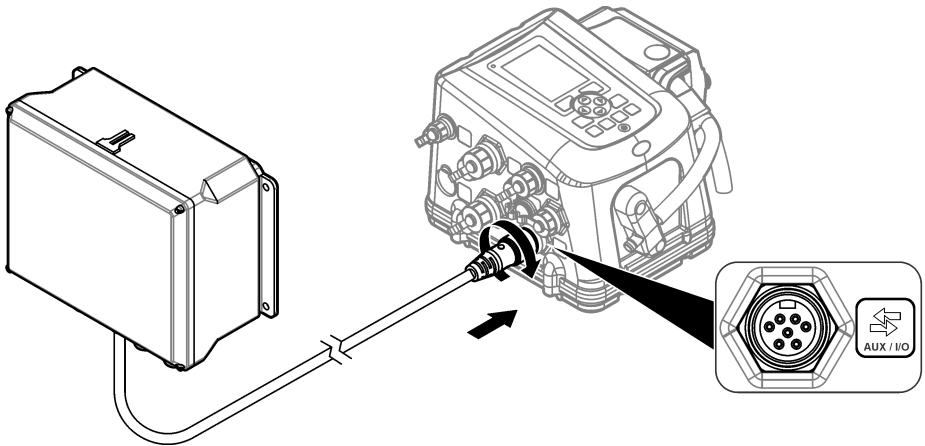
Install the covers

Install the covers with the supplied hardware to keep the protection supplied by the enclosure. Refer to [Remove the covers](#) on page 10. Make sure that the covers are tightly closed.

Connect to the sampler

Connect the I/O module cable to the AUX I/O port of the sampler. Refer to [Figure 8](#).

Figure 8 Connect to the sampler



Configuration

Configure the AUX I/O port

1. Push **MENU**.
2. Select Hardware Setup>AUX and I/O Port>Type>I/O Module.

Enable the relays

Enable the relays that are connected to external instruments.

1. Push **MENU**.
2. Select AC Relays.
3. Select the applicable relays.

⁴ Sets the logic high voltage for the digital outputs.

Configure the relays and digital outputs

Select the alarms that trigger the relays and/or digital outputs. Configure the alarms before this task is started. Refer to the sampler documentation.

1. Push **MENU**.
2. Select Programming>Alarm Programming.
3. To select a system alarm (e.g., pump fault or full bottle):
 - a. Select System Alarms>[Select System Alarm], then push **Next**.
 - b. Select Action, then push **Edit**.
 - c. Select an option, then push **OK**.

Note: When the system alarms that follow occur, the relay or digital output changes state for only 4 seconds. For the other system alarms, the relay changes state continuously while the alarm is active.

- Program Start
- Program End
- Bottle Change
- Sample Complete
- Missed Sample
- Purge Error
- Distributor Arm Error
- Pump Fault

Option	Description
Set Relay 1 (2, 3 or 4)	Sets the selected relay to change state when the alarm is active. The normally closed (NC) contact of the relay opens when the alarm is active. The normally open (NO) contact of the relay closes when the alarm is active. The alarm is recorded in the alarm log.
Set Digital Output 1 (2, 3 or 4)	Sets the selected digital output to a closed switch or a logic low voltage when the alarm is active. The alarm is recorded in the alarm log.

4. To select a channel setpoint alarm:
 - a. Select Channel Alarms>[Select Channel Alarm], then push **Next**.

Note: The number that follows a channel alarm identifies the source sensor. For example, Temp 2 is the temperature measurement supplied by Sensor 2.

- b. Select Action, then push **Edit**.
- c. Select an option, then push **OK**.

Option	Description
Set Relay 1 (2, 3 or 4)	Sets the selected relay to change state when the alarm is active. The normally closed (NC) contact of the relay opens when the alarm is active. The normally open (NO) contact of the relay closes when the alarm is active. The alarm is recorded in the alarm log.
Set Digital Output 1 (2, 3 or 4)	Sets the selected digital output to a closed switch or a logic low voltage when the alarm is active. The alarm is recorded in the alarm log.

Configure the analog inputs

1. Push **MENU**.
2. Select Hardware Setup>AUX and I/O Port>Analog Inputs>[Select Analog Input]>Setup Wizard.
3. Use the **DOWN** arrow to select Enable, then push **Next**.
4. Obey the prompts on the screen. Refer to [Table 5](#) for descriptions of the settings.

Note: To set the analog input settings and calibration to the factory defaults, select Restore Defaults.

Table 5 Analog input settings

Setting	Description
Select Source Type	Selects the measurement that shows on the selected analog input. Options: Level, Velocity, Flow, Temp, pH
Select Loop Scale	Sets the analog range for the analog input. Options: 0–20 mA or 4–20 mA

Configure the analog outputs

1. Push **MENU**.
2. Select Hardware Setup>AUX and I/O Port>Analog Outputs>[Select Analog Output]>Setup Wizard.
3. Use the **DOWN** arrow to select Enable, then push **Next**.
4. Obey the prompts on the screen. Refer to [Table 6](#) for descriptions of the settings.

Note: To set the analog output settings and calibration to the factory defaults, select **Restore Defaults**.

Table 6 Analog output settings

Setting	Description
Select Source	Selects the measurement that shows on the selected analog output. Only the measurements that are recorded in the data log can be selected.
Select Loop Scale	Sets the analog range for the analog output. Options: 0–20 mA or 4–20 mA
Select Loop Power	Sets the loop power source to be internal or external. Internal —Selects the sampler as the power source of the analog output. External —Selects another device as the power source of the analog output. When external is selected, the sampler acts as a variable current limit device.
Set Transfer Value	Sets the analog loop value that is supplied on the analog output when an input measurement error occurs. Options: 3.0 to 25.0 mA An input measurement errors occurs when: <ul style="list-style-type: none"> • A sensor malfunction occurs. • The input measurement value from the sensor is not valid. • The sensor is not detected by the controller. • The sensor has been removed by the user.

Calibration

Calibrate the analog signals

Calibrate the analog inputs to make sure that the analog input signals (4 mA and 20 mA) that are supplied by external instruments are correctly measured by the sampler. Calibrate the analog outputs to make sure that the analog outputs (4 mA and 20 mA) that are supplied by the sampler are the correct values.

Item to collect: Digital multimeter that supplies an analog signal

1. Push **CALIBRATE**.
2. Select I/O Module>Analog Input (or Analog Output).
3. Select the analog input (or analog output) to calibrate.
4. Obey the prompts on the screen. Connect the multimeter to the applicable analog input or analog output terminals.


Maintenance

⚠ DANGER	
	Multiple hazards. Only qualified personnel must conduct the tasks described in this section of the document.

Clean the instrument

Clean the exterior of the instrument with a moist cloth and a mild soap solution and then wipe the instrument dry.

Replace a fuse

⚠ DANGER	
	Electrocution hazard. Remove all power from the instrument and relay connections before this maintenance task is started.

⚠ DANGER	
	Fire hazard. Use the same type and current rating to replace fuses.

Item to collect: Fuse, 5 x 20 mm, 1 A, 250 V, fast

Replace a blown fuse for correct operation. Refer to [Wiring overview](#) on page 10 for the fuse location.

1. Remove all power to the relay connections.
2. Remove the covers. Refer to [Remove the covers](#) on page 10.
3. Pull the blown fuse out of the fuse holder.
4. Push a new fuse into the fuse holder.
5. Install the covers.

Replacement parts

⚠ WARNING	
	Personal injury hazard. Use of non-approved parts may cause personal injury, damage to the instrument or equipment malfunction. The replacement parts in this section are approved by the manufacturer.

Note: Product and Article numbers may vary for some selling regions. Contact the appropriate distributor or refer to the company website for contact information.

Description	Item no.
Fuse, 5 x 20mm, 1 A, 250 V, fast	180003201
Cable strain relief, 4.3 to 11.4 mm (0.17 to 0.45 in.) cable	5202500
Washer, sealing, ½-in. NPT	1033814
Nut, Nylon, Jam, ½-14, NPT	8774

Table des matières

[Caractéristiques](#) à la page 19

[Généralités](#) à la page 20

[Installation](#) à la page 22

[Configuration](#) à la page 33

[Étalonnage](#) à la page 35

[Entretien](#) à la page 36

[Pièces de rechange](#) à la page 36

Caractéristiques

Les caractéristiques techniques peuvent être modifiées sans préavis.

Caractéristique	Détails
Dimensions (L x l x P)	247 x 300 x 130 mm (9,71 x 11,82 x 5,12 po)
Boîtier	IP66, NEMA 4X
Poids	2,5 kg (5,5 lb)
Degré de pollution/catégorie de l'installation	2, II
Classe de protection	II
Température de fonctionnement	-40 à 50 °C (-40 à 122 °F)
Température de stockage	-40 à 80 °C (-40 à 176 °F)
Humidité de stockage/de fonctionnement	100 %, sans condensation
Câble	Câble auxiliaire, 2,74 m (9 pieds)
Serre-câbles	Huit
Alimentation requise	12 à 15 V cc, 1 A fournie par le transmetteur AS950
Sorties analogiques	IO9001 : aucune ; IO9004 : trois Boucle de courant 0/4–20 mA ; courant de boucle externe (18 V cc maximum) ou courant de boucle interne (14 V cc minimum, 18 V cc maximum) ; charge de boucle – 3,6 V maximum à 25 mA Taille de câble : 24-16 AWG, cuivre massif ou multibrin. Les sorties analogiques présentent une isolation galvanique individuelle ¹ .
Entrées analogiques	IO9001 : aucune ; IO9004 : deux Mode d'entrée de courant : 0/4–20 mA ; 18 V cc maximum ; charge de boucle maximum 108 Ω et 0,4 V Mode d'entrée d'impulsion de tension : résistance d'entrée – 11 kΩ typique ; niveau haut d'impulsion – 4 V minimum à 15 V maximum ; niveau bas d'impulsion – 0 V minimum à 2 V maximum ; hystérésis – 0,5 V typique ; largeur d'impulsions (état haut ou bas) – 50 ms minimum Taille de câble : 24-16 AWG, cuivre massif ou multibrin. Les entrées analogiques présentent une isolation galvanique individuelle ¹ .

¹ Cette isolation permet de limiter les effets des interférences de la boucle de terre. Elle n'assure aucune isolation de sécurité.

Caractéristique	Détails
Sorties numériques	IO9001 : aucune ; IO9004 : quatre Relais à fermeture de contact basse tension (± 30 V cc ou 20 V ca-rms à 0,15 A maximum) ; tirage en option vers un niveau de logique externe (0 à 30 V cc) Taille de câble : 24-16 AWG, cuivre massif ou multibrin. Les sorties numériques présentent une isolation galvanique de groupe. Si un commutateur n'est pas référencé au niveau de la broche COM, il présente une isolation galvanique individuelle ¹ .
Entrées numériques	IO9001 : aucune ; IO9004 : quatre 0 à 25 V cc (résistance d'entrée 120 k Ω) ; seuil interne par défaut 1,5 V. Une tension externe en option appliquée à l'entrée Vth fournit une tension de seuil de 0,5*Vth. Taille de câble : 24-16 AWG, cuivre massif ou multibrin. Les entrées numériques présentent une isolation galvanique de groupe ¹ .
Relais	IO9001 : un ; IO9004 : quatre Type C ; 20 à 230 V ca et 0,006 à 0,5 A Taille de câble : 20-14 AWG, cuivre massif ou multibrin
Certifications	Normes CE, UL/CSA (cETLus)
Garantie	Etats-Unis : 1 an, UE : 2 ans

Généralités

En aucun cas le constructeur ne saurait être responsable des dommages directs, indirects, spéciaux, accessoires ou consécutifs résultant d'un défaut ou d'une omission dans ce manuel. Le constructeur se réserve le droit d'apporter des modifications à ce manuel et aux produits décrits à tout moment, sans avertissement ni obligation. Les éditions révisées se trouvent sur le site Internet du fabricant.

Consignes de sécurité

AVIS

Le fabricant décline toute responsabilité quant aux dégâts liés à une application ou un usage inappropriés de ce produit, y compris, sans toutefois s'y limiter, des dommages directs ou indirects, ainsi que des dommages consécutifs, et rejette toute responsabilité quant à ces dommages dans la mesure où la loi applicable le permet. L'utilisateur est seul responsable de la vérification des risques d'application critiques et de la mise en place de mécanismes de protection des processus en cas de défaillance de l'équipement.

Veillez lire l'ensemble du manuel avant le déballage, la configuration ou la mise en fonctionnement de cet appareil. Respectez toutes les déclarations de prudence et d'attention. Le non-respect de cette procédure peut conduire à des blessures graves de l'opérateur ou à des dégâts sur le matériel. Assurez-vous que la protection fournie avec cet appareil n'est pas défaillante. N'utilisez ni n'installez cet appareil d'une façon différente de celle décrite dans ce manuel.

Interprétation des indications de risques

▲ DANGER

Indique une situation de danger potentiel ou imminent qui, si elle n'est pas évitée, entraîne des blessures graves, voire mortelles.

▲ AVERTISSEMENT

Indique une situation de danger potentiel ou imminent qui, si elle n'est pas évitée, peut entraîner des blessures graves, voire mortelles.




▲ ATTENTION

Indique une situation de danger potentiel qui peut entraîner des blessures mineures ou légères.

Indique une situation qui, si elle n'est pas évitée, peut occasionner l'endommagement du matériel. Informations nécessitant une attention particulière.

Étiquettes de mise en garde

Lisez toutes les étiquettes et tous les repères apposés sur l'instrument. Des personnes peuvent se blesser et le matériel peut être endommagé si ces instructions ne sont pas respectées. Un symbole sur l'appareil est désigné dans le manuel avec une instruction de mise en garde.

	Ceci est le symbole d'alerte de sécurité. Se conformer à tous les messages de sécurité qui suivent ce symbole afin d'éviter tout risque de blessure. S'ils sont apposés sur l'appareil, se référer au manuel d'utilisation pour connaître le fonctionnement ou les informations de sécurité.
	Ce symbole indique qu'il existe un risque de choc électrique et/ou d'électrocution.
	Le matériel électrique portant ce symbole ne doit pas être mis au rebut dans les réseaux domestiques ou publics européens. Retournez le matériel usé ou en fin de vie au fabricant pour une mise au rebut sans frais pour l'utilisateur.

Certification

Règlement canadien sur les équipements causant des interférences radio, IECS-003, Classe A:

Les données d'essai correspondantes sont conservées chez le constructeur.

Cet appareil numérique de classe A respecte toutes les exigences du Règlement sur le matériel brouilleur du Canada.

Cet appareil numérique de classe A répond à toutes les exigences de la réglementation canadienne sur les équipements provoquant des interférences.

FCC part 15, limites de classe A :

Les données d'essai correspondantes sont conservées chez le constructeur. L'appareil est conforme à la partie 15 de la réglementation FCC. Le fonctionnement est soumis aux conditions suivantes :

1. Cet équipement ne peut pas causer d'interférence nuisible.
2. Cet équipement doit accepter toutes les interférences reçues, y compris celles qui pourraient entraîner un fonctionnement inattendu.

Les modifications de cet équipement qui n'ont pas été expressément approuvées par le responsable de la conformité aux limites pourraient annuler l'autorité dont l'utilisateur dispose pour utiliser cet équipement. Cet équipement a été testé et déclaré conforme aux limites définies pour les appareils numériques de classe A, conformément à la section 15 de la réglementation FCC. Ces limites ont pour but de fournir une protection raisonnable contre les interférences néfastes lorsque l'équipement fonctionne dans un environnement commercial. Cet équipement génère, utilise et peut irradier l'énergie des fréquences radio et, s'il n'est pas installé ou utilisé conformément au mode d'emploi, il peut entraîner des interférences dangereuses pour les communications radio. Le fonctionnement de cet équipement dans une zone résidentielle risque de causer des interférences nuisibles, dans ce cas l'utilisateur doit corriger les interférences à ses frais. Les techniques ci-dessous peuvent permettre de réduire les problèmes d'interférences :

1. Débrancher l'équipement de la prise de courant pour vérifier s'il est ou non la source des perturbations
2. Si l'équipement est branché sur le même circuit de prises que l'appareil qui subit des interférences, branchez l'équipement sur un circuit différent.
3. Éloigner l'équipement du dispositif qui reçoit l'interférence.

4. Repositionner l'antenne de réception du périphérique qui reçoit les interférences.
5. Essayer plusieurs des techniques ci-dessus à la fois.

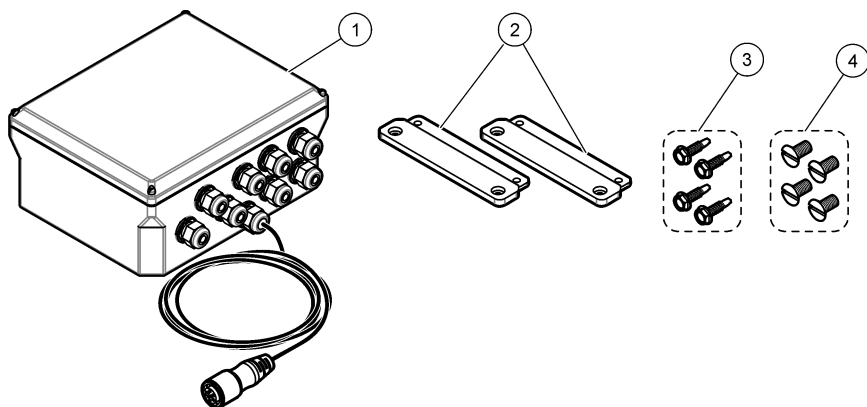
Présentation du produit

Connecté à un échantillonneur AS950, le module d'E/S permet de fournir à cet échantillonneur des bornes de relais, d'entrée analogique, de sortie analogique, d'entrée numérique et de sortie numérique.

Composants du produit

Assurez-vous d'avoir bien reçu tous les composants. Reportez-vous à la [Figure 1](#). Si des éléments manquent ou sont endommagés, contactez immédiatement le fabricant ou un représentant commercial.

Figure 1 Composants du produit



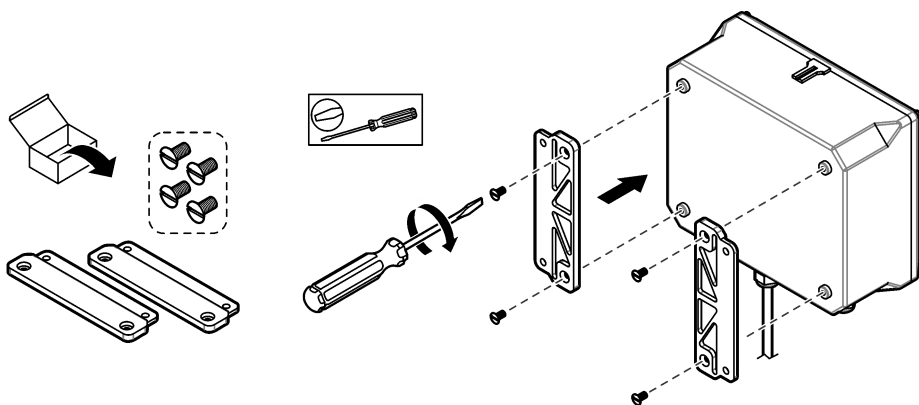
1 Module IO9000	3 Vis autotaraudeuses
2 Supports de montage	4 Vis de montage des supports

Installation

Cet instrument peut être utilisé jusqu'à une altitude de 2 000 m (6 562 pieds). L'utilisation de cet équipement au-dessus de 2 000 m ne pose aucun problème substantiel de sécurité, cependant le fabricant recommande aux utilisateurs ayant des doutes de contacter le service d'assistance technique.

Installation des supports

Installez les supports comme indiqué dans les étapes illustrées ci-dessous.



Montage de l'instrument

AVIS

Vous risquez d'endommager les composants internes si une vis pénètre de plus de 12,5 mm (0,5 po) la paroi de l'échantillonneur réfrigéré. Utilisez les vis fournies pour éviter d'endommager l'échantillonneur réfrigéré.

Fixez le module d'E/S sur une surface plate et verticale qui permettra à l'utilisateur de le débrancher aisément du contrôleur AS950. Assurez-vous que le module d'E/S est suffisamment proche de l'échantillonneur pour relier le câble du module au port d'E/S AUX. Reportez-vous à la [Figure 2](#) pour fixer le module d'E/S au mur.

Reportez-vous à la [Figure 3](#) pour monter le module d'E/S sur l'échantillonneur.

Figure 2 Montage sur un mur

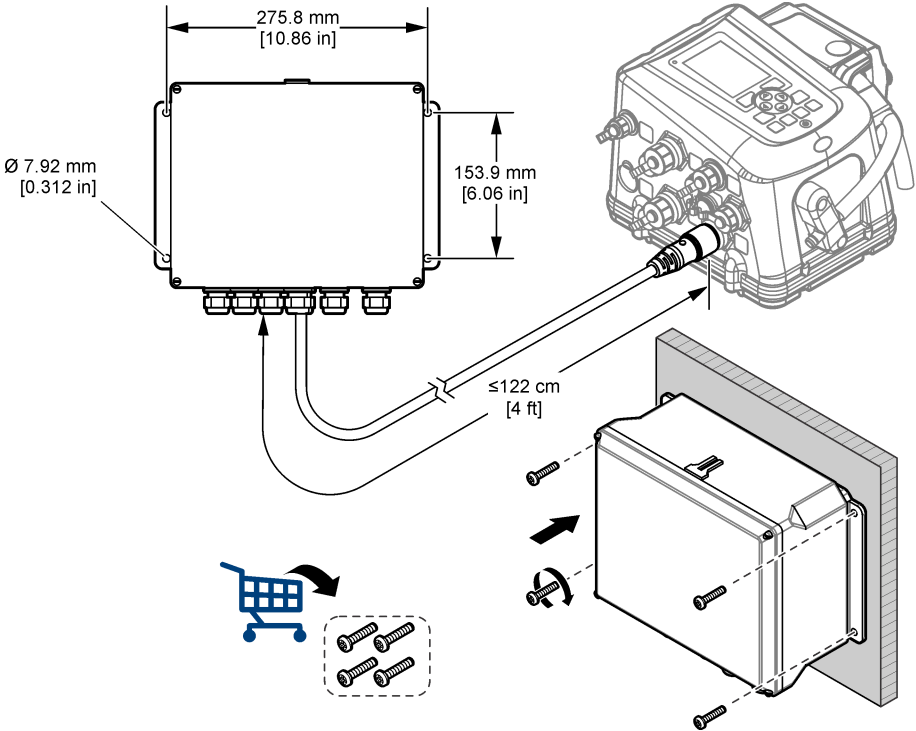
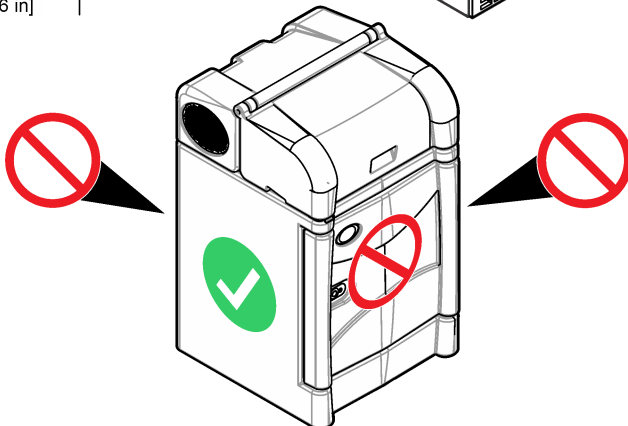
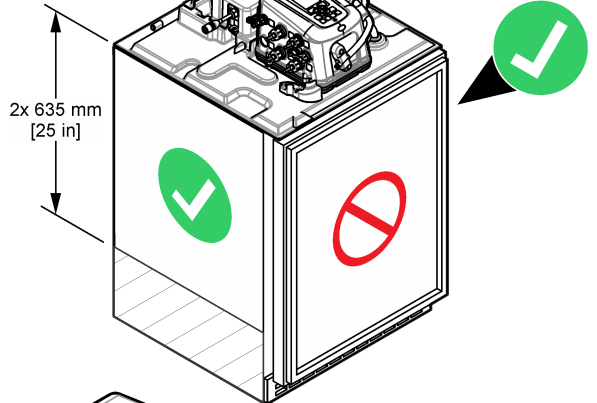
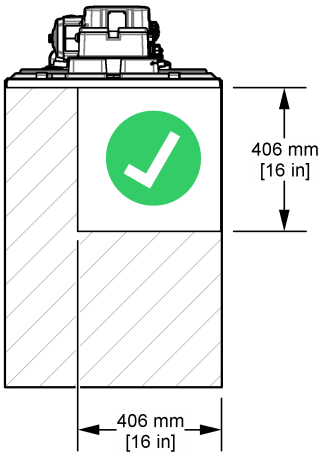
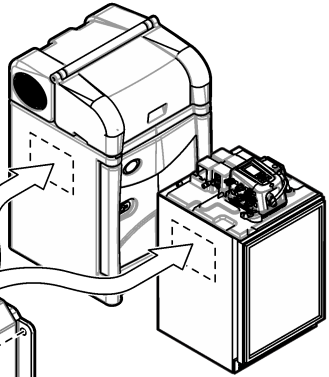
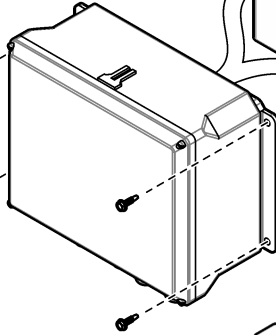
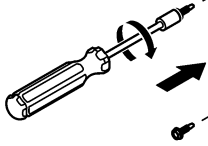
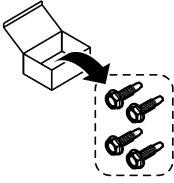
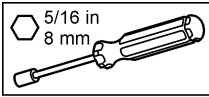


Figure 3 Emplacements de montage sur l'échantillonneur



Installation électrique

⚠ DANGER



Risque d'électrocution Débranchez systématiquement l'alimentation de l'appareil avant tout branchement électrique.

⚠ DANGER



Risque d'électrocution Utilisez uniquement des équipements ayant les caractéristiques environnementales prescrites. Respectez les exigences décrites dans la section Spécifications.

⚠ AVERTISSEMENT



Risque d'électrocution. Tout équipement externe relié doit avoir fait l'objet d'un contrôle de sécurité conformément aux normes nationales applicables.

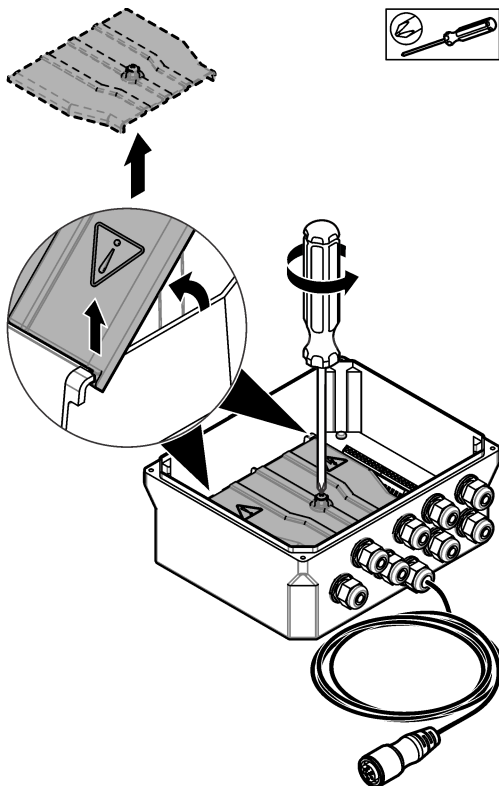
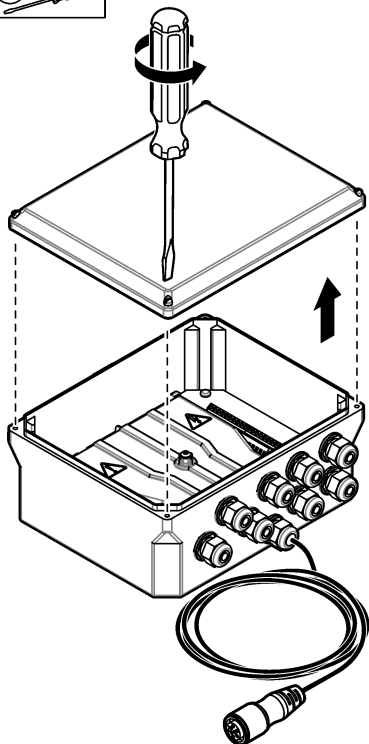
AVIS

L'équipement doit être branché sur l'instrument conformément aux exigences locales, régionales et nationales.

- Utilisez des câbles d'un diamètre de 4,3 à 11,4 mm (0,17 à 0,45 po) de façon à ce que les serre-câbles puissent maintenir correctement les câbles après serrage.
- Ne passez pas plus d'un câble dans un serre-câble.
- Pour connecter la conduite à une borne, remplacez le serre-câble installé par un raccord de conduite. Pour connecter la conduite au module d'E/S, remplacez le serre-câbles par un tuyau d'étanchéité afin de relier le tuyau à la plaque de liaison du module d'E/S. Pour une mise à la terre fiable et de faible impédance, vous pouvez tirer un fil de mise à la terre indépendant de calibre équivalent et le brancher sur la borne de la tige de mise à la terre située sur la plaque de liaison.
- Obturez tous les serre-câbles non utilisés à l'aide de tiges, de câbles ou des cordons fournis pour éviter toute infiltration d'humidité.
- Pour le raccordement des relais, l'utilisation d'un disjoncteur de 20 A (maximum) est indispensable. Un coupe-circuit local doit être prévu pour le raccordement des relais. Ce coupe-circuit doit être lisiblement identifié comme tel. Assurez-vous de ménager suffisamment d'espace autour de ce dispositif pour permettre d'effectuer les branchements et d'assurer la maintenance.

Retrait des panneaux

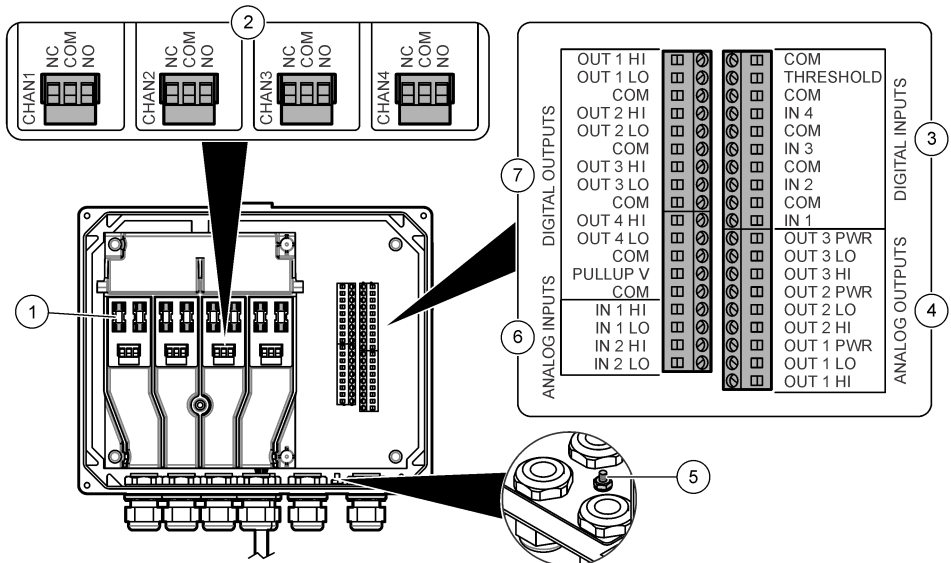
Retirez les panneaux comme indiqué dans les étapes illustrées ci-dessous.



Présentation du câblage

La [Figure 4](#) présente le câblage et l'emplacement des fusibles. Reportez-vous à la [Figure 5](#) pour préparer et installer le câblage.

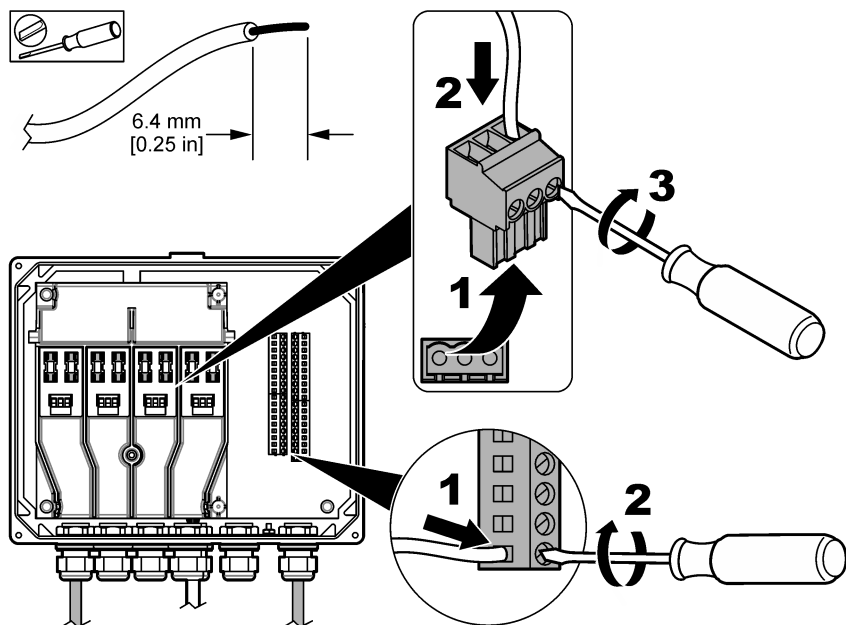
Figure 4 Présentation du câblage



1 Fusibles (8x)	5 Ergot de terre pour les câbles blindés ²
2 Relais (4x)	6 Entrées analogiques (2x)
3 Entrées numériques (4x)	7 Sorties numériques (4x)
4 Sorties analogiques (3x)	

² Effectuez les connexions à l'aide de bornes circulaires. Ces bornes circulaires ne sont pas fournies.

Figure 5 Installation des câbles



Branchement des relais

⚠ AVERTISSEMENT



Risque potentiel d'électrocution Les bornes d'alimentation et de relais sont conçues pour le raccordement d'un seul fil. N'utilisez pas plus d'un fil à chaque borne.

⚠ AVERTISSEMENT



Risque d'incendie potentiel Ne raccordez pas en guirlande les connexions relais standard ou le câble volant à partir de la connexion secteur située dans l'appareil.

⚠ ATTENTION



Risque d'incendie. Les charges de relais doivent être résistantes. Limitez toujours le courant vers les relais avec un fusible ou un disjoncteur externe. Respectez les courants nominaux des relais indiqués dans la section Spécifications.

Le module d'E/S comporte quatre relais d'alarme non alimentés. Chaque relais change d'état en présence de la situation d'alarme sélectionnée pour ce relais. Il peut s'agir de plusieurs alarmes configurées dans une expression booléenne avec les opérateurs OR (ou) et AND (et). Reportez-vous à la section [Configuration des relais et des sorties numériques](#) à la page 33.

Branchez les relais à un appareil de contrôle ou d'alarme. Reportez-vous à la [Figure 4](#) à la page 28, à la [Figure 5](#) à la page 29 et au [Tableau 1](#) pour réaliser le branchement des relais. Les caractéristiques techniques des relais sont indiquées dans la section [Caractéristiques](#) à la page 19. Les relais sont isolés les uns des autres, ainsi que du circuit basse tension des entrées/sorties.

Les bornes de relais sont compatibles avec un câble de 20-14 AWG (selon les indications de l'application de charge). Utilisez un fil d'une isolation nominale de 300 V ca ou plus.

Le courant vers les contacts de relais doit être de 0,5 A maximum. Veillez à ce qu'un second interrupteur soit disponible pour couper le courant des relais localement en cas d'urgence ou à des fins d'entretien.

En cas de commutation de charges inductives importantes (p. ex. moteurs et pompes) ou de courants supérieurs à 0,5 A, utilisez un relais auxiliaire pour prolonger la durée de vie du relais.

Les connexions des bornes au secteur dans les applications à connexion permanente doivent présenter une isolation nominale supportant au minimum 300 V, 60 °C (140 °F). Les bornes reliées au secteur à l'aide d'un cordon d'alimentation doivent présenter une double isolation supportant 300 V, 60 °C (140 °F) au niveau de l'isolation interne et externe.

Tableau 1 Câblage – relais

NC	COM	NO
Normalement fermé	Commune	Normalement ouvert

Branchement des entrées analogiques

Le module d'E/S comporte deux entrées analogiques auxquelles vous pouvez connecter des instruments auxiliaires (par exemple, un capteur à ultrasons d'un autre fabricant) pour transmettre des mesures à l'échantillonneur. Reportez-vous à la section [Caractéristiques](#) à la page 19 pour connaître les caractéristiques techniques des entrées analogiques.

Reliez un instrument auxiliaire à chaque entrée analogique avec un câble 24-16 AWG. Utilisez un câble 19-16 AWG si sa longueur est d'au moins 7,62 m (25 pieds). Reportez-vous à la [Figure 4](#) à la page 28, à la [Figure 5](#) à la page 29 et au [Tableau 2](#) pour réaliser le branchement des entrées analogiques.

Les connexions doivent être réalisées avec un câble blindé à paire torsadée. Connectez le blindage à un ergot de la plaque d'appui de la conduite ou à l'autre extrémité du câble.

- Ne connectez pas le blindage aux deux extrémités du câble.
- L'utilisation d'un câble non blindé peut résulter en l'émission de fréquences radio ou en des niveaux de susceptibilité plus élevés que permis.

Tableau 2 Câblage – entrées analogiques

Broche	Description
IN # HI	+
IN # LO	-

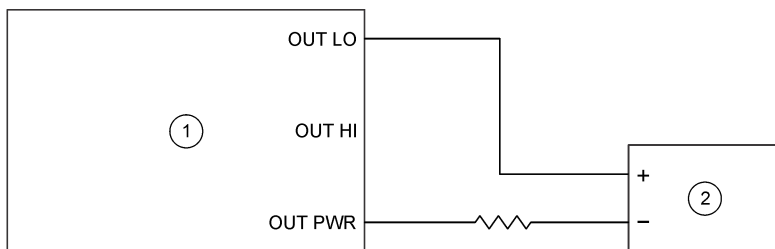
Branchement des sorties analogiques

Le module d'E/S comporte trois sorties analogiques isolées de 0–20 mA ou 4–20 mA. Configurez ces sorties de façon à ce qu'elles transmettent une mesure de l'échantillonneur à un instrument externe. Reportez-vous à la section [Caractéristiques](#) à la page 19 pour connaître les caractéristiques techniques des sorties analogiques.

Reportez-vous à la [Figure 6](#) et à la [Figure 7](#) pour réaliser le branchement des sorties analogiques. Reportez-vous à la [Figure 4](#) à la page 28 et à la [Figure 5](#) à la page 29 pour effectuer les connexions. Réalisez les connexions à l'aide d'un câble blindé à paire torsadée et connectez le blindage à un ergot relié à la terre sur la plaque d'appui de la conduite.

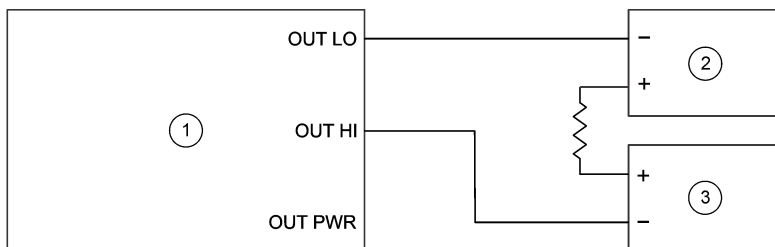
- Ne connectez pas le blindage aux deux extrémités du câble.
- L'utilisation d'un câble non blindé peut résulter en l'émission de fréquences radio ou en des niveaux de susceptibilité plus élevés que permis.

Figure 6 Boucle alimentée par le module d'E/S



1 Sortie analogique	2 Appareil externe
---------------------	--------------------

Figure 7 Boucle alimentée en externe



1 Sortie analogique	3 Appareil externe
2 Alimentation externe	

Connexion des entrées numériques

Le module d'E/S comporte quatre entrées numériques³. Connectez un appareil distant et/ou un commutateur aux entrées numériques. Reportez-vous à la [Figure 4](#) à la page 28, à la [Figure 5](#) à la page 29 et au [Tableau 3](#) pour réaliser le branchement des entrées numériques. Reportez-vous à la section [Caractéristiques](#) à la page 19 pour connaître les caractéristiques techniques des entrées numériques.

Chaque entrée numérique présente une borne positive et une borne commune partagée avec une résistance d'entrée de 120 kΩ. Le seuil par défaut est de 1,5 V. Lorsque le système observe le seuil défini par l'utilisateur (en option), ce seuil correspond à 50 % de la tension appliquée à la broche de seuil (0-25 V cc).

Tableau 3 Câblage – entrées numériques

Broche	Description
COM (broche 1)	Négatif pour THRESHOLD (Seuil)
THRESHOLD	25 V cc maximum
COM	Négatif
IN #	Positif

³ Au moment du lancement initial, ces entrées numériques ne sont pas prises en charge par le micrologiciel du transmetteur AS950.

Connexion des sorties numériques

AVIS

N'utilisez pas les sorties numériques pour des fonctions de commande de processus telles que la commutation de pompe ou l'arrêt du circuit d'eau. Les raccordements de sortie numérique ne remplacent pas un automate programmable (PLC).

Le module d'E/S comporte quatre sorties numériques auxquelles vous pouvez connecter des appareils compatibles tels qu'un indicateur d'alarme, un bipeur ou un automate programmable (PLC). Reportez-vous à la [Figure 4](#) à la page 28, à la [Figure 5](#) à la page 29 et au [Tableau 4](#) pour réaliser le branchement des sorties numériques. Reportez-vous à la section [Caractéristiques](#) à la page 19 pour connaître les caractéristiques techniques des sorties numériques.

Les sorties numériques sont des interrupteurs flottants indépendants lorsque l'entrée PULLUP V et les résistances de tirage internes associées ne sont pas utilisées. Ces interrupteurs sont normalement ouverts. Ils se ferment en présence de l'alarme sélectionnée par l'utilisateur.

Pour utiliser l'entrée PULLUP V en option et les résistances de tirage internes correspondantes de 10 k Ω , fournissez la tension nécessaire aux broches PULLUP V et COM (broche 14). Placez ensuite un cavalier reliant la broche OUT # LO à la broche COM. Le niveau logique du signal de sortie est bas actif.

Tableau 4 Câblage – sorties numériques

Broche	Description
OUT # HI	Positif
OUT # LO	Négatif
COM	Commune
PULLUP V	+25 V cc maximum ⁴
COM (broche 14)	Commune pour PULLUP V

Pose des panneaux

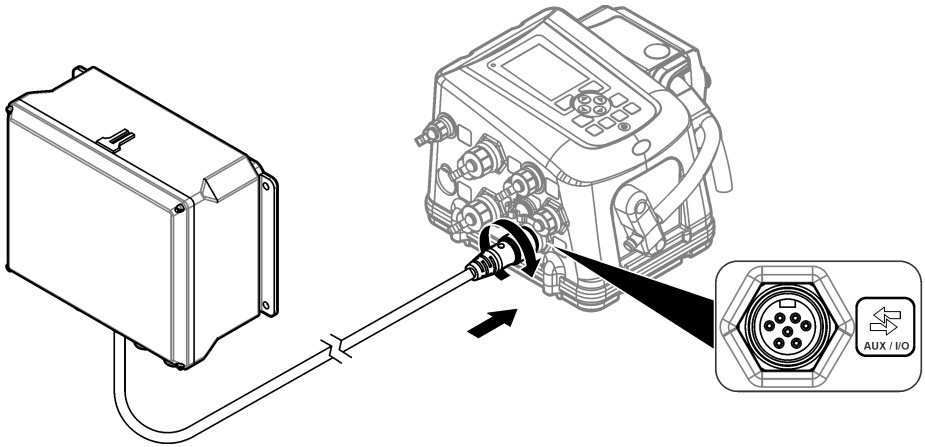
Installez les panneaux à l'aide du matériel fourni, afin de maintenir la protection garantie par le boîtier. Reportez-vous à la section [Retrait des panneaux](#) à la page 27. Veillez à ce que les panneaux soient bien fermés.

Connexion à l'échantillonneur

Branchez le câble du module d'E/S au port AUX E/S de l'échantillonneur. Reportez-vous à la [Figure 8](#).

⁴ Définit la tension du niveau logique haut pour les sorties numériques.

Figure 8 Connexion à l'échantillonneur



Configuration

Configuration du port AUX d'E/S

1. Appuyez sur **MENU**.
2. Sélectionnez Hardware Setup>AUX and I/O Port>Type>I/O Module (Configuration matérielle>Port d'E/S et AUX>Type>Module d'E/S).

Activation des relais

Activez les relais connectés à des instruments externes.

1. Appuyez sur **MENU**.
2. Sélectionnez AC Relays (Relais AC).
3. Sélectionnez les relais concernés.

Configuration des relais et des sorties numériques

Sélectionnez les alarmes déclenchant les relais et/ou les sorties numériques. Vous devez configurer les alarmes avant de réaliser cette tâche. Reportez-vous à la documentation de l'échantillonneur.

1. Appuyez sur **MENU**.
2. Sélectionnez Programming>Alarm Programming (Programmation>Programmation d'alarme).
3. Pour sélectionner une alarme système (par exemple, erreur de pompe ou flacon plein) :
 - a. Sélectionnez System Alarms (Alarmes système)>[Sélectionner une alarme système], puis appuyez sur **Next** (Suivant).
 - b. Sélectionnez Action et appuyez sur **Edit** (Modifier).
 - c. Sélectionnez une option, puis appuyez sur **OK**.

Remarque : En présence des alarmes système suivantes, le relais ou la sortie numérique change d'état pendant 4 secondes seulement. En revanche, les autres alarmes système entraînent un changement d'état du relais qui se prolonge tant que l'alarme reste active.

- Démarrage du programme
- Fin du programme
- Changement du flacon

- *Echantillon terminé*
- *Echantillon manqué*
- *Erreur de purge*
- *Erreur du bras distributeur*
- *Erreur de pompe*

Option	Description
Set Relay 1 (Définir le relais 1) (2, 3 ou 4)	Permet de spécifier que le relais sélectionné changera d'état en présence de l'alarme. Le contact normalement fermé (NC, normally closed) du relais s'ouvre lorsque l'alarme est active. Le contact normalement ouvert (NO, normally open) du relais se ferme lorsque l'alarme est active. L'alarme est consignée dans le journal des alarmes.
Set Digital Output 1 (Définir la sortie numérique 1) (2, 3 ou 4)	Permet de spécifier que la sortie numérique sélectionnée présente une commutation fermée ou une basse tension logique lorsque l'alarme est active. L'alarme est consignée dans le journal des alarmes.

4. Pour sélectionner une alarme de point de consigne de canal :

a. Sélectionnez Channel Alarms (Alarmes du canal)>[Sélectionner une alarme de canal], puis appuyez sur **Next** (Suivant).

Remarque : Le numéro qui suit une alarme de canal identifie le capteur source. Par exemple, Temp 2 correspond à la mesure de température fournie par le capteur 2.

b. Sélectionnez Action et appuyez sur **Edit** (Modifier).

c. Sélectionnez une option, puis appuyez sur **OK**.

Option	Description
Set Relay 1 (Définir le relais 1) (2, 3 ou 4)	Permet de spécifier que le relais sélectionné changera d'état en présence de l'alarme. Le contact normalement fermé (NC, normally closed) du relais s'ouvre lorsque l'alarme est active. Le contact normalement ouvert (NO, normally open) du relais se ferme lorsque l'alarme est active. L'alarme est consignée dans le journal des alarmes.
Set Digital Output 1 (Définir la sortie numérique 1) (2, 3 ou 4)	Permet de spécifier que la sortie numérique sélectionnée présente une commutation fermée ou une basse tension logique lorsque l'alarme est active. L'alarme est consignée dans le journal des alarmes.

Configuration des entrées analogiques

1. Appuyez sur **MENU**.

2. Sélectionnez Hardware Setup>AUX and I/O Port>Analog Inputs>[Sélectionner l'entrée analogique]>Setup Wizard (Configuration matérielle>Port d'E/S et AUX>Entrées analogiques)>[Sélectionner l'entrée analogique]>Assistant de configuration).

3. A l'aide de la flèche **BAS**, sélectionnez Enable (Activer) et appuyez sur **Next** (Suivant).

4. Suivez les instructions affichées à l'écran. Reportez-vous au [Tableau 5](#) pour une description des réglages.

Remarque : Pour rétablir les valeurs d'usine pour les réglages et l'étalonnage des entrées analogiques, sélectionnez Restore Defaults (Rétablir les valeurs par défaut).

Tableau 5 Réglages des entrées analogiques

Réglage	Description
Select Source Type (Sélectionner le type de source)	Spécifie la mesure indiquée sur l'entrée analogique sélectionnée. Options : Level, Velocity, Flow, Temp, pH (Niveau, Vitesse, Débit, Température, pH)
Select Loop Scale (Sélectionner l'échelle de la boucle)	Définit la plage analogique de l'entrée analogique. Options : 0–20 mA ou 4–20 mA

Configuration des sorties analogiques

1. Appuyez sur **MENU**.
2. Sélectionnez Hardware Setup>AUX and I/O Port>Analog Outputs>[Sélectionner la sortie analogique]>Setup Wizard (Configuration matérielle>Port d'E/S et AUX>Sorties analogiques)>[Sélectionner la sortie analogique]>Assistant de configuration).
3. A l'aide de la flèche **BAS**, sélectionnez Enable (Activer) et appuyez sur **Next** (Suivant).
4. Suivez les instructions affichées à l'écran. Reportez-vous au [Tableau 6](#) pour une description des réglages.

Remarque : Pour rétablir les valeurs d'usine pour les réglages et l'étalonnage des sorties analogiques, sélectionnez *Restore Defaults* (Rétablir les valeurs par défaut).

Tableau 6 Réglages des sorties analogiques

Réglage	Description
Select Source (Sélectionner la source)	Spécifie la mesure indiquée sur la sortie analogique sélectionnée. Il est possible de sélectionner uniquement les mesures consignées dans le journal des données.
Select Loop Scale (Sélectionner l'échelle de la boucle)	Définit la plage analogique de la sortie analogique. Options : 0–20 mA ou 4–20 mA
Select Loop Power (Sélectionner l'alimentation de la boucle)	Permet de spécifier si la source d'alimentation de la boucle est interne ou externe. Internal (Interne) – Sélectionne l'échantillonneur comme source d'alimentation de la sortie analogique. External (Externe) – Sélectionne un autre appareil comme source d'alimentation de la sortie analogique. Si vous choisissez l'alimentation externe, l'échantillonneur se comporte comme un limiteur de courant variable.
Set Transfer Value (Régler une valeur de transfert)	Définit la valeur de boucle analogique fournie à la sortie analogique en cas d'erreur de mesure en entrée. Options : 3 à 25 mA Les erreurs de mesure en entrée se produisent dans les cas suivants : <ul style="list-style-type: none">• Dysfonctionnement du capteur.• Valeur de mesure en entrée fournie par le capteur non valide.• Capteur non détecté par le transmetteur.• Capteur retiré par l'utilisateur.

Étalonnage

Étalonnage des signaux analogiques

L'étalonnage des entrées analogiques permet de garantir que l'échantillonneur mesure correctement les signaux d'entrée analogiques (4 mA et 20 mA) fournis par des instruments externes.

L'étalonnage des sorties analogiques permet de garantir que les sorties analogiques (4 mA et 20 mA) fournies par l'échantillonneur présentent des valeurs correctes.

Matériel nécessaire : multimètre numérique fournissant un signal analogique

1. Appuyez sur **CALIBRATE** (Étalonner).
2. Sélectionnez I/O Module>Analog Input ou Analog Output (Module d'E/S>Entrée analogique ou Sortie analogique).
3. Sélectionnez l'entrée analogique (ou la sortie analogique) à étalonner.
4. Suivez les instructions affichées à l'écran. Connectez le multimètre aux bornes de l'entrée analogique ou de la sortie analogique concernée.

Entretien

⚠ DANGER



Dangers multiples. Seul le personnel qualifié doit effectuer les tâches détaillées dans cette section du document.

Nettoyage de l'instrument

Nettoyez l'extérieur de l'instrument avec un chiffon humide, puis essuyez l'instrument en ne laissant aucune trace d'humidité.

Remplacement d'un fusible

⚠ DANGER



Risque d'électrocution Avant d'effectuer cette tâche de maintenance, coupez l'alimentation de l'instrument et des relais.

⚠ DANGER



Risque d'incendie. Remplacez les fusibles par des fusibles de même type et de même calibre.

Matériel nécessaire : fusible, 5 x 20 mm, 1 A, 250 V, rapide

Remplacez tout fusible fondu pour garantir le fonctionnement correct de l'appareil. Reportez-vous à la section [Présentation du câblage](#) à la page 27 pour déterminer l'emplacement des fusibles.

1. Coupez l'alimentation de toutes les connexions des relais.
2. Retirez les panneaux. Reportez-vous à la section [Retrait des panneaux](#) à la page 27.
3. Retirez le fusible fondu de son support.
4. Insérez le nouveau fusible dans le support.
5. Réinstallez les panneaux.

Pièces de rechange

⚠ AVERTISSEMENT



Risque de blessures corporelles. L'utilisation de pièces non approuvées comporte un risque de blessure, d'endommagement de l'appareil ou de panne d'équipement. Les pièces de rechange de cette section sont approuvées par le fabricant.

Remarque : Les numéros de référence de produit et d'article peuvent dépendre des régions de commercialisation. Prenez contact avec le distributeur approprié ou consultez le site web de la société pour connaître les personnes à contacter.

Description	Article n°
Fusible, 5 x 20 mm, 1 A, 250 V, rapide	180003201
Serre-câble, pour un câble d'un diamètre de 4,3 à 11,4 mm (0,17 à 0,45 po)	5202500
Rondelle, obturation, NPT de ½ po	1033814
Ecrou, Nylon, ½-14, NPT	8774

Tabla de contenidos

[Especificaciones](#) en la página 37

[Información general](#) en la página 38

[Instalación](#) en la página 40

[Configuración](#) en la página 50

[Calibración](#) en la página 52

[Mantenimiento](#) en la página 52

[Piezas de repuesto](#) en la página 53

Especificaciones

Las especificaciones están sujetas a cambios sin previo aviso.

Especificación	Detalles
Dimensiones (L x A x P)	247 x 300 x 130 mm (9.71 x 11.82 x 5.12 pulg.)
Carcasa	IP66, NEMA 4X
Peso	2.5 kg (5.5 lb)
Categoría del nivel de contaminación/instalación	2, II
Clase de protección	II
Temperatura de funcionamiento	De -40 a 50 °C (de -40 a 122 °F)
Temperatura de almacenamiento	-40 a 80 °C (-40 a 176 °F)
Humedad en almacenamiento/funcionamiento	100%, sin condensación
Cable	Cable auxiliar, 2,74 m (9 pies)
Liberadores de tensión de los cables	Ocho
Requisitos de alimentación	12 a 15 V CC, 1 A suministrado por el controlador AS950
Salidas analógicas	IO9001: ninguno; IO9004: tres Bucle de corriente de 0/4–20 mA; alimentación externa del bucle (18 V CC como máximo) o alimentación interna del bucle (14 V CC mín., 18 V CC máx.; carga del bucle: 3,6 V máx. a 25 mA Tamaño del cable: 24 a 16 AWG, cobre sólido o trenzado. Las salidas analógicas presentan un aislamiento galvánico independiente ¹ .
Entradas analógicas	IO9001: ninguno; IO9004: dos Modo de entrada actual: 0/4–20 mA; 18 V CC máx.; carga del bucle de 108 Ω y 0,4 V máx. Modo de entrada del impulso de tensión: resistencia de entrada de 11 kΩ normalmente; nivel superior de impulso de 4 V mín. a 15 V máx.; nivel inferior de impulso de 0 V mín. a 2 V máx.; histéresis de 0,5 V normalmente; ancho de impulso (estado alto o bajo) de 50 ms mín. Tamaño del cable: 24 a 16 AWG, cobre sólido o trenzado. Las entradas analógicas presentan un aislamiento galvánico independiente ¹ .

¹ El aislamiento galvánico se utiliza para reducir los efectos de la interferencia del bucle de puesta a tierra. El aislamiento galvánico no proporciona un aislamiento seguro.

Especificación	Detalles
Salidas digitales	IO9001: ninguno; IO9004: cuatro Relés de cierre de contactos de baja tensión (± 30 V CC o 20 V CA-rms a 0,15 A máx.); actuación opcional a nivel lógico con alimentación externa (de 0 a 30 V CC) Tamaño del cable: 24 a 16 AWG, cobre sólido o trenzado. Las salidas digitales presentan un aislamiento galvánico como grupo. Si un interruptor no está referenciado al pin COM, presenta un aislamiento galvánico independiente ¹ .
Entradas digitales	IO9001: ninguno; IO9004: cuatro De 0 a 25 V CC (resistencia de entrada de 120 k Ω); umbral interno predeterminado de 1,5 V. Una tensión externa opcional aplicada a una entrada V _{th} suministra una tensión de umbral de 0,5*V _{th} . Tamaño del cable: 24 a 16 AWG, cobre sólido o trenzado. Las entradas digitales presentan un aislamiento galvánico como grupo ¹ .
Relés	IO9001: uno; IO9004: cuatro Forma en C; de 20 a 230 V CA y de 0,006 a 0,5 A Tamaño del cable: 20 a 14 AWG, cobre sólido o trenzado
Certificaciones	Normativas CE, UL/CSA (cETLus)
Garantía	EE. UU.: 1 año; UE: 2 años

Información general

En ningún caso el fabricante será responsable de ningún daño directo, indirecto, especial, accidental o resultante de un defecto u omisión en este manual. El fabricante se reserva el derecho a modificar este manual y los productos que describen en cualquier momento, sin aviso ni obligación. Las ediciones revisadas se encuentran en la página web del fabricante.

Información de seguridad

AVISO

El fabricante no es responsable de ningún daño debido a un mal uso de este producto incluyendo, sin limitación, daños directos, fortuitos o circunstanciales y reclamaciones sobre los daños que no estén recogidos en la legislación vigente. El usuario es el responsable de la identificación de los riesgos críticos y de tener los mecanismos adecuados de protección de los procesos en caso de un posible mal funcionamiento del equipo.

Lea todo el manual antes de desembalar, instalar o trabajar con este equipo. Ponga atención a todas las advertencias y avisos de peligro. El no hacerlo puede provocar heridas graves al usuario o daños al equipo.

Asegúrese de que la protección proporcionada por el equipo no está dañada. No utilice ni instale este equipo de manera distinta a lo especificado en este manual.

Uso de la información sobre riesgos

▲ PELIGRO

Indica una situación potencial o de riesgo inminente que, de no evitarse, provocará la muerte o lesiones graves.

▲ ADVERTENCIA

Indica una situación potencial o inminentemente peligrosa que, de no evitarse, podría provocar la muerte o lesiones graves.

▲ PRECAUCIÓN




Indica una situación potencialmente peligrosa que podría provocar una lesión menor o moderada.

AVISO

Indica una situación que, si no se evita, puede provocar daños en el instrumento. Información que requiere especial énfasis.

Etiquetas de precaución

Lea todas las etiquetas y rótulos adheridos al instrumento. En caso contrario, podrían producirse heridas personales o daños en el instrumento. Cada símbolo que aparezca en el instrumento se indica en el manual con una explicación de advertencia.

	Este es un símbolo de alerta de seguridad. Obedezca todos los mensajes de seguridad que se muestran junto con este símbolo para evitar posibles lesiones. Si se encuentran sobre el instrumento, consulte el manual de instrucciones para obtener información de funcionamiento o seguridad.
	Este símbolo indica que hay riesgo de descarga eléctrica y/o electrocución.
	En Europa, el equipo eléctrico marcado con este símbolo no se debe desechar mediante el servicio de recogida de basura doméstica o pública. Devuelva los equipos viejos o que hayan alcanzado el término de su vida útil al fabricante para su eliminación sin cargo para el usuario.

Certificación

Reglamentación canadiense sobre equipos que provocan interferencia, IECS-003, Clase A

Registros de pruebas de control del fabricante.

Este aparato digital de clase A cumple con todos los requerimientos de las reglamentaciones canadienses para equipos que producen interferencias.

Cet appareil numérique de classe A répond à toutes les exigences de la réglementation canadienne sur les équipements provoquant des interférences.

FCC Parte 15, Límites Clase "A"

Registros de pruebas de control del fabricante. Este dispositivo cumple con la Parte 15 de las normas de la FCC estadounidense. Su operación está sujeta a las siguientes dos condiciones:

1. El equipo no puede causar interferencias perjudiciales.
2. Este equipo debe aceptar cualquier interferencia recibida, incluyendo las interferencias que pueden causar un funcionamiento no deseado.

Los cambios o modificaciones a este equipo que no hayan sido aprobados por la parte responsable podrían anular el permiso del usuario para operar el equipo. Este equipo ha sido probado y encontrado que cumple con los límites para un dispositivo digital Clase A, de acuerdo con la Parte 15 de las Reglas FCC. Estos límites están diseñados para proporcionar una protección razonable contra las interferencias perjudiciales cuando el equipo está operando en un entorno comercial. Este equipo genera, utiliza y puede irradiar energía de radio frecuencia, y si no es instalado y utilizado de acuerdo con el manual de instrucciones, puede causar una interferencia dañina a las radio comunicaciones. La operación de este equipo en un área residencial es probable que produzca interferencia dañina, en cuyo caso el usuario será requerido para corregir la interferencia bajo su propio cargo. Pueden utilizarse las siguientes técnicas para reducir los problemas de interferencia:

1. Desconecte el equipo de su fuente de alimentación para verificar si éste es o no la fuente de la interferencia.
2. Si el equipo está conectado a la misma toma eléctrica que el dispositivo que experimenta la interferencia, conecte el equipo a otra toma eléctrica.
3. Aleje el equipo del dispositivo que está recibiendo la interferencia.
4. Cambie la posición de la antena del dispositivo que recibe la interferencia.
5. Trate combinaciones de las opciones descritas.

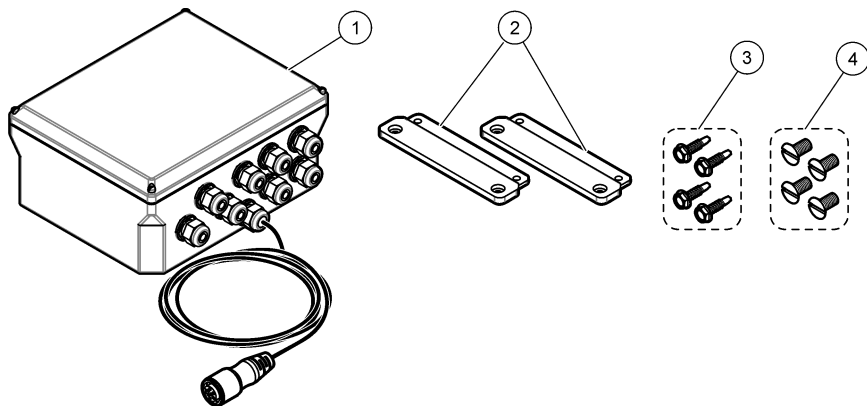
Descripción general del producto

El módulo I/O se conecta a un tomamuestras AS950 para proporcionarle terminales de entrada analógica, salida analógica, entrada digital, salida digital y relé.

Componentes del producto

Asegúrese de haber recibido todos los componentes. Consulte la [Figura 1](#). Si faltan artículos o están dañados, póngase en contacto con el fabricante o el representante de ventas inmediatamente.

Figura 1 Componentes del producto



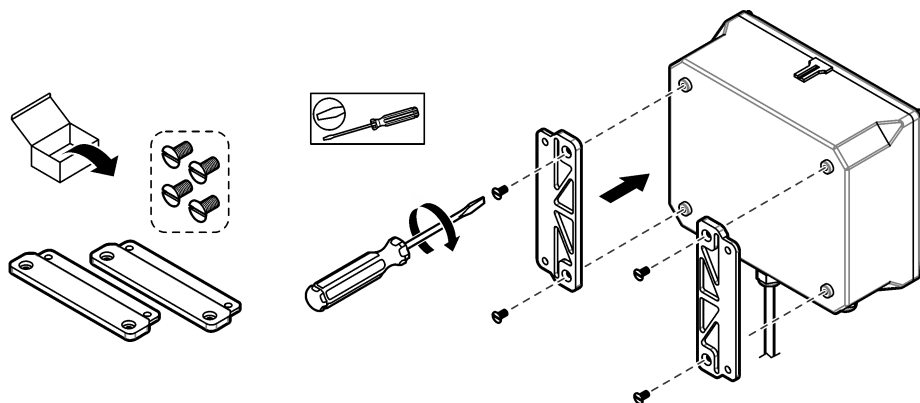
1 Módulo IO9000	3 Tornillos autorroscantes
2 Soportes de montaje	4 Tornillos para soportes de montaje

Instalación

Este instrumento está clasificado para una altitud de 2000 m (6562 pies) como máximo. Aunque el uso de este equipo a más de 2000 m de altitud no supone ningún problema de seguridad, el fabricante recomienda que los usuarios que tengan algún tipo de duda al respecto se pongan en contacto con el servicio de asistencia técnica.

Instalación de los soportes

Instale los soportes, como se muestra en los siguientes pasos ilustrados.



Montaje del instrumento

AVISO

Pueden producirse daños en los componentes internos si un tornillo penetra en el lateral del tomamuestras refrigerado más de 12,5 mm (0,5 pulg.). Utilice los tornillos suministrados para evitar daños en el tomamuestras refrigerado.

Enchufe el módulo I/O a una superficie vertical plana que permita al usuario desconectar fácilmente el módulo I/O del controlador AS950. Asegúrese de que el módulo I/O está suficientemente cerca del tomamuestras para poder conectar el cable al puerto AUX I/O. Consulte la [Figura 2](#) para fijar el módulo I/O a la pared.

Consulte la [Figura 3](#) para fijar el módulo I/O al tomamuestras.

Figura 2 Montaje en pared

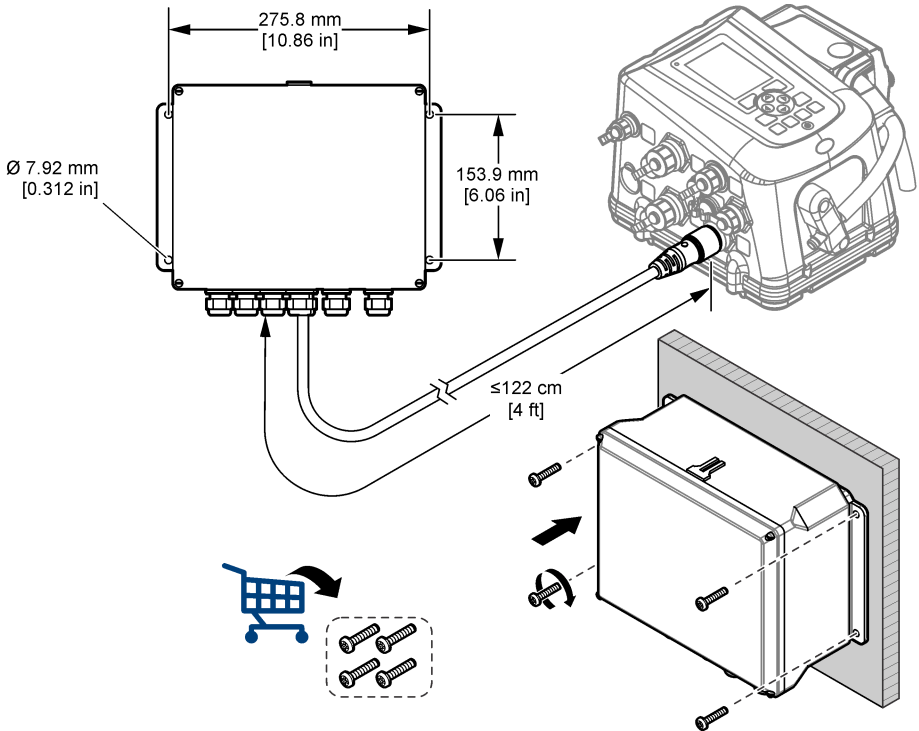
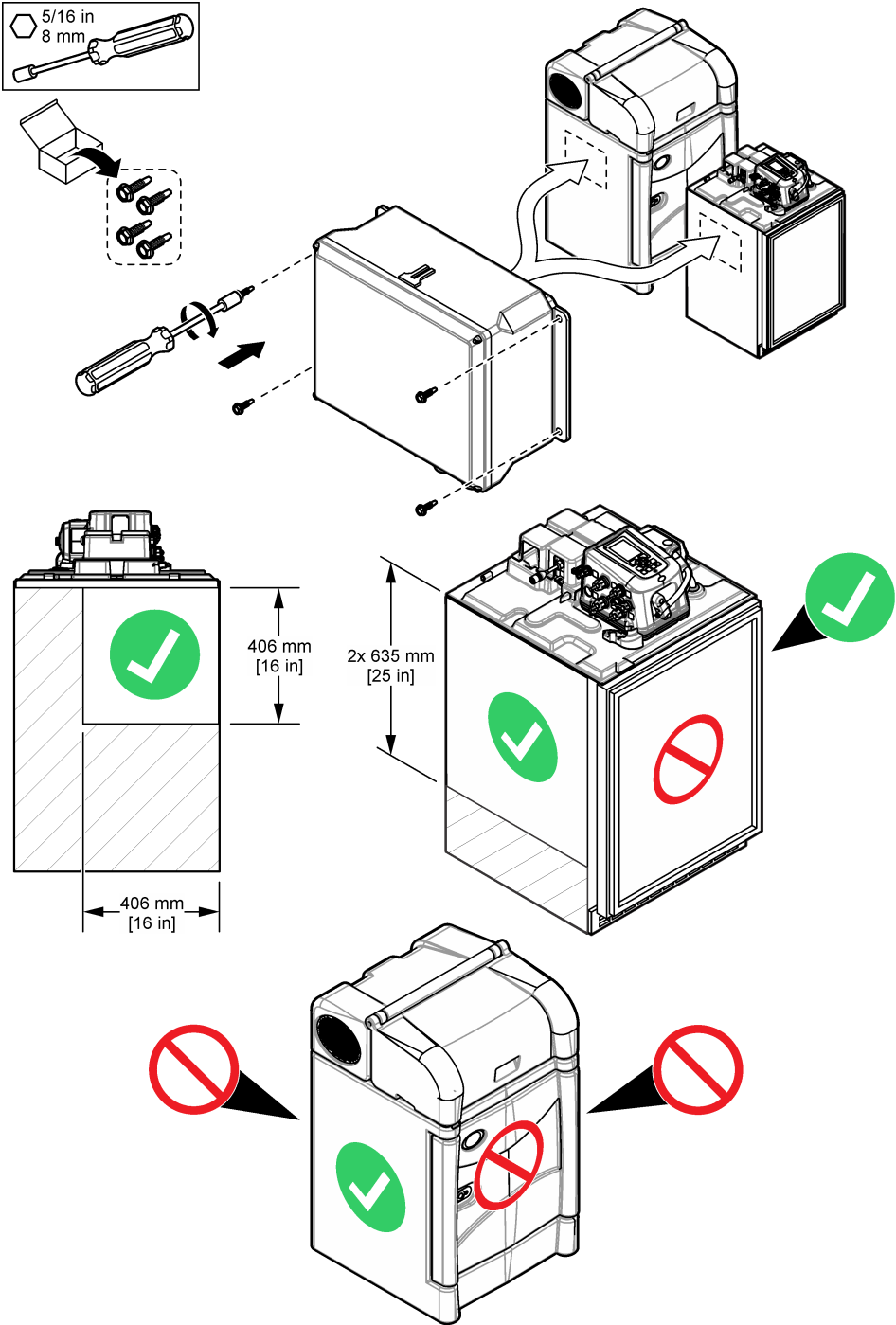


Figura 3 Ubicaciones de montaje en el tomamuestras



Instalación eléctrica

⚠ PELIGRO



Peligro de electrocución. Desconecte siempre la alimentación eléctrica del instrumento antes de realizar conexiones eléctricas.

⚠ PELIGRO



Peligro de electrocución. Utilice únicamente accesorios que cuenten con el tipo de protección medioambiental especificado. Respete los requisitos de la sección Especificaciones.

⚠ ADVERTENCIA



Riesgo de descargas eléctricas. El equipo conectado de forma externa debe someterse a una evaluación estándar de seguridad aplicable.

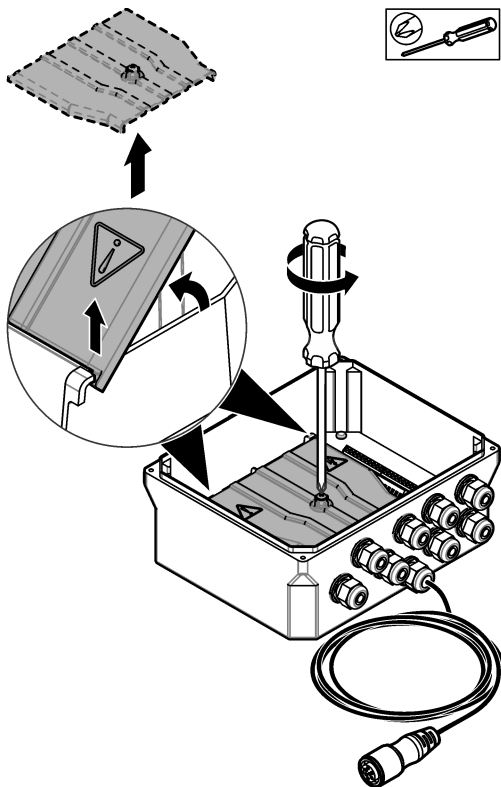
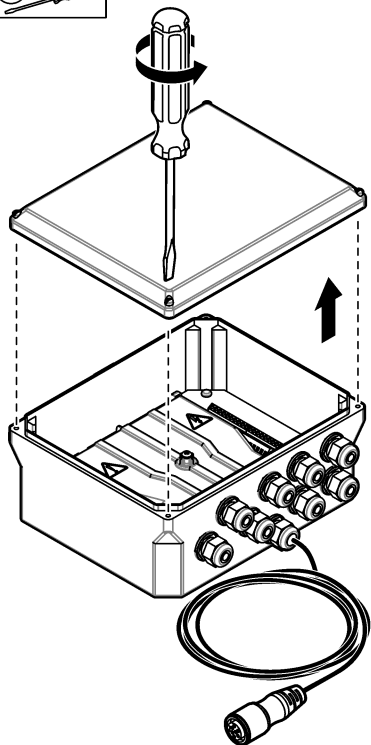
AVISO

Compruebe que el equipo está conectado al instrumento según las regulaciones locales, regionales y nacionales.

- Utilice cables con un diámetro de 4,3 a 11,4 mm (0,17 a 0,45 pulg.) para que los liberadores de tensión de los cables sostengan los cables cuando se ajusten.
- No ponga más de un cable en un liberador de tensión de cable.
- Para conectar el conducto a un terminal, sustituya un liberador de tensión del cable instalado por un accesorio del conducto. Para conectar el conducto al módulo I/O, sustituya el liberador de tensión del cable correspondiente por un conducto de sellado para adherir el conducto a la placa del módulo I/O. Para conseguir una conexión a tierra fiable de baja impedancia, se puede tirar de un cable de puesta a tierra independiente con un calibre equivalente y enchufarlo al terminal a tierra en la placa de conexión.
- Cierre todos los liberadores de tensión de los cables que no se utilicen con varillas, cables o con los cordones de sellado suministrados para protegerlos de la humedad.
- Para las conexiones de relé, es necesario utilizar un interruptor de circuito de 20 A (como máximo). Las conexiones de relé deben disponer de un dispositivo de desconexión local. El dispositivo de desconexión debe estar claramente identificado como tal. Asegúrese de que el dispositivo se encuentra en una ubicación con suficiente espacio alrededor para poder realizar conexiones y tareas de mantenimiento.

Extracción de las cubiertas

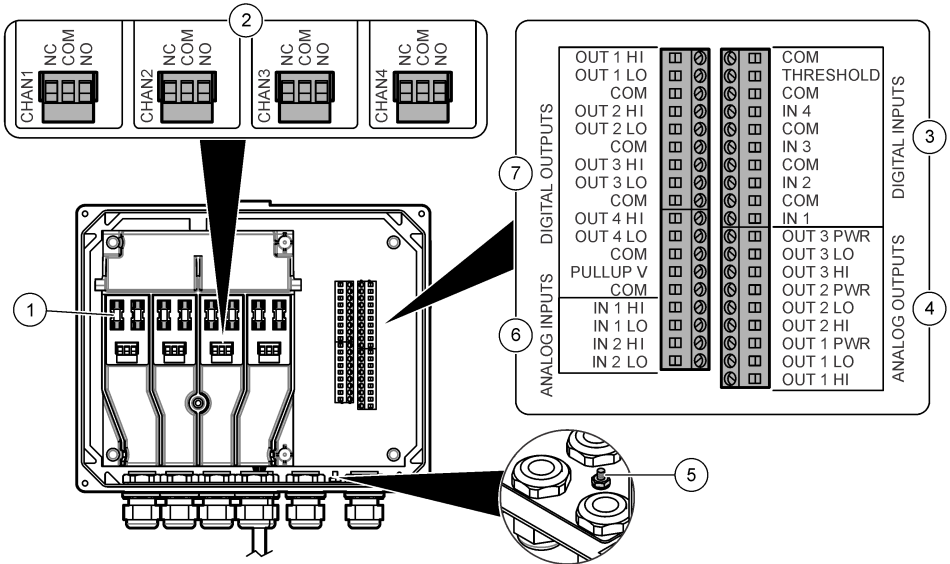
Retire las cubiertas, como se muestra en los siguientes pasos ilustrados.



Descripción general del cableado

La [Figura 4](#) muestra las conexiones del cableado y las ubicaciones de los fusibles. Consulte la [Figura 5](#) para preparar e instalar el cableado.

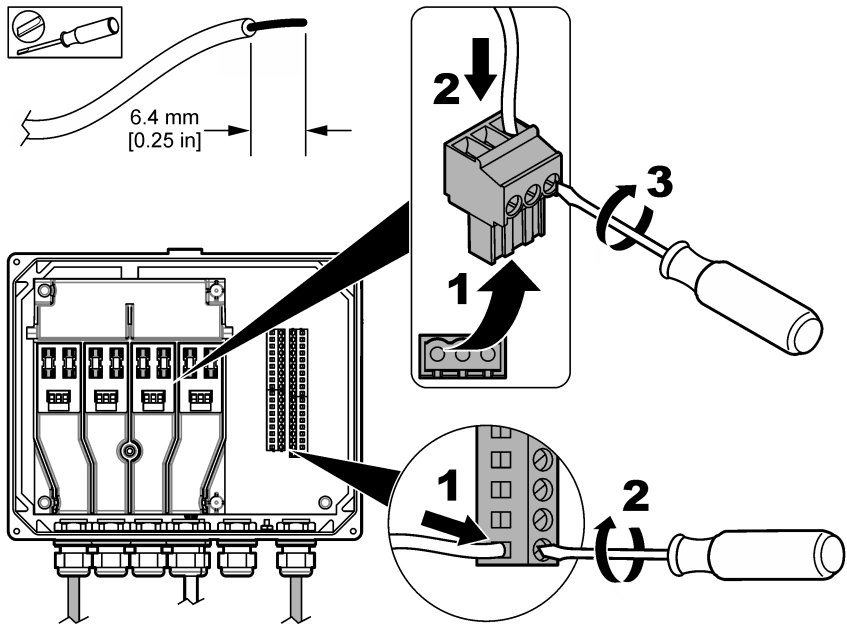
Figura 4 Descripción general del cableado



1 Fusible (8x)	5 Clavija de conexión a tierra para cables blindados ²
2 Relés (4x)	6 Entradas analógicas (2x)
3 Entradas digitales (4x)	7 Salidas digitales (4x)
4 Salidas analógicas (3x)	

² Utilice terminales de anillo para realizar las conexiones. Los terminales de anillo no se suministran.

Figura 5 Instalación de los cables



Conexión de los relés

⚠ ADVERTENCIA



Possible peligro de electrocución. Las terminales de alimentación y de los relés están diseñadas para usar con un solo cable por terminal. No conecte más de un cable a cada terminal.

⚠ ADVERTENCIA



Possible peligro de fuego. No conecte entre sí las conexiones de relé comunes o el cable de puente de las conexiones de alimentación del interior del instrumento.

⚠ PRECAUCIÓN



Peligro de incendio. Las cargas del relé deben ser resistivas. Limite siempre la corriente que reciben los relés mediante un fusible o un disyuntor. Respete los tipos de relés de la sección Especificaciones.

El módulo I/O tiene cuatro relés de alarma sin alimentación. Cada relé cambia de estado cuando se produce la condición de alarma seleccionada para el relé. La condición de alarma incluye uno o varias alarmas en una configuración de operadores lógicos booleanos OR o AND. Consulte la [Configuración de los relés y las salidas digitales](#) en la página 50.

Conecte los relés a un dispositivo de control o un dispositivo de alarma. Consulte la [Figura 4](#) en la página 45, la [Figura 5](#) en la página 46 y la [Tabla 1](#) para conectar los relés. Consulte [Especificaciones](#) en la página 37 para ver las especificaciones de los relés. Los relés están aislados unos de otros y de los circuitos de entrada/salida de baja tensión.

Los terminales del relé aceptan un cable de 20 a 14 AWG (según lo determinado por aplicación de carga). Utilice un cable con un valor nominal de aislamiento de 300 V CA o superior

La corriente a los contactos del relé debe ser como máximo de 0,5 A. Asegúrese de que haya disponible un segundo interruptor para quitar alimentación de los relés de forma local en caso de emergencia o para realizar tareas de mantenimiento.

Cuando active grandes cargas inductivas (p. ej., motores y bombas) o corrientes superiores a 0,5 A, utilice un relé auxiliar para prolongar la vida útil del relé.

Las conexiones del terminal al circuito de corriente en aplicaciones de conexión permanentes deben estar aisladas para soportar como mínimo 300 V y 60 °C (140 °F). Los terminales conectados al circuito de corriente con una conexión por cable de alimentación deben tener un doble aislamiento para soportar 300 V y 60 °C (140 °F) tanto en el nivel de aislamiento interior como exterior.

Tabla 1 Cableado: relés

NC	COM	NO
Normalmente cerrado	Común	Normalmente abierto

Conexión de las entradas analógicas

El módulo I/O tiene dos entradas analógicas. Conecte los instrumentos auxiliares (p. ej., un sensor ultrasónico de terceros) a las entradas analógicas para proporcionar mediciones al tomamuestras. Si desea conocer las especificaciones de las entradas analógicas, consulte [Especificaciones](#) en la página 37.

Conecte un instrumento auxiliar a cada entrada analógica con un cable de 24 a 16 AWG. Utilice un cable de 19 AWG a 16 AWG en su lugar, si el cable tiene una longitud de 7,62 m (25 pies) o más. Consulte la [Figura 4](#) en la página 45, la [Figura 5](#) en la página 46 y la [Tabla 2](#) para conectar las entradas analógicas.

Realice las conexiones con un cable blindado de par trenzado. Conecte el blindaje a una clavija en la placa posterior del conducto o en el extremo del cable.

- No conecte la protección a ambos extremos del cable.
- La utilización de cable no blindado puede causar emisiones de radiofrecuencia o niveles de sensibilidad mayores a lo permitido.

Tabla 2 Cableado: entradas analógicas

Pin	Descripción
IN # HI	+
IN # LO	-

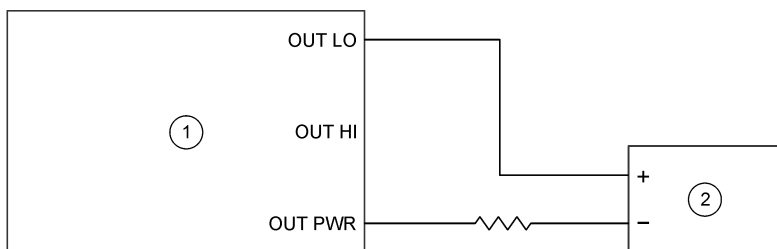
Conexión de las salidas analógicas

El módulo I/O tiene tres salidas analógicas aisladas de 0–20 mA o 4–20 mA. Configure las salidas analógicas para que proporcionen una medición desde el tomamuestras al instrumento externo. Si desea conocer las especificaciones de las salidas analógicas, consulte [Especificaciones](#) en la página 37.

Consulte la [Figura 6](#) y la [Figura 7](#) para conectar las salidas analógicas. Consulte la [Figura 4](#) en la página 45 y la [Figura 5](#) en la página 46 para realizar conexiones del cableado. Realice las conexiones con un cable blindado de par trenzado y conecte el blindaje a una clavija de conexión a tierra en la placa posterior del circuito.

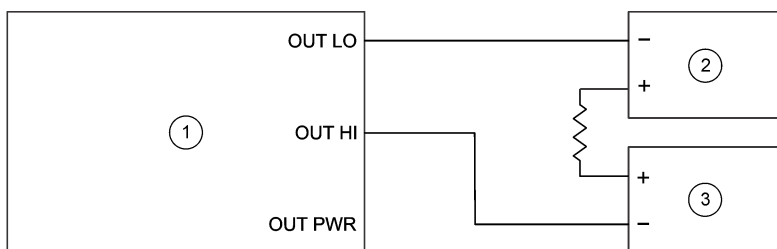
- No conecte la protección a ambos extremos del cable.
- La utilización de cable no blindado puede causar emisiones de radiofrecuencia o niveles de sensibilidad mayores a lo permitido.

Figura 6 Bucle con alimentación del módulo I/O



1 Salida analógica	2 Dispositivo externo
--------------------	-----------------------

Figura 7 Bucle con alimentación externa



1 Salida analógica	3 Dispositivo externo
2 Fuente de alimentación externa	

Conexión de las entradas digitales

El módulo I/O tiene cuatro entradas digitales³. Conecte un dispositivo remoto o un interruptor a las entradas digitales. Consulte la [Figura 4](#) en la página 45, la [Figura 5](#) en la página 46 y la [Tabla 3](#) para conectar las entradas digitales. Si desea conocer las especificaciones de las entradas digitales, consulte [Especificaciones](#) en la página 37.

Cada entrada digital tiene un terminal positivo y uno común compartido con una resistencia de entrada de 120 kΩ. El umbral predeterminado es de 1,5 V. Cuando se utiliza el umbral opcional suministrado por el cliente, el umbral se establece al 50% de la tensión aplicada al pin del umbral (de 0 a 25 V CC).

Tabla 3 Cableado: entradas digitales

Pin	Descripción
COM (pin 1)	Negativo para UMBRAL
UMBRAL	25 V CC como máximo
COM	Negativo
IN #	Positivo

³ Las entradas digitales no son compatibles con la versión inicial del firmware del controlador AS950.

Conexión de las salidas digitales

AVISO

No utilice salidas digitales para funciones de control del proceso como el encendido/apagado de la bomba o el apagado del sistema de agua. Las conexiones de salida digital no sustituyen al controlador lógico programable.

El módulo I/O tiene cuatro salidas digitales. Conecte un dispositivo compatible, como un indicador de alarma remota, un avisador acústico o PLC, a las salidas digitales. Consulte la [Figura 4](#) en la página 45, la [Figura 5](#) en la página 46 y la [Tabla 4](#) para conectar las salidas digitales. Si desea conocer las especificaciones de las salidas digitales, consulte [Especificaciones](#) en la página 37.

Las salidas digitales son interruptores flotantes independientes cuando no se utilizan la entrada PULLUP V ni los resistores de actuación internos. Los interruptores están abiertos normalmente. Los interruptores se cierran cuando se producen las condiciones de alarma seleccionadas por el usuario.

Para utilizar la entrada PULLUP V opcional y los resistores de actuación internos de 10 k Ω relacionados, suministre la tensión aplicable a los pines PULLUP V y COM (pin 14). A continuación, conecte un interconector del pin OUT # LO al pin COM. La lógica de señal de salida está baja activa.

Tabla 4 Cableado: salidas digitales

Pin	Descripción
OUT # HI	Positivo
OUT # LO	Negativo
COM	Común
PULLUP V	+25 V CC como máximo ⁴
COM (pin 14)	Común para PULLUP V

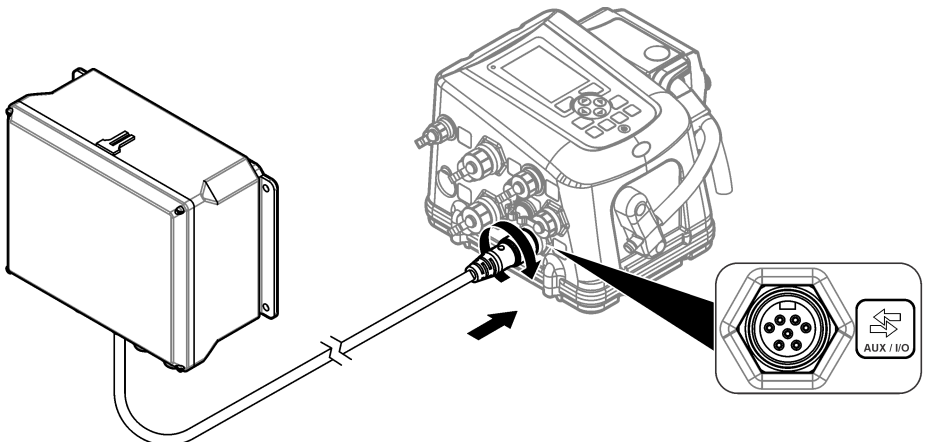
Instalación de las cubiertas

Instale las cubiertas con el hardware suministrado para conservar la protección que proporciona la carcasa. Consulte la [Extracción de las cubiertas](#) en la página 44. Asegúrese de que las cubiertas están bien cerradas.

Conexión del tomamuestras

Conecte el cable del módulo I/O al puerto AUX I/O del tomamuestras. Consulte la [Figura 8](#).

Figura 8 Conexión del tomamuestras



⁴ Establece la tensión lógica alta para las salidas digitales.

Configuración

Configuración del puerto de E/S auxiliar

1. Pulse **MENU** (Menú).
2. Seleccione Hardware Setup (Configuración del hardware) > AUX y I/O Port (Puerto I/O) > Type (Tipo) > I/O Module (Módulo I/O).

Habilitación de los relés

Habilite los relés que están conectados a los instrumentos externos.

1. Pulse **MENU** (Menú).
2. Seleccione los relés de CA.
3. Seleccione los relés correspondientes.

Configuración de los relés y las salidas digitales

Seleccione las alarmas que activan los relés o las salidas digitales. Configure las alarmas antes de iniciar esta tarea. Consulte la documentación del tomamuestras.

1. Pulse **MENU** (Menú).
2. Seleccione Programming>Alarm Programming (Programación>Programación de alarmas).
3. Para seleccionar una alarma del sistema (p. ej., error de la bomba o botella llena):
 - a. Seleccione System Alarms (Alarmas del sistema) > [seleccione una alarma del sistema] y, a continuación, pulse **Next** (Siguiente).
 - b. Seleccione Action (Acción) y, a continuación, pulse **Edit** (Editar).
 - c. Seleccione una opción y pulse **OK** (Aceptar).

Nota: Cuando se producen las alarmas que se indican a continuación, el relé o la salida digital cambia de estado solo durante 4 segundos. En el caso de las demás alarmas del sistema, el relé cambia de estado de forma continuada mientras la alarma está activa.

- Program Start (Inicio del programa)
- Program End (Fin del programa)
- Bottle Change (Cambio de botella)
- Sample Complete (Muestra completa)
- Missed Sample (Muestra perdida)
- Purge Error (Error de purga)
- Distributor Arm Error (Error del brazo del distribuidor)
- Pump Fault (Bomba defectuosa)

Opción	Descripción
Set Relay 1 (Establecer relé 1) (2, 3 o 4)	Establece que el relé seleccionado cambiará el estado cuando la alarma está activa. El contacto normalmente cerrado (NC) del relé se abre cuando la alarma está activa. El contacto normalmente abierto (NO) del relé se cierra cuando la alarma está activa. La alarma se registra en el registro de alarmas.
Set Digital Output 1 (Establecer salida digital 1) (2, 3 o 4)	Establece para la salida digital seleccionada un interruptor cerrado o una tensión lógica baja cuando la alarma está activa. La alarma se registra en el registro de alarmas.

4. Para seleccionar la alarma de punto de referencia de un canal:
 - a. Seleccione Channel Alarms (Alarmas del canal) > [seleccione una alarma del canal] y, a continuación, pulse **Next** (Siguiente).

Nota: El número que sigue a una alarma de canal identifica el sensor de origen. Por ejemplo, Temp 2 (Temperatura 2) es la medición de temperatura proporcionada por el sensor 2.

- b. Seleccione Action (Acción) y, a continuación, pulse **Edit** (Editar).
- c. Seleccione una opción y pulse **OK** (Aceptar).

Opción	Descripción
Set Relay 1 (Establecer relé 1) (2, 3 o 4)	Establece que el relé seleccionado cambiará el estado cuando la alarma está activa. El contacto normalmente cerrado (NC) del relé se abre cuando la alarma está activa. El contacto normalmente abierto (NO) del relé se cierra cuando la alarma está activa. La alarma se registra en el registro de alarmas.
Set Digital Output 1 (Establecer salida digital 1) (2, 3 o 4)	Establece para la salida digital seleccionada un interruptor cerrado o una tensión lógica baja cuando la alarma está activa. La alarma se registra en el registro de alarmas.

Configuración de las entradas analógicas

1. Pulse **MENU** (Menú).
2. Seleccione Hardware Setup (Configuración del hardware) > AUX y I/O Port (Puerto I/O) > Analog Inputs (Entradas analógicas) > [seleccione la entrada analógica] > Setup Wizard (Asistente de configuración).
3. Utilice la flecha **DOWN** (Abajo) para seleccionar Enable (Habilitar) y, a continuación, pulse **Next** (Siguiente).
4. Siga los mensajes de la pantalla. Si desea conocer las descripciones de los ajustes, consulte la [Tabla 5](#).

Nota: Para establecer los ajustes de entrada analógica y la calibración a los valores predeterminados de fábrica, seleccione *Restore Defaults* (Restaurar valores predeterminados).

Tabla 5 Ajustes de entrada analógica

Ajuste	Descripción
Select Source Type (Seleccionar tipo de fuente)	Selecciona la medición que se muestra en la entrada analógica seleccionada. Opciones: Level (Nivel), Velocity (Velocidad), Flow (Flujo), Temp (Temperatura), pH.
Select Loop Scale (Seleccionar escala del bucle)	Establece el rango analógico para la entrada analógica. Opciones: 0–20 mA o 4–20 mA.

Configuración de las salidas analógicas

1. Pulse **MENU** (Menú).
2. Seleccione Hardware Setup (Configuración del hardware) > AUX y I/O Port (Puerto I/O) > Analog Outputs (Salidas analógicas) > [seleccione la salida analógica] > Setup Wizard (Asistente de configuración).
3. Utilice la flecha **DOWN** (Abajo) para seleccionar Enable (Habilitar) y, a continuación, pulse **Next** (Siguiente).
4. Siga los mensajes de la pantalla. Si desea conocer las descripciones de los ajustes, consulte la [Tabla 6](#).

Nota: Para establecer los ajustes de salida analógica y la calibración a los valores predeterminados de fábrica, seleccione *Restore Defaults* (Restaurar valores predeterminados).

Tabla 6 Ajustes de salida analógica

Ajuste	Descripción
Select Source (Seleccionar fuente)	Selecciona la medición que se muestra en la salida analógica seleccionada. Solo pueden seleccionarse las mediciones que constan en el registro de datos.
Select Loop Scale (Seleccionar escala del bucle)	Establece el rango analógico para la salida analógica. Opciones: 0–20 mA o 4–20 mA.

Tabla 6 Ajustes de salida analógica (continúa)

Ajuste	Descripción
Select Loop Power (Seleccionar alimentación del bucle)	Establece si la fuente de alimentación del bucle es interna o externa. Internal (Interna): selecciona el tomamuestras como fuente de alimentación de la salida analógica. External (Externa): selecciona otro dispositivo como fuente de alimentación de la salida analógica. Cuando se selecciona la fuente externa, el tomamuestras actúa como dispositivo de límite de corriente variable.
Set Transfer Value (Establecer valor de transferencia)	Establece el valor de bucle analógico que proporciona la salida analógica cuando se produce un error de medición de entrada. Opciones: 3,0 a 25,0 mA Los errores de medición de entrada se producen en las siguientes condiciones: <ul style="list-style-type: none"> • Se produce un error de funcionamiento del sensor. • El valor de medición de entrada del sensor no es válido. • El controlador no detecta el sensor. • El usuario ha retirado el sensor.

Calibración

Calibración de las señales analógicas

Calibre las entradas analógicas para garantizar que el tomamuestras mide correctamente las señales de entrada analógica (4 mA y 20 mA) proporcionadas por los instrumentos externos. Calibre las salidas analógicas para garantizar de las salidas analógicas (4 mA y 20 mA) proporcionadas por el tomamuestras muestran los valores correctos.

Recopilación de elementos: multímetro digital que proporciona una señal analógica

1. Pulse **CALIBRATE** (Calibrar).
2. Seleccione I/O Module (Módulo I/O) > Analog Input (Entrada analógica) (o Analog Output [Salida analógica]).
3. Seleccione la entrada (o salida) analógica que desee calibrar.
4. Siga los mensajes de la pantalla. Conecte el multímetro a los terminales de entrada o salida analógica correspondientes.

Mantenimiento

▲ PELIGRO



Peligros diversos. Sólo el personal cualificado debe realizar las tareas descritas en esta sección del documento.

Limpieza del instrumento

Limpie el exterior del instrumento con un paño húmedo y una solución jabonosa suave y, a continuación, seque el instrumento.

Sustituya un fusible

▲ PELIGRO



Peligro de electrocución. Desconecte la alimentación eléctrica de las conexiones del instrumento y de los relés antes de comenzar esta tarea de mantenimiento.

⚠ PELIGRO



Peligro de incendio. Utilice el mismo tipo de fusibles con la misma corriente nominal cuando los sustituya.

Recopilación de elementos: Fusible, 5 x 20 mm, 1 A, 250 V, rápido

Cuando se funda un fusible, sustitúyalo para garantizar un correcto funcionamiento. Consulte [Descripción general del cableado](#) en la página 44 para obtener información sobre la ubicación de los fusibles.

1. Retire toda la alimentación de las conexiones del relé.
2. Extraiga las cubiertas. Consulte la [Extracción de las cubiertas](#) en la página 44.
3. Tire del fusible fundido para extraerlo del portafusibles.
4. Introduzca un fusible nuevo en el interior en el portafusibles.
5. Instale las cubiertas.

Piezas de repuesto

⚠ ADVERTENCIA



Peligro de lesión personal. El uso de piezas no aprobadas puede causar lesiones personales, daños al instrumento o un mal funcionamiento del equipo. Las piezas de repuesto que aparecen en esta sección están aprobadas por el fabricante.

Nota: Los números de producto y artículo pueden variar para algunas regiones de venta. Comuníquese con el distribuidor correspondiente o visite el sitio Web de la compañía para obtener la información de contacto.

Descripción	Referencia
Fusible, 5 x 20 mm, 1 A, 250 V, rápido	180003201
Pasacables para un cable de 4.3 a 11.4 mm (0.17 a 0.45 pulg.) cable	5202500
Arandela, sellado, NPT de ½ pulg.	1033814
Tuerca, nylon, contratuerca, ½-14, NPT	8774

Índice

Especificações na página 54

Informações gerais na página 55

Instalação na página 57

Configuração na página 68

Calibragem na página 70

Manutenção na página 70

Peças de reposição na página 71

Especificações

As especificações estão sujeitas a alterações sem aviso prévio.

Especificação	Detalhes
Dimensões (C x L x P)	247 x 300 x 130 mm (9.71 x 11.82 x 5.12 pol.)
Carcaça	IP66, NEMA 4X
Peso	2.5 kg (5.5 lb)
Grau de poluição/categoria de instalação	2, II
Classe de proteção	II
Temperatura de operação	-40 a 50°C (-40 a 122°F)
Temperatura de armazenamento	-40 a 80°C (-40 a 176°F)
Umidade de armazenamento/operação	100% sem condensação
Cabo	Cabo auxiliar, 2,74 m (9 pés)
Protetores de cabo	Oito
Alimentação elétrica	12 a 15 VCC, 1 A fornecido pelo controlador AS950
Saídas analógicas	IO9001: Nenhum; IO9004: três Loop de corrente de 0/4–20 mA; alimentação de loop externa (18 VCC no máximo) ou alimentação de loop interna (14 VCC no mínimo, 18 VCC no máximo); fardo de loop - 3,6 V no máximo a 25 mA Tamanho do fio: 24 a 16 AWG de cobre sólido ou trançado. As saídas analógicas são isoladas individualmente e galvanicamente ¹ .
Entradas analógicas	IO9001: Nenhum; IO9004: Dois Modo de entrada de corrente: 0/4–20 mA; 18 VCC no máximo; 108 Ω e 0,4 V de fardo de loop máximo Modo de entrada de pulso de tensão: resistência de entrada - 11 kΩ comum; nível alto de pulso - 4 V no mínimo a 15 V no máximo; nível baixo de pulso - 0 V no mínimo a 2 V no máximo; histerese - 0,5 V comum; largura de pulso (estado alto ou baixo)—50 ms no mínimo Tamanho do fio: 24 a 16 AWG de cobre sólido ou trançado. As entradas analógicas são isoladas individualmente e galvanicamente ¹ .

¹ O isolamento galvânico é usado para diminuir os efeitos da interferência do loop de aterramento. O isolamento galvânico não fornece isolamento de segurança.

Especificação	Detalhes
Saídas digitais	IO9001: Nenhum; IO9004: Quatro Relés de fechamento de contato de tensão baixa (± 30 VCC ou 20 VCA-rms a 0,15 A no máximo); aumento opcional para nível lógico fornecido externamente (0 a 30 VCC) Tamanho do fio: 24 a 16 AWG de cobre sólido ou trançado. As saídas digitais são isoladas galvanicamente como um grupo. Se um interruptor não for referenciado ao pino COM, o interruptor está isolado individualmente e galvanicamente ¹ .
Entradas digitais	IO9001: Nenhum; IO9004: Quatro 0 a 25 VCC (120 k Ω de resistência de entrada); 1,5 V de limite interno padrão. Uma tensão externa opcional aplicada a uma entrada Vth fornece uma tensão de limite de 0,5*Vth. Tamanho do fio: 24 a 16 AWG de cobre sólido ou trançado. As entradas digitais são isoladas galvanicamente como um grupo ¹ .
Relés	IO9001: Um; IO9004: Quatro Forma C; 20 a 230 VCA e 0,006 a 0,5 A Tamanho do fio: 20 a 14 AWG de cobre sólido ou trançado
Certificações	Padrões CE, UL/CSA (cETLus)
Garantia	EUA: 1 ano, UE: 2 anos

Informações gerais

Em hipótese alguma o fabricante será responsável por danos diretos, indiretos, especiais, incidentais ou consequenciais resultantes de qualquer defeito ou omissão neste manual. O fabricante reserva-se o direito de fazer alterações neste manual e nos produtos aqui descritos a qualquer momento, sem aviso ou obrigação. As edições revisadas podem ser encontradas no site do fabricante.

Informações de segurança

AVISO

O fabricante não é responsável por quaisquer danos devido ao uso ou aplicação incorreta deste produto, incluindo, sem limitação, danos diretos, acidentais ou consequenciais, e se isenta desses danos à extensão total permitida pela lei aplicável. O usuário é unicamente responsável por identificar riscos críticos de aplicação e por instalar os mecanismos apropriados para proteger os processos durante um possível mau funcionamento do equipamento.

Leia todo o manual antes de tirar da embalagem, montar ou operar esse equipamento. Preste atenção a todas as declarações de perigo e cuidado. Caso contrário, o operador poderá sofrer ferimentos graves ou o equipamento poderá ser danificado.

Certifique-se de que a proteção oferecida por este equipamento não seja afetada. Não use nem instale este equipamento de nenhuma outra forma além da especificada neste manual.

Uso de informações de risco

▲ PERIGO

Indica uma situação potencial ou iminentemente perigosa que, se não for evitada, resultará em morte ou lesão grave.

▲ ADVERTÊNCIA

Indica uma situação potencialmente perigosa que, se não for evitada, pode resultar em morte ou ferimento grave.

▲ CUIDADO




Indica uma situação potencialmente perigosa que pode resultar em ferimento leve a moderado.

AVISO

Indica uma situação que, se não evitada, pode causar danos ao instrumento. Informações que necessitam de uma ênfase especial.

Avisos de precaução

Leia todas as etiquetas e rótulos fixados no instrumento. Caso não sejam observadas, podem ocorrer lesões pessoais ou danos ao instrumento. Um símbolo no instrumento tem sua referência no manual com uma medida preventiva.

	Este é o símbolo de alerta de segurança. Acate todas as mensagens de segurança que seguem este símbolo a fim de evitar lesões potenciais. Se o símbolo estiver no instrumento, consulte o manual de instruções para obter informações sobre a operação ou segurança.
	Este símbolo indica que existe um risco de choque elétrico ou de eletrocussão.
	O equipamento elétrico marcado com este símbolo não pode ser descartado em sistemas de descarte público ou doméstico europeus. Devolva equipamentos antigos ou no final da vida útil para o fabricante para descarte, sem custo adicional para o usuário.

Certificação

Canadian Radio Interference-Causing Equipment Regulation (Regulamentação para equipamentos de rádio causadores de interferência do Canadá), IECIS-003, Classe A:

Os registros de testes de comprovação encontram-se com o fabricante.

Este aparelho digital Classe A atende a todos os requisitos de regulamentações canadenses sobre equipamentos que causam interferências.

Cet appareil numérique de classe A répond à toutes les exigences de la réglementation canadienne sur les équipements provoquant des interférences.

FCC parte 15, limites Classe "A"

Os registros de testes de comprovação encontram-se com o fabricante. O dispositivo está em conformidade com a Parte 15 das Regras da FCC. A operação está sujeita às seguintes condições:

1. O equipamento não deve causar interferência prejudicial.
2. O equipamento deve aceitar todas as interferências recebidas, inclusive interferências que podem causar funcionamento indesejado.

Alterações ou modificações a este equipamento não aprovadas expressamente pela parte responsável pela conformidade podem anular a autoridade do usuário de operar o equipamento. Este equipamento foi testado e está em conformidade com os limites de dispositivo digital Classe A, de acordo com a Parte 15 das Regras da FCC. Esses limites foram estabelecidos para proporcionar uma razoável proteção contra interferências nocivas quando o equipamento for operado em ambientes comerciais. Este equipamento gera, utiliza e pode irradiar energia de rádio-frequência e, se não instalado e usado de acordo com o manual de instruções, pode causar interferências prejudiciais às comunicações de rádio. É provável que o funcionamento deste equipamento em área residencial possa causar interferência indesejada, caso em que o usuário será solicitado a corrigir a interferência por conta própria. As seguintes técnicas podem ser usadas para reduzir problemas de interferência:

1. Desconecte o equipamento de sua fonte de alimentação para verificar se ele é ou não a origem da interferência.
2. Se o equipamento está conectado à mesma tomada do dispositivo que está sofrendo interferência, conecte o equipamento a uma tomada diferente.
3. Afaste o equipamento do dispositivo que estiver recebendo a interferência.

4. Reposicione a antena de recebimento do dispositivo que está sofrendo interferência.
5. Tente algumas combinações das opções acima.

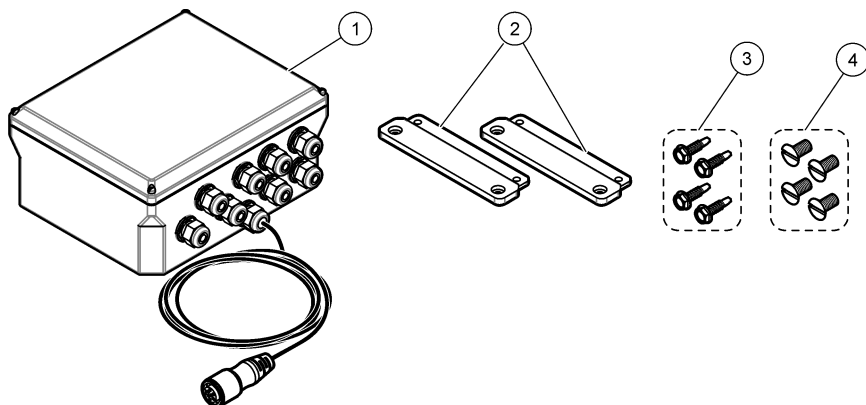
Visão geral do produto

O módulo I/O conecta-se a um amostrador AS950 para fornecer ao amostrador terminais do relé, entrada analógica, saída analógica, entrada digital e saída digital.

Componentes do produto

Certifique-se de que todos os componentes foram recebidos. Consulte [Figura 1](#). Se houver itens ausentes ou danificados, entre em contato imediatamente com o fabricante ou com um representante de vendas.

Figura 1 Componentes do produto



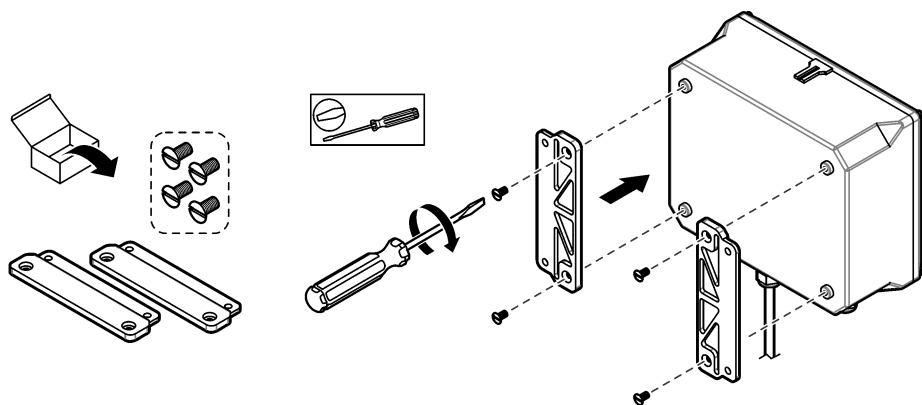
1 Módulo IO9000	3 Parafusos autoperfurantes
2 Suportes de montagem	4 Parafusos para suportes de montagem

Instalação

Esse instrumento é classificado para uma altitude máxima de 2.000 m (6.562 pés). Apesar do uso desse equipamento acima de 2.000 m de altitude não apresentar nenhum risco de segurança substancial, o fabricante recomenda que os usuários preocupados entrem em contato com o suporte técnico.

Instale os suportes

Instale os suportes conforme mostrado nas etapas ilustradas seguintes.



Montar o instrumento

AVISO

Podem ocorrer danos aos componentes internos se um parafuso entrar na lateral do amostrador refrigerado em mais de 12,5 mm (0,5 pol.). Use os parafusos fornecidos para evitar dano ao amostrador refrigerado.

Prenda o módulo I/O a uma superfície plana e vertical que permita que o usuário desconecte o módulo I/O do controlador AS950. Certifique-se de que o módulo I/O está próximo o suficiente do amostrador para conectar o cabo do módulo I/O na porta AUX I/O. Consulte [Figura 2](#) para prender o módulo I/O em uma parede.

Consulte [Figura 3](#) para prender o módulo I/O no amostrador.

Figura 2 Montagem na parede

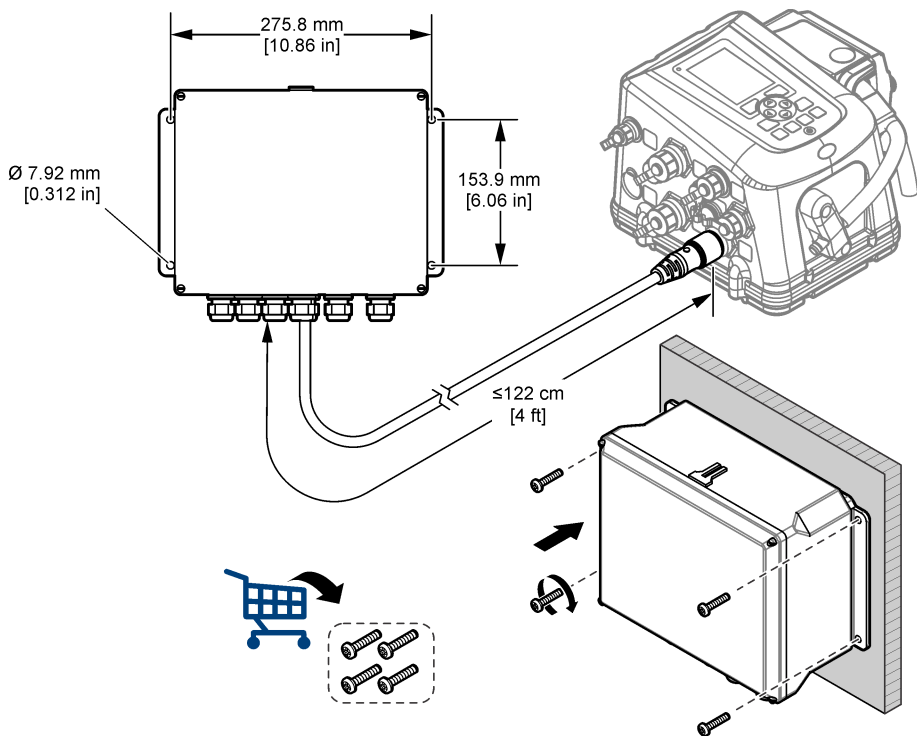
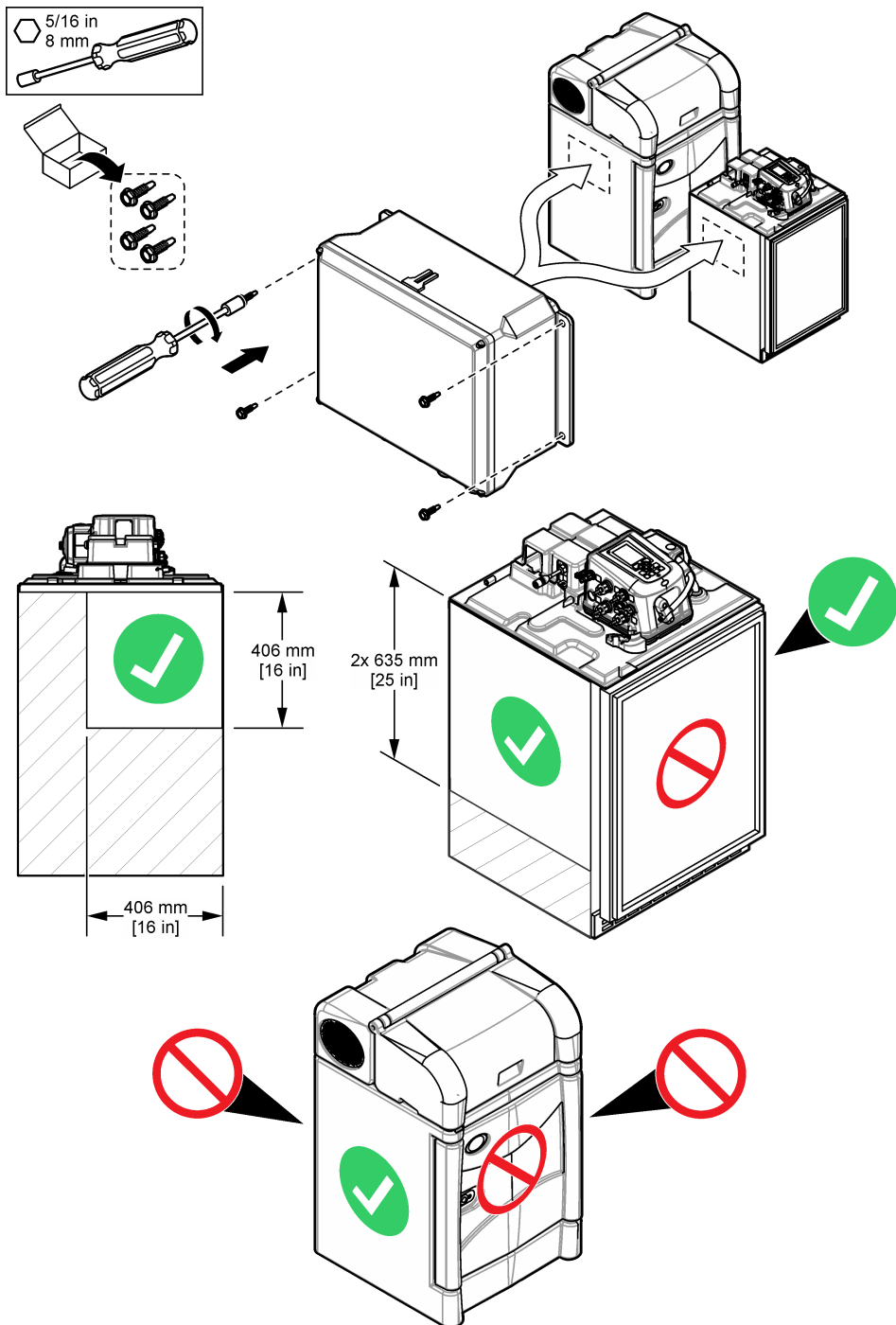


Figura 3 Locais de montagem no amostrador



Instalação elétrica

⚠ PERIGO



Risco de choque elétrico. Desligue sempre a energia do instrumento antes de fazer conexões elétricas.

⚠ PERIGO



Risco de eletrocussão. Use apenas ajustes com a classificação ambiental especificada na caixa. Siga os requisitos da seção Especificações.

⚠ ADVERTÊNCIA



Risco de choque elétrico. Equipamento conectado externamente deve ter uma avaliação apropriada do padrão de segurança do país.

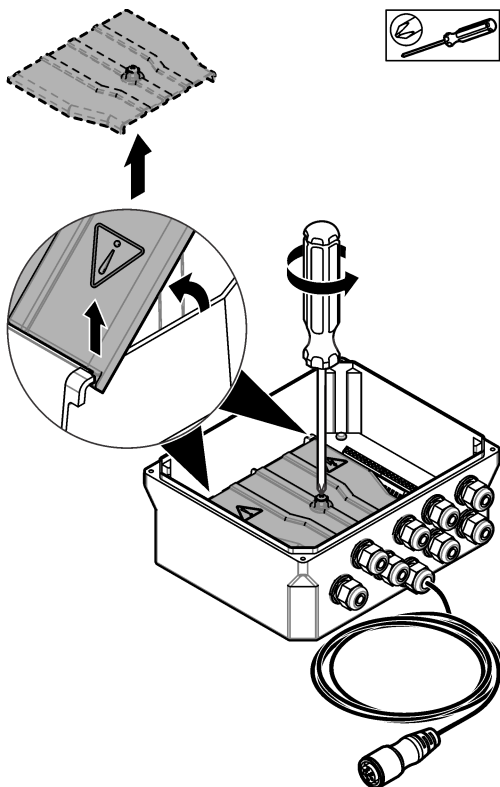
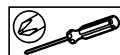
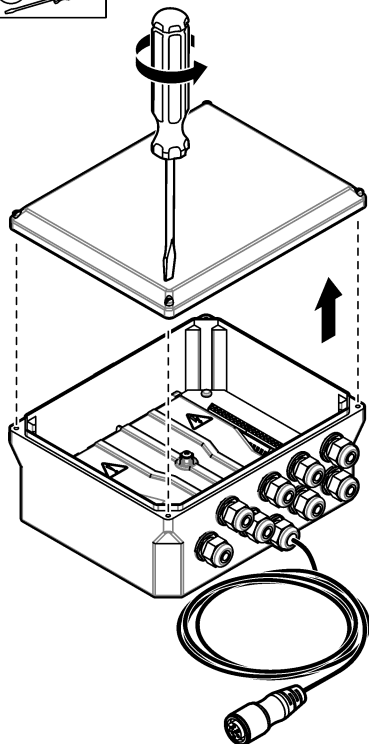
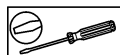
AVISO

Certifique-se de que o equipamento esteja conectado ao instrumento de acordo com as exigências locais, regionais e nacionais.

- Use cabos com um diâmetro de 4,3 a 11,4 mm (0,17 a 0,45 pol.) para que o protetor de cabo ajude a segurar os mesmos quando apertado.
- Não coloque mais do que um cabo no protetor de cabo.
- Para conectar o conduíte em um terminal, substitua um protetor de cabo instalado com um encaixe de conduíte. Para conectar o conduíte ao módulo I/O, substitua o protetor do cabo aplicável com um conduíte de vedação para ligar o conduíte à placa de ligação do módulo I/O. Para uma conexão de aterramento confiável e de baixa impedância, um fio de aterramento independente com uma bitola equivalente pode ser puxado e conectado ao terminal de aterramento na placa de ligação.
- Feche todos os protetores de cabo não usados com hastes, cabos ou o cabo de vedação fornecido para manter a umidade fora.
- Para conexões de relé, é necessário usar um disjuntor de 20 A (no máximo). As conexões de relé devem ter um dispositivo de desconexão local. O dispositivo de desconexão local deve ser claramente identificado como sendo o dispositivo de desconexão. Certifique-se de que o dispositivo esteja em um local com espaço suficiente ao redor, para realização das conexões e de tarefas de manutenção.

Remova as tampas

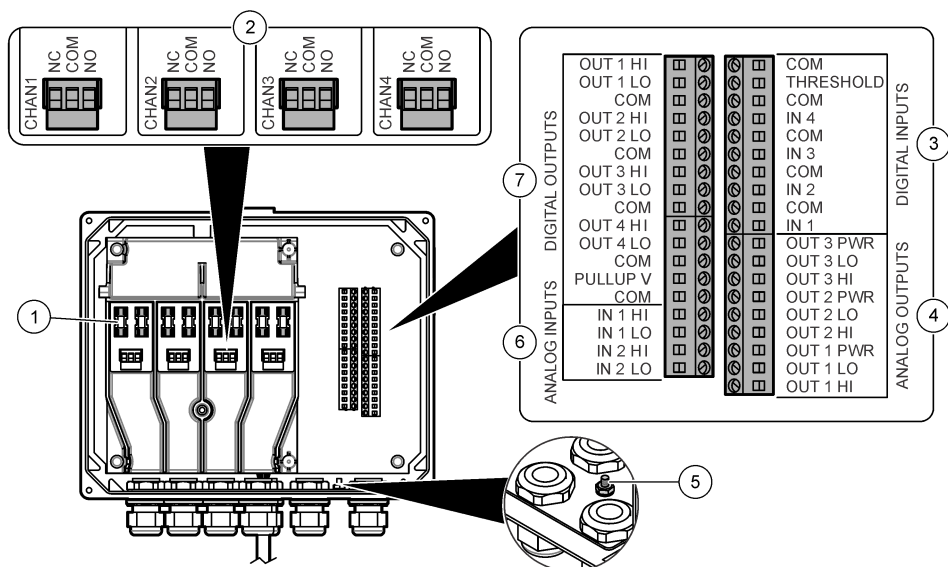
Remova as tampas conforme mostrado nas etapas ilustradas seguintes.



Visão geral da fiação

Figura 4 exibe as conexões da fiação e os locais do fusível. Consulte Figura 5 para preparar e instalar uma fiação.

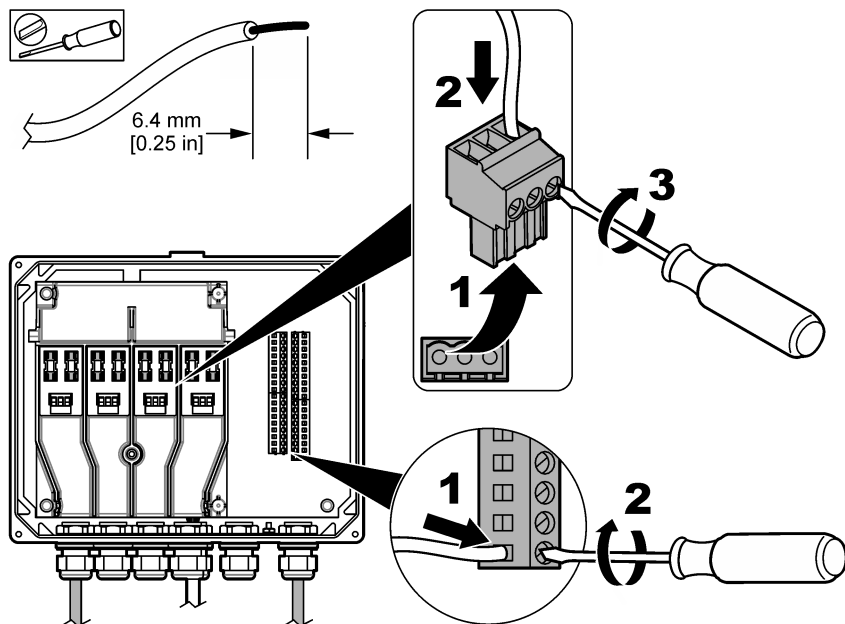
Figura 4 Visão geral da fiação



1 Fusíveis (8x)	5 Parafuso prisioneiro de aterramento para fios blindados ²
2 Relés (4x)	6 Saídas analógicas (2x)
3 Entradas digitais (4x)	7 Saídas digitais (4x)
4 Saídas analógicas (3x)	

² Use terminais de anel para fazer as conexões. Terminais de anel não são fornecidos.

Figura 5 Instalação do fio



Conecte os relés

⚠ ADVERTÊNCIA



Perigo potencial de eletrocussão. Os terminais de energia e de relé são projetados somente para uma terminação unifilar. Não use mais de um fio em cada terminal.

⚠ ADVERTÊNCIA



Perigo potencial de incêndio. Não altere com frequência as conexões de relés ou fios do jumper nas conexões elétricas principais dentro do instrumento.

⚠ CUIDADO



Perigo de incêndio. As cargas de relé devem ser resistivas. Sempre limite a corrente aos relés com um fusível ou disjuntor externo. Siga as classificações de relé da seção Especificações.

O módulo I/O possui quatro relés de alarme não alimentados. Cada relé muda de estado quando a condição do alarme selecionado para o relé ocorre. A condição do alarme inclui um ou mais alarmes em uma configuração lógica booleana OR ou AND. Consulte [Configurar os relés e as saídas digitais](#) na página 68.

Conecte os relés em um dispositivo de controle ou um dispositivo de alarme. Consulte [Figura 4](#) na página 63, [Figura 5](#) na página 64 e [Tabela 1](#) para conectar os relés. Consulte [Especificações](#) na página 54 para obter as especificações do relé. Os relés são isolados um do outro e do circuito de entrada/saída de tensão baixa.

Os terminais do relé aceitam um fio de 20 a 14 AWG (conforme determinado pela aplicação de carga). Use o fio com uma classificação de isolamento de 300 VCA ou mais.

A corrente para os contatos do relé deve ser de 0,5 A ou menos. Certifique-se de ter um segundo interruptor disponível para remover a alimentação dos relés localmente no caso de uma emergência ou para manutenção.

Ao mudar cargas indutivas grandes (ex., motores e bombas) ou correntes maiores que 0,5 A, use um relé auxiliar para aumentar a vida do relé.

Conexões do terminal com o circuito de alimentação em aplicações de conexão permanente devem ter um isolamento classificado para um mínimo de 300 V, 60 °C (140 °F). Terminais conectados no circuito de alimentação com conexão de um cabo de alimentação devem ter isolamento duplo e classificação em 300 V, 60 °C (140 °F) tanto no nível interno de isolamento quanto no externo.

Tabela 1 Fiação - relés

NF	COM	NO
Normalmente fechado	Comum	Normalmente aberto

Conectar as entradas analógicas

O módulo I/O possui duas entradas analógicas. Conecte os instrumentos auxiliares (ex., sensor ultrassônico de terceiros) nas entradas analógicas para fornecer medições para o amostrador. Consulte [Especificações](#) na página 54 para obter especificações da entrada analógica.

Conecte um instrumento auxiliar em cada entrada analógica com um fio de 24 a 16 AWG. Use um fio de 19 AWG a 16 AWG como alternativa e o fio tiver 7,62 m (25 pés) de comprimento ou mais. Consulte [Figura 4](#) na página 63, [Figura 5](#) na página 64 e [Tabela 2](#) para conectar as entradas analógicas.

Faça conexões com um fio blindado de par trançado. Conecte a blindagem em um parafuso prisioneiro na placa de apoio do conduíte ou na outra extremidade do cabo.

- Não conecte a blindagem em ambas as extremidades do cabo.
- O uso um cabo sem blindagem pode resultar em emissão de frequências de rádio ou níveis de suscetibilidade maiores do que o permitido.

Tabela 2 Fiação - entradas analógicas

Pino	Descrição
IN # HI	+
IN # LO	-

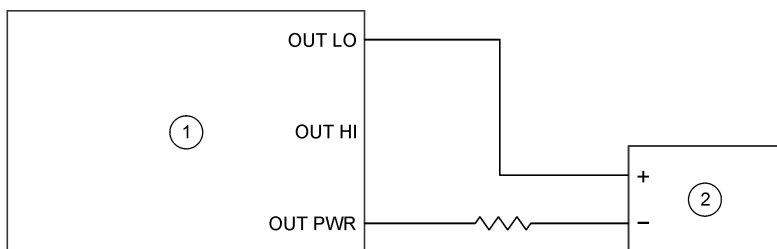
Conecte as saídas analógicas

O módulo I/O possui três saídas analógicas isoladas de 0–20 mA ou 4–20 mA. Configure as saídas analógicas para fornecer uma medição do amostrador para um instrumento externo. Consulte [Especificações](#) na página 54 para obter as especificações da saída analógica.

Consulte [Figura 6](#) e [Figura 7](#) para conectar as saídas analógicas. Consulte [Figura 4](#) na página 63 e [Figura 5](#) na página 64 para fazer as conexões da fiação. Faça conexões com um fio blindado de par trançado e conecte a blindagem em um parafuso prisioneiro aterrado na placa de apoio do conduíte.

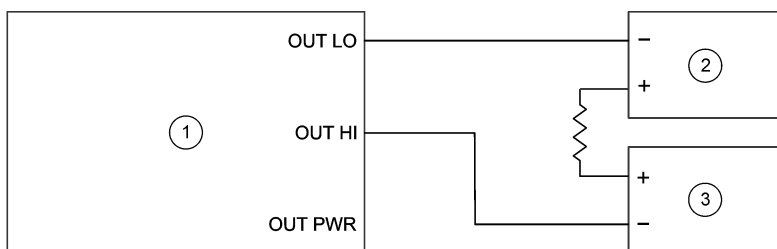
- Não conecte a blindagem em ambas as extremidades do cabo.
- O uso um cabo sem blindagem pode resultar em emissão de frequências de rádio ou níveis de suscetibilidade maiores do que o permitido.

Figura 6 Módulo I/O com loop alimentado



1 Saída analógica	2 Dispositivo externo
-------------------	-----------------------

Figura 7 Loop alimentado externamente



1 Saída analógica	3 Dispositivo externo
2 Fonte de alimentação externa	

Conecte as entradas digitais

O módulo I/O possui quatro entradas digitais³. Conecte um dispositivo remoto e/ou um interruptor nas entradas digitais. Consulte [Figura 4](#) na página 63, [Figura 5](#) na página 64 e [Tabela 3](#) para conectar as entradas digitais. Consulte [Especificações](#) na página 54 para obter as especificações da entrada digital.

Cada entrada digital possui um terminal positivo e um compartilhado comum com uma resistência de entrada de 120 kΩ. O limite padrão é de 1,5 V. Quando o limite opcional fornecido pelo cliente é usado, o limite é definido em 50% da tensão aplicada no pino de limite (0 a 25 VCC).

Tabela 3 Fiação - entradas digitais

Pino	Descrição
COM (pino 1)	Negativo para LIMITE
THRESHOLD (LIMITE)	No máximo 25 VDC
COM	Negativo
IN #	Positivo

Conectar as saídas digitais

AVISO

Não use as saídas digitais para funções de controle de processo como ligar/desligar a bomba ou desligamento do sistema de água. As conexões da saída digital não substituem um PLC (controlador lógico programável).

³ As entradas digitais não são suportadas pelo firmware do controlador AS950 na versão inicial.

O módulo I/O possui quatro saídas digitais. Conecte um dispositivo compatível como um indicador de alarme remoto, alerta sonoro ou PLC nas saídas digitais). Consulte [Figura 4](#) na página 63, [Figura 5](#) na página 64 e [Tabela 4](#) para conectar as saídas digitais. Consulte [Especificações](#) na página 54 para obter as especificações da saída digital.

As saídas digitais tornam-se interruptores flutuantes independentes quando a entrada PULLUP V e resistores de aumento interno associados não são usados. Os interruptores são normalmente abertos. Os interruptores fecham quando condições de alarme selecionadas pelo usuário ocorrem.

Para usar a entrada opcional PULLUP V e os resistores de aumento interno de 10 kΩ relacionados, forneça a tensão aplicável para os pinos de PULLUP V e COM (pino 14). Então, conecte um disjuntor do pino OUT # LO para o pino COM. A lógica do sinal de saída está ativa baixa.

Tabela 4 Fiação - saídas digitais

Pino	Descrição
OUT # HI	Positivo
OUT # LO	Negativo
COM	Comum
PULLUP V	+No máximo 25 VDC ⁴
COM (pino 14)	Comum para PULLUP V

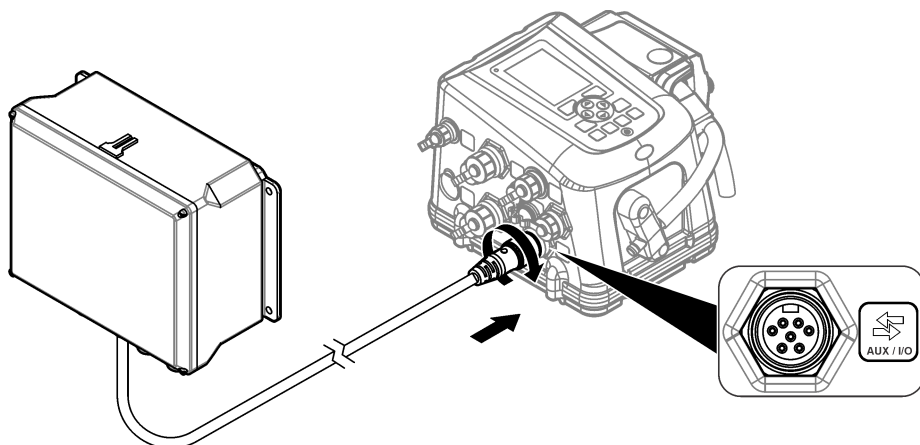
Instale as tampas

Instale as tampas com o hardware fornecido para manter a proteção fornecida pela caixa. Consulte [Remova as tampas](#) na página 62. Certifique-se de que as tampas foram fechadas firmemente.

Conectar ao amostrador

Conecte o cabo do módulo I/O na porta AUX I/O do amostrador. Consulte [Figura 8](#).

Figura 8 Conectar ao amostrador



⁴ Define a tensão alta lógica para as saídas digitais.

Configuração

Configurar a porta AUX I/O

1. Pressione **MENU**.
2. Selecione Hardware Setup>AUX (Configuração do hardware>AUX) e I/O Port>Type>I/O Module (Porta I/O>Tipo>Módulo I/O).

Ativar os relés

Ative os relés conectados nos instrumentos externos.

1. Pressione **MENU**.
2. Selecione relés CA.
3. Selecione os relés aplicáveis.

Configurar os relés e as saídas digitais

Selecione os alarmes que disparam os relés e/ou saídas digitais. Configure os alarmes antes dessa tarefa ser iniciada. Consulte a documentação do amostrador.

1. Pressione **MENU**.
2. Selecione Programming>Alarm Programming (Programação>Programação do alarme).
3. Para selecionar um alarme do sistema (ex., falha da bomba ou frasco cheio):
 - a. Selecione System Alarms>[Select System Alarm] (Alarmes do sistema>[Selecione o alarme do sistema] e, então, pressione **Next** (Próximo).
 - b. Selecione Action (Ação) e, então, pressione **Edit** (Editar).
 - c. Selecione uma opção e, em seguida, pressione **OK**.

Observação: Quando os seguintes alarmes do sistema ocorrerem, o relé ou a saída digital muda de estado por apenas 4 segundos. Para os outros alarmes do sistema, o relé muda de estado continuamente enquanto o alarme está ativo.

- Program Start (Início do programa)
- Program End (Fim do programa)
- Bottle Change (Troca do frasco)
- Sample Complete (Amostra completa)
- Missed Sample (Amostra perdida)
- Purge Error (Erro de purga)
- Distributor Arm Error (Erro do braço do distribuidor)
- Erro de bomba

Opção	Descrição
Set Relay 1 (2, 3 or 4) [Definir relé 1 (2, 3 ou 4)]	Define o relé selecionado para mudar de estado quando o alarme estiver ativo. O contato normalmente fechado (NF) do relé abre quando o alarme está ativo. O contato normalmente aberto (NA) do relé fecha quando o alarme está ativo. O alarme é gravado no registro de alarme.
Set Digital Output 1 (2, 3 or 4) [Definir saída digital 1 (2, 3 ou 4)]	Define a saída digital selecionada para um interruptor fechado ou uma tensão baixa lógica quando o alarme está ativo. O alarme é gravado no registro de alarme.

4. Para selecionar um alarme de ponto de ajuste de canal:
 - a. Selecione Channel Alarms>[Select Channel Alarm] (Alarmes do canal>[Selecione o alarme do canal]) e, então, pressione **Next** (Próximo).

Observação: O número seguido de um alarme do canal identifica o sensor fonte. Por exemplo, Temp 2 é a medição de temperatura fornecida pelo Sensor 2.
 - b. Selecione Action (Ação) e, então, pressione **Edit** (Editar).

c. Selecione uma opção e, em seguida, pressione **OK**.

Opção	Descrição
Set Relay 1 (2, 3 or 4) [Definir relé 1 (2, 3 ou 4)]	Define o relé selecionado para mudar de estado quando o alarme estiver ativo. O contato normalmente fechado (NF) do relé abre quando o alarme está ativo. O contato normalmente aberto (NA) do relé fecha quando o alarme está ativo. O alarme é gravado no registro de alarme.
Set Digital Output 1 (2, 3 or 4) [Definir saída digital 1 (2, 3 ou 4)]	Define a saída digital selecionada para um interruptor fechado ou uma tensão baixa lógica quando o alarme está ativo. O alarme é gravado no registro de alarme.

Configure as entradas analógicas

1. Pressione **MENU**.
2. Selecione Hardware Setup>AUX (Configuração do hardware>AUX) e I/O Port>Analog Inputs>[Select Analog Input]>Setup Wizard (Porta I/O>Entradas analógicas>[Selecione a entrada analógica]>Assistente de configuração).
3. Use a seta para **BAIXO** para selecionar Enable (Ativar) e, então, pressione **Next** (Próximo).
4. Siga os comandos na tela. Consulte [Tabela 5](#) para obter descrições das configurações.

Observação: Para definir as configurações da entrada analógica e a calibração nos padrões de fábrica, selecione *Restore Defaults* (Restaurar padrões).

Tabela 5 Configurações da entrada analógica

Configuração	Descrição
Select Source Type (Selecionar tipo de fonte)	Seleciona a medição exibida na entrada analógica selecionada. Opções: Level (Nível), Velocity (Velocidade), Flow (Fluxo), Temp (Temperatura), pH
Select Loop Scale (Selecionar escala de loop)	Define a faixa analógica para a entrada analógica. Opções: 0–20 mA ou 4–20 mA

Configurar as saídas analógicas

1. Pressione **MENU**.
2. Selecione Hardware Setup>AUX (Configuração do hardware>AUX) e I/O Port>Analog Outputs>[Select Analog Output]>Setup Wizard (Porta I/O>Saídas analógicas>[Selecione a saída analógica]>Assistente de configuração).
3. Use a seta para **BAIXO** para selecionar Enable (Ativar) e, então, pressione **Next** (Próximo).
4. Siga os comandos na tela. Consulte [Tabela 6](#) para obter descrições das configurações.

Observação: Para definir as configurações da saída analógica e a calibração nos padrões de fábrica, selecione *Restore Defaults* (Restaurar padrões).

Tabela 6 Configurações da saída analógica

Configuração	Descrição
Selecionar fonte	Seleciona a medição que é exibida na saída analógica selecionada. Somente as medições gravadas no registro de dados podem ser selecionadas.
Select Loop Scale (Selecionar escala de loop)	Define a faixa analógica para a saída analógica. Opções: 0–20 mA ou 4–20 mA

Tabela 6 Configurações da saída analógica (continuação)

Configuração	Descrição
Select Loop Power (Selecionar alimentação do loop)	Define a fonte de alimentação do loop em interna ou externa. Internal (Interna) - Seleciona o amostrador como a fonte de alimentação da saída analógica. External (Externa) - Seleciona outro dispositivo como a fonte de alimentação da saída analógica. Quanto externa é selecionada, o amostrador age como um dispositivo de limitação de corrente variável.
Set Transfer Value (Definir valor de transferência)	Define o valor do loop analógico fornecido na saída analógica quando ocorre um erro de medição na entrada. Opções: 3,0 a 25,0 mA Erros de medição na entrada ocorrem quando: <ul style="list-style-type: none"> • Ocorre um mau-funcionamento no sensor. • O valor da medição na entrada do sensor não é válido. • O sensor não é detectado pelo controlador. • O sensor foi removido pelo usuário.

Calibragem

Calibrar os sinais analógicos

Calibre as entradas analógicas para garantir que os sinais da entrada analógica (4 mA e 20 mA) fornecidos por instrumentos externos sejam medidos corretamente pelo amostrador. Calibre as saídas analógicas para garantir que as saídas analógicas (4 mA e 20 mA) fornecidas pelo amostrador apresentem os valores corretos.

Item a ser coletado: multímetro digital que fornece um sinal analógico

1. Pressione **CALIBRATE** (CALIBRAR).
2. Selecione I/O Module>Analog Input (Módulo I/O>Entrada analógica) (ou Saída analógica).
3. Selecione a entrada analógica (ou saída analógica) a ser calibrada.
4. Siga os comandos na tela. Conecte o multímetro nos terminais da entrada analógica ou saída analógica aplicáveis.

Manutenção

▲ PERIGO



Vários perigos. Somente pessoal qualificado deve realizar as tarefas descritas nesta seção do manual.

Como limpar o instrumento

Limpe a parte externa do instrumento com um pano úmido e seque-o.

Substituir um fusível

▲ PERIGO



Risco de eletrocussão. Desconecte toda a alimentação elétrica do instrumento e conexão de relé antes que esta tarefa de manutenção seja iniciada.

▲ PERIGO



Perigo de incêndio. Use o mesmo tipo e classificação de corrente para substituir fusíveis.

Item a ser coletado: Fusível, 5 x 20 mm, 1 A, 250 V, rápido

Substitua o fusível queimado para a operação correta. Consulte [Visão geral da fiação](#) na página 62 para a localização do fusível.

1. Remova toda a alimentação para as conexões do relé.
2. Remova as tampas. Consulte [Remova as tampas](#) na página 62.
3. Remova o fusível queimado do suporte.
4. Coloque um fusível novo no suporte.
5. Instale as tampas.

Peças de reposição

⚠ ADVERTÊNCIA



Risco de lesão corporal. O uso de peças não aprovadas pode causar lesões pessoais, danos ao instrumento ou mau funcionamento do equipamento. As peças de substituição nesta seção foram aprovadas pelo fabricante.

Observação: Os códigos dos produtos podem variar para algumas regiões. Entre em contato com o distribuidor apropriado ou consulte o website da empresa para obter informações de contato.

Descrição	Nº de item
Fusível, 5 x 20 mm, 1 A, 250 V, rápido	180003201
Aliviador de tensão do cabo, 4.3 a 11.4 mm (0.17 a 0.45 pol) cabo	5202500
Arruela, vedação, ½ pol. NPT	1033814
Porca, nylon, trava, ½-14, NPT	8774

目录

规格 第 72

基本信息 第 73

安装 第 75

配置 第 84

校准 第 86

维护 第 87

备件 第 87

规格

产品规格如有变化，恕不另行通知。

规格	详细信息
尺寸（长 x 宽 x 深）	247 x 300 x 130 mm (9.71 x 11.82 x 5.12 in)
外壳	IP66, NEMA 4X
重量	2.5 kg (5.5 lb)
污染程度/安装类别	2, II
防护等级	II
工作温度	-40 至 50 °C (-40 至 122 °F)
存储温度	-40 至 80 °C (-40 至 176 °F)
存放/操作湿度	100% 无冷凝
电缆	辅助电缆, 2.74 m (9 ft)
电缆应力消除装置	八个
电源要求	12-15 VDC, 1 A (由 AS950 控制器提供)
模拟输出端	IO9001: 无; IO9004: 三个 0/4–20 mA 电流回路; 外部回路电源 (最大 18 VDC) 或内部回路电源 (最小 14 VDC, 最大 18 VDC); 回路载荷 - 25 mA 时最大 3.6 V 电线尺寸: 24-16 AWG 单线或标准铜线。模拟输出端采取单个电流隔离 ¹ 。
模拟输入端	IO9001: 无; IO9004: 两个 电流输入模式: 0/4–20 mA; 最大 18 VDC; 回路载荷最大 108 Ω 和 0.4 V 电压脉冲输入模式: 输入电阻 - 11 kΩ 典型; 脉冲高电平 - 最小 4 V 至最大 15 V; 脉冲低电平 - 最小 0 V 至最大 2 V; 磁滞现象 - 0.5 V 典型; 脉冲持续时间 (高态或低态) - 最短 50 ms 电线尺寸: 24 - 16 AWG 单线或标准铜线。模拟输入端采取单个电流隔离 ¹ 。
数字输出端	IO9001: 无; IO9004: 四个 低电压 (最大 0.15 A 时为 ±30 VDC 或 20 VAC-rms) 触点闭合继电器; 可选上拉至外部提供逻辑电平 (0 - 30 VDC) 电线尺寸: 24 - 16 AWG 单线或标准铜线。数字输出端采取整体电流隔离如果开关不以 COM 引脚作为参考, 该开关为单个电流隔离 ¹ 。
数字输入端	IO9001: 无; IO9004: 四个 0 - 25 VDC (120 kΩ 输入电阻); 1.5 V 默认内部阈值。施加给 Vth 输入的可选外部电压提供 0.5*Vth 阈值电压。 电线尺寸: 24-16 AWG 单线或标准铜线。数字输入端采取整体电流隔离 ¹ 。

¹ 通过电流隔离减少接地回路干扰作用。电流隔离并不提供安全绝缘。

规格	详细信息
继电器	IO9001: 一个; IO9004: 四个 C 形; 20 - 230 VAC, 0.006 - 0.5 A 电线尺寸: 20-14 AWG 单线或标准铜线。
认证	CE、UL/CSA 标准 (cETLus)
保修期	USA: 1 年, EU: 2 年

基本信息

对于因本手册中的任何不足或遗漏造成的直接、间接、特别、附带或结果性损失，制造商概不负责。制造商保留随时更改本手册和手册中描述的产品的权利，如有更改恕不另行通知或承担有关责任。修订版可在制造商的网站上找到。

安全信息

注意

对于误用和滥用造成的产品损坏，制造商概不负责，包括但不限于：直接、附带和间接的损坏，并且对于适用法律允许的最大程度的损坏也不承担任何责任。用户唯一的责任是识别重大应用风险和安装适当的系统，以在设备可能出现故障时保护整个操作过程。

请在拆开本设备包装、安装或使用本设备前，完整阅读本手册。特别要注意所有的危险警告和注意事项。否则，可能会对操作者造成严重的人身伤害，或者对设备造成损坏。

确保设备提供的保护没有受损。请勿以本手册指定方式之外的其它方式使用或安装本设备。

危险信息使用

▲ 危险

表示潜在的或紧急的危险情况，如果不加以避免，将会导致死亡或严重伤害。

▲ 警告

表示潜在或非常危险的情形，如不避免，可能导致严重的人身伤亡。

▲ 警告




表示潜在的危险情形，可能导致轻度或中度人身伤害。

注意

表明如不加以避免则会导致仪器损坏的情况。需要特别强调的信息。

警告标签

请阅读贴在仪器上的所有标签和标记。如未遵照这些安全标签的指示操作，则可能造成人身伤害或仪器损坏。仪器上的符号在手册中通过警告说明参考。

	这是安全警报标志。请遵守此标志后面的所有安全信息，以避免可能造成的伤害。如果仪器上有此标志，则请参见仪器手册，了解操作或安全信息。
	此标志指示存在电击和/或电死危险。
	标有此符号的电气设备在欧洲不能通过家庭或公共垃圾系统进行处理。请将老旧或报废设备寄回至制造商处进行处置，用户无需承担费用。

认证

加拿大无线电干扰产生设备法规（Canadian Radio Interference-Causing Equipment Regulation），IECS-003，A类：

制造商支持测试记录留存。

此 A 类数字设备符合加拿大干扰产生设备法规的所有要求。

Cet appareil numérique de classe A répond à toutes les exigences de la réglementation canadienne sur les équipements provoquant des interférences.

FCC 第 15 部分，“A”类限制

制造商支持测试记录留存。该设备符合 FCC 规定第 15 部分的要求。设备操作满足以下两个条件：

1. 本设备不会造成有害干扰。
2. 本设备必须接受任何接收到的干扰，包括可能导致意外操作的干扰。

若未经负责出具符合声明的一方明确同意擅自对本设备进行改动或改装，可能会导致取消用户操作该设备的权限。本设备已经过测试，符合 FCC 规定第 15 部分中确定的 A 类数字设备限制。这些限制专门提供当设备在商业环境下工作时针对有害干扰的合理保护。该设备产生、使用和放射无线电射频能量，如果不按照说明手册的要求对其进行安装和使用，可能会对无线电通讯造成有害干扰。本设备在居民区工作时可能会产生有害干扰，这种情况下用户须自行承担费用消除这种干扰。以下方法可用于减少干扰问题：

1. 断开设备的电源，以便确定它是干扰源与否。
2. 如果设备与遭受干扰的仪器连接到相同的插座，将设备连接到其他插座。
3. 将设备从接受干扰的仪器边上移开。
4. 重新定位受干扰仪器的接收天线。
5. 同时尝试以上多项措施。

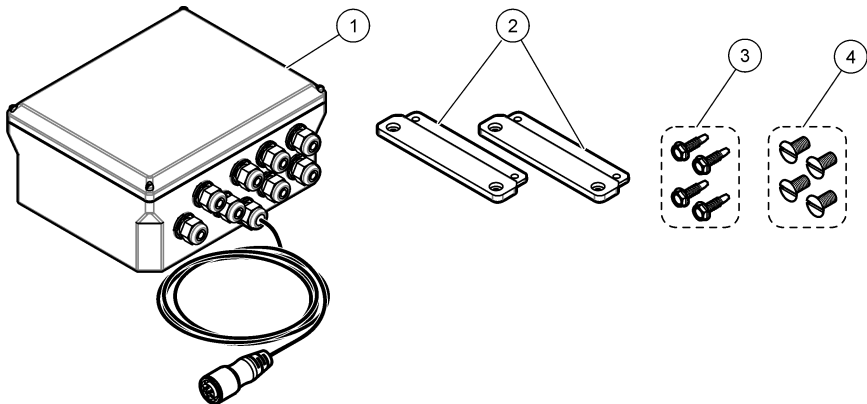
产品概述

I/O 模块连接至一台 AS950 采样仪，从而为采样仪提供继电器端子、模拟输入端子、模拟输入端子和数字输出端子。

产品部件

确保已收到所有部件。请参阅图 1。如有任何物品丢失或损坏，请立即联系制造商或销售代表。

图 1 产品部件



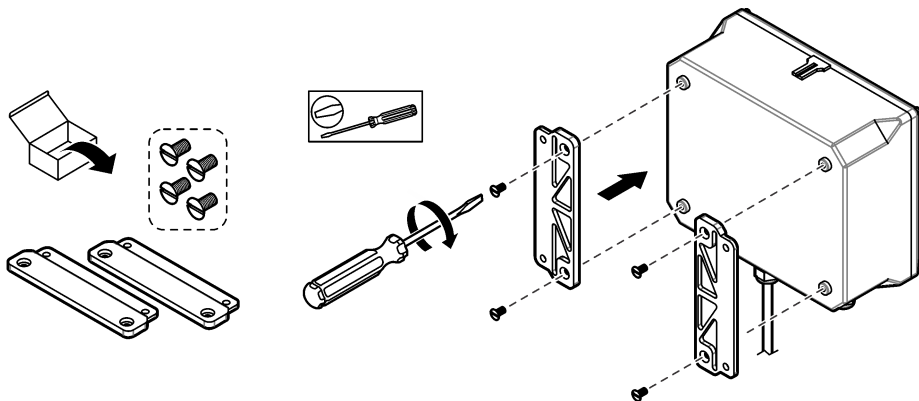
1 IO9000 模块	3 自攻螺钉
2 安装支架	4 用于安装支架的螺钉

安装

本仪器的额定工作海拔为最高 2000 m (6562 ft)。尽管在 2000 m 海拔以上使用本设备未表现出任何重大安全问题，制造商建议有此担忧的用户联系技术支持部门。

安装支架

按照如下图示步骤安装支架。



安装仪器

注意

如果螺钉进入冷藏式采样仪超过 12.5 mm (0.5 in.)，则可能损坏内部组件。使用所提供的螺钉以防止损坏冷藏式采样仪。

将 I/O 模块安装到一个平坦的垂直面上，以便用户可以方便地从 AS950 控制器上取下 I/O 模块。确保 I/O 模块离采样仪足够近，以便将 I/O 模块电缆连接至 AUX I/O 端口。请参阅图 2 将 I/O 模块装到墙上。

请参阅图 3 将 I/O 模块连接采样仪。

图 2 墙面安装

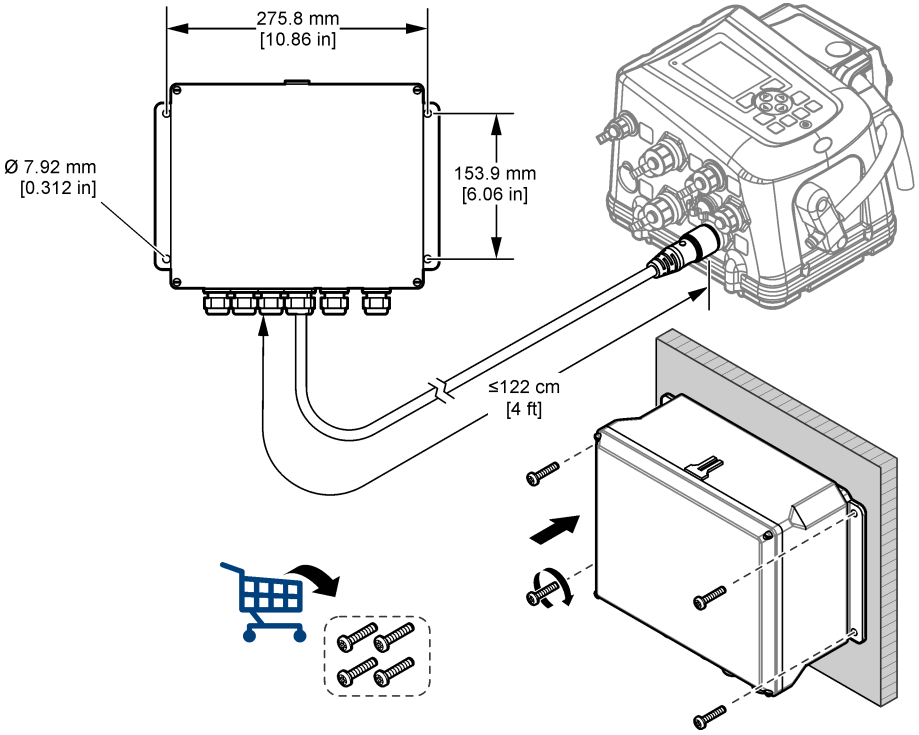
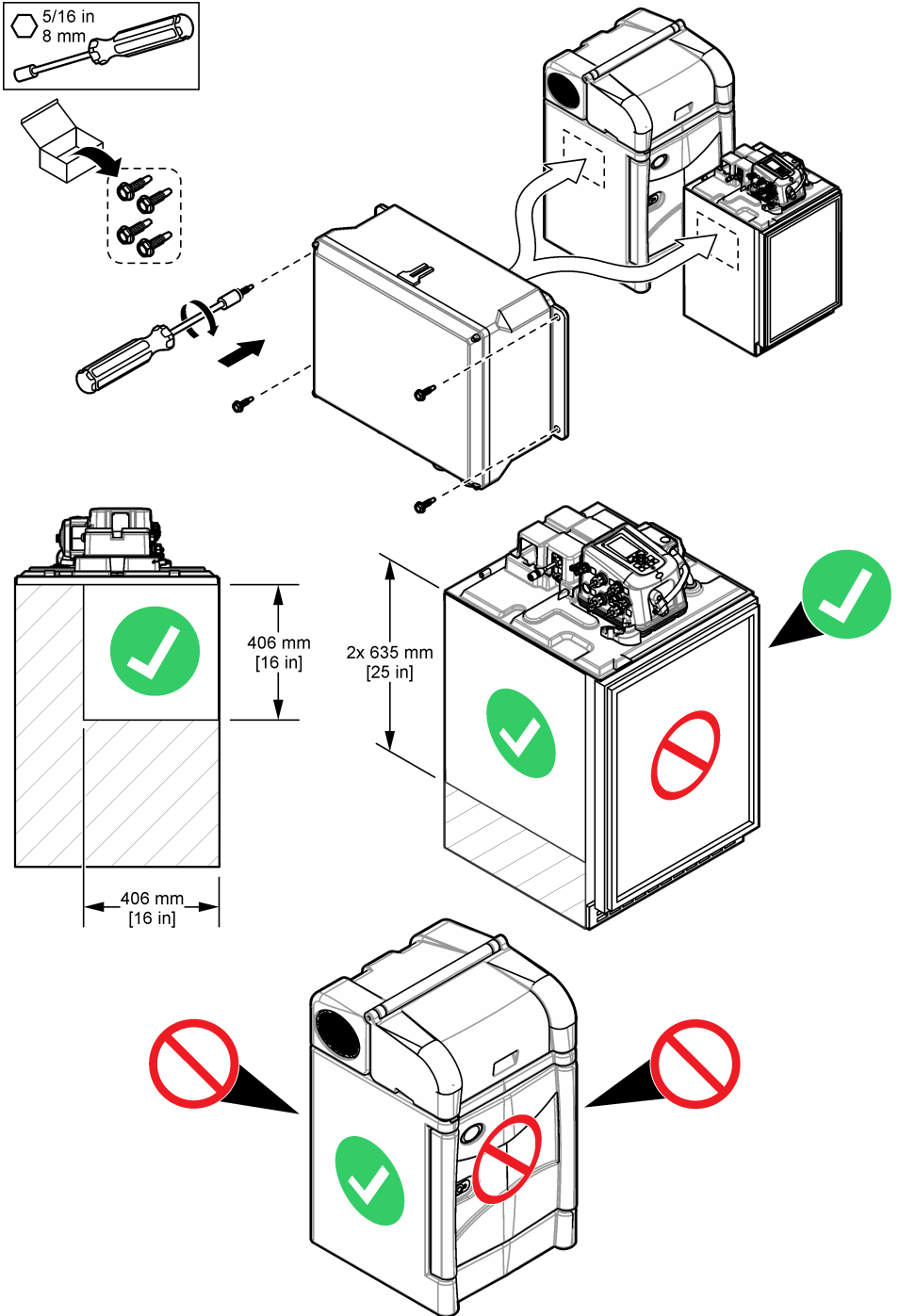


图 3 采样仪上的安装位置



电气安装

⚠ 危险



电击致命危险。进行电气连接前，务必断开仪器的电源。

⚠ 危险



电击致命危险。仅使用有特定防护罩等级的设备。遵守“规格”部分的要求。

⚠ 警告



电击危险。外部连接的设备必须具有适用的国家安全标准评估。

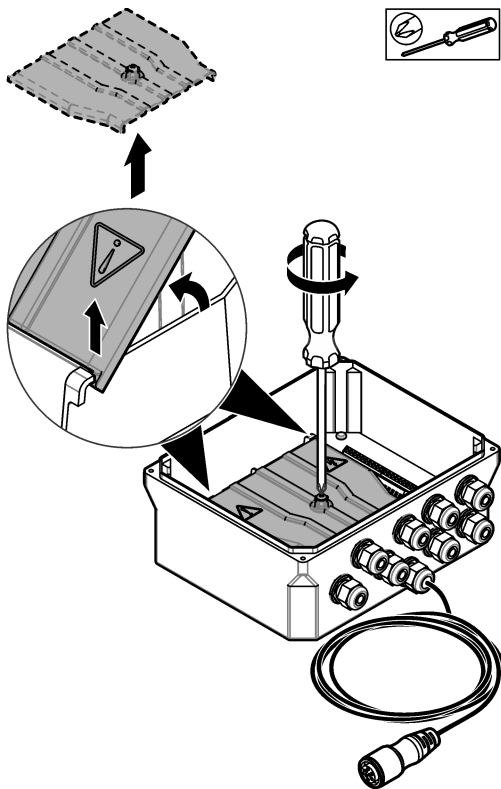
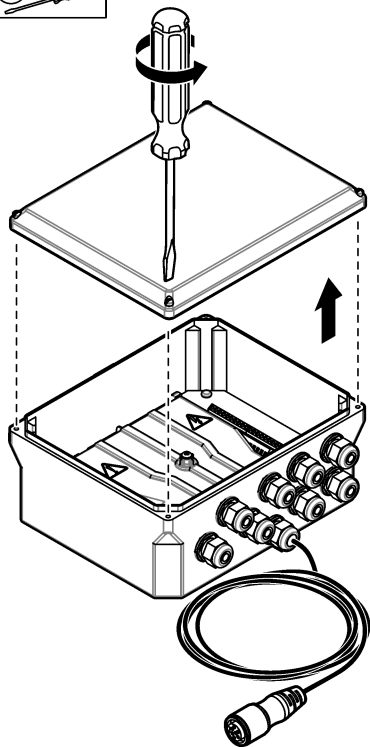
注意

确保按照当地、地区及国家的要求将设备连接到仪器。

- 使用直径为 4.3 - 11.4 mm (0.17 - 0.45 in.) 的电缆，从而使电缆应力消除装置能够在拉紧电缆时牢固固定电缆。
- 切勿将多根电缆放在一个电缆应力消除装置中。
- 将导管连接至一个端子时，使用导管接头替换已安装的电缆应力消除装置。如要将导管连接至 I/O 模块，使用密封导管更换适用的电缆应力消除装置，以便将导管固定到 I/O 模块的固定板上。为了实现可靠的低阻抗接地连接，可牵拉一条带有同等规格仪表的独立电线并将其固定到固定板上的接地片终端上。
- 使用导杆、电缆或提供的密封绳封闭所有未使用的电缆应力消除装置，以隔绝湿气。
- 需要为继电器连接使用一个 20 A 的断路器（最大值）。继电器连接必须具有本地断开设备。断开设备必须明确地识别该设备为断开设备。确保设备周围具有足够的间隙以便进行连接和执行维护任务。

拆下护盖

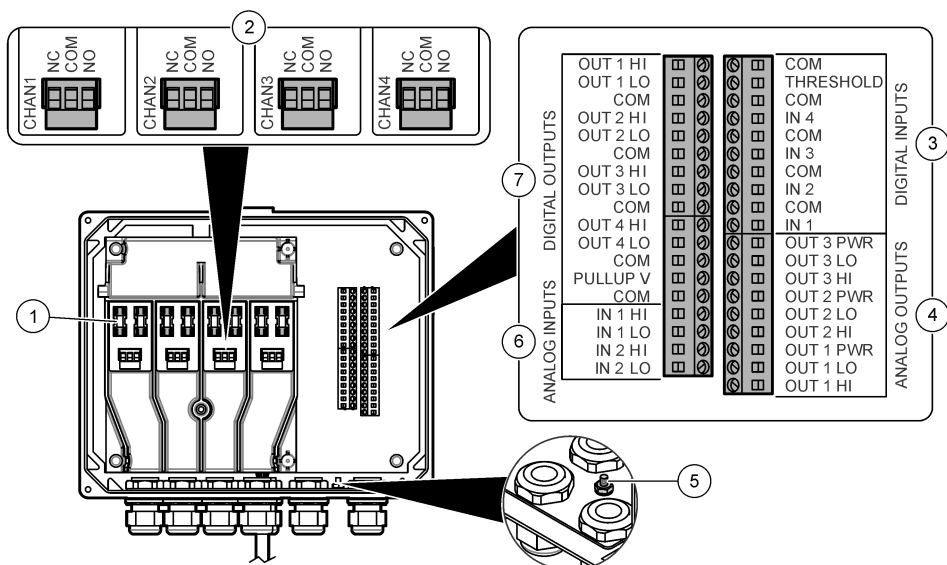
按照如下图示步骤拆下护盖。



布线概述

图 4 显示了布线连接以及保险丝位置。请参阅 图 5 准备和安装电线。

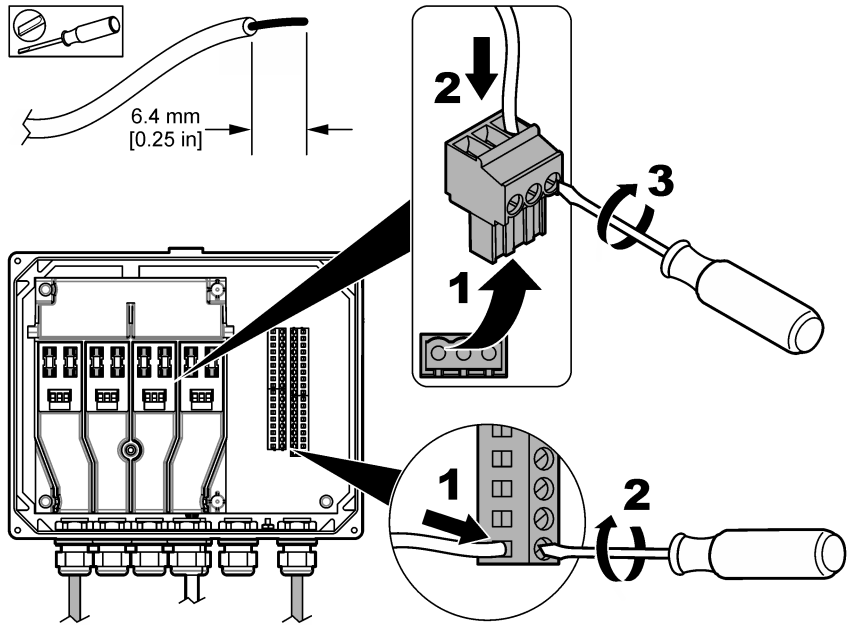
图 4 布线概述



1 保险丝 (8 个)	5 屏蔽线接地桩 ²
2 继电器 (4 个)	6 模拟输入端 (2 个)
3 数字输入端 (4 个)	7 数字输出端 (4 个)
4 模拟输出端 (3 个)	

² 使用环形端子进行连接。不提供环形端子。

图 5 电线安装



连接继电器

⚠ 警告



可能存在电击致命危险。电源和中继器的端子仅适用于单线端接。请勿在每个端子连接多根电线。

⚠ 警告



可能存在火灾危险。日常不要束缚公共继电器连接或仪器内电源连接的跳线。

⚠ 警告



火灾危险。继电器负载必须为阻性负载。始终限制具有外部保险丝或断路器的继电器的电流。遵守“规格”部分的继电器额定值。

I/O 模块有四个无电警报继电器。当为继电器选定的警报条件发生时，各继电器改变状态。警报条件包括布尔 OR 或 AND 逻辑配置中的一个或多个警报。请参阅 [配置继电器和数字输出端](#) 第 85。

将继电器连接至控制装置或警报装置。请参阅 [图 4](#) 第 80、[图 5](#) 第 81 和 [表 1](#) 连接继电器。请参阅 [规格](#) 第 72 了解继电器规格。各继电器之间相互独立且与低电压输入/输出电路分开。

继电器端子可使用 20-14 AWG 电线（由施加载荷决定）。使用绝缘额定值为 300 VAC 或更高的电线。

继电器触点的电流必须为 0.5 A 或更低。确保有一个备用开关可以在紧急情况下或进行维护时局部断开继电器的电源。

切换大型电感负载（比如电动机和泵等）或电流高于 0.5 A 时，使用一个辅助继电器可延长继电器的寿命。

连接至固定连接应用中主电路的端子的额定绝缘值必须最小为 300 V, 60 °C (140 °F)。连接至带有电源线连接的主电路的端子必须双重绝缘, 且内部和外部绝缘层的额定绝缘值均为 300 V, 60 °C (140 °F)。

表 1 布线 - 继电器

NC	COM	NO
常闭	公用	常开

连接模拟输入端

I/O 模块有两个模拟输入端。将辅助仪器（如第三方超声传感器）连接至模拟输入端以便为采样仪提供测量值。请参阅 **规格 第 72** 了解模拟输入端规格。

将一个辅助仪器连接至各使用 **24-16 AWG** 电线的模拟输入端。如果电线长 **7.62 m (25 ft)** 或更长, 使用 **19-16 AWG** 电线代替。请参阅 **图 4 第 80**、**图 5 第 81** 和 **表 2** 连接模拟输入端。

使用双绞屏蔽线进行连接。将屏蔽罩连接导管支撑板上的桩子或电缆的远端。

- 请勿将屏蔽罩连接至电缆两端。
- 使用非屏蔽电缆可能会导致射频发射或磁化级别高于所允许的范围。

表 2 布线 - 模拟输入端

引脚	说明
IN # HI	+
IN # LO	-

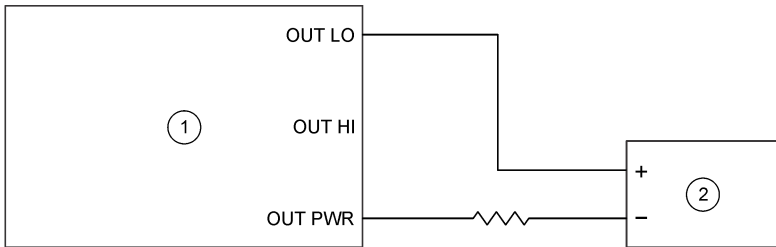
连接模拟输出端

I/O 模块有三个独立的 **0–20 mA** 或 **4–20 mA** 模拟输出端。配置模拟输出端以便将来自采样仪的测量值提供给一个外部仪器。请参阅 **规格 第 72** 了解模拟输出端规格。

请参阅 **图 6** 和 **图 7** 连接模拟输出端。请参阅 **图 4 第 80** 和 **图 5 第 81** 进行布线连接。使用双绞屏蔽线进行连接, 并将屏蔽罩连接至管道支撑板上的接地桩。

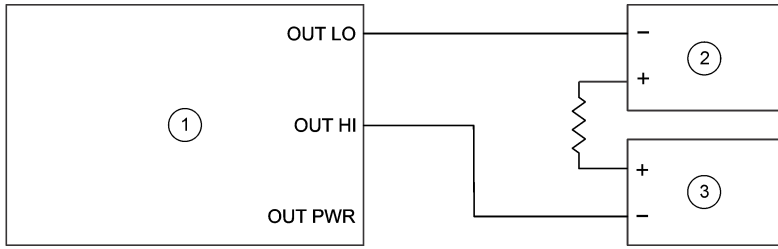
- 请勿连接电缆两端的屏蔽罩。
- 使用非屏蔽电缆可能会导致射频发射或磁化级别高于所允许的范围。

图 6 I/O 模块供电回路



1 模拟输出端	2 外部设备
----------------	---------------

图 7 外部供电回路



1 模拟输出端	3 外部设备
2 外部电源	

连接数字输入端

I/O 模块有四个数字输入端³。将一个远程设备和/或一个开关连接至数字输出端。请参阅图 4 第 80、图 5 第 81 和表 3 连接数字输入端。请参阅规格第 72 了解数字输入端规格。

每个数字输入端都有一个正端子和一个输入电阻为 120 kΩ 的共享公用端子。默认阈值为 1.5 V。当使用客户提供的可选阈值时，该阈值被设定为阈值引脚电压 (0 - 25 VDC) 的 50%。

表 3 布线 - 数字输入端

引脚	说明
COM (pin 1)	THRESHOLD (阈值) 负极
THRESHOLD (阈值)	25 VDC (最大)
COM	负极
IN #	正极

连接数字输入端

注意

请勿将数字输出端用于过程控制功能，比如泵的启动/关闭切换或水处理系统停机。数字输出连接不能替代 PLC (可编程逻辑控制器)。

I/O 模块有四个数字输出端。将一个兼容设备 (如远程警报指示器)、蜂鸣器或 PLC 连接至数字输出端。请参阅图 4 第 80、图 5 第 81 和表 4 连接数字输出端。请参阅规格第 72 了解数字输出端的规格。

当 PULLUP V 输入和相关内部上拉电阻器未使用时，数字输出端是单独的浮子开关。该开关常开。当用户选定的警报条件发生时，开关关闭。

要使用可选的 PULLUP V 输入和相关的内部 10 kΩ 内部上拉电阻器，向 PULLUP V 和 COM (pin 14) 引脚提供适用电压。然后，从 OUT # LO 引脚连接一跟跳线至 COM 引脚。输出信号逻辑为低电平有效。

表 4 布线 - 数字输出端

引脚	说明
OUT # HI	正极
OUT # LO	负极
COM	公用

³ 初次发布时 AS950 控制器固件不支持数字输入端。

表 4 布线 - 数字输出端 (续)

引脚	说明
PULLUP V	+25 VDC (最大) ⁴
COM (pin 14)	PULLUP V 公用

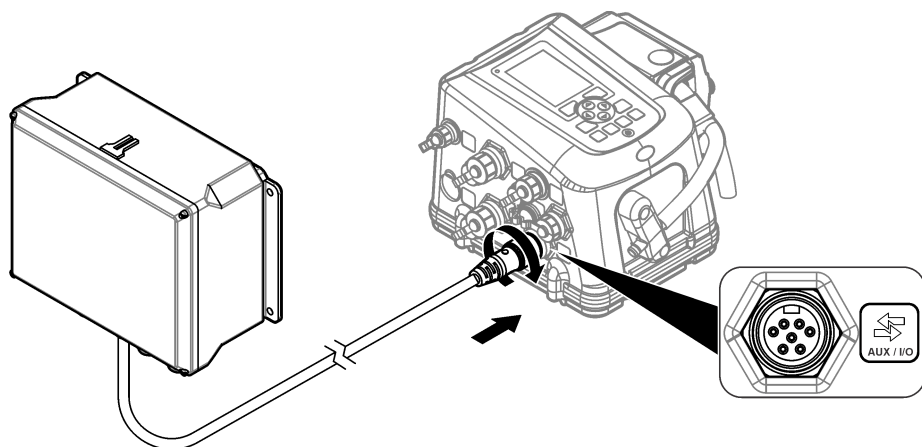
安装护盖

使用所提供的硬件安装护盖，确保通过外壳提供保护。请参阅 [拆下护盖](#) 第 79。确保护盖关闭严实。

连接至采样仪

将 I/O 模块电缆连接至采样仪 AUX I/O 端口。请参阅 [图 8](#)。

图 8 连接至采样仪



配置

配置 AUX I/O 端口

1. 按下 **MENU** (菜单)。
2. 选择 Hardware Setup (硬件设置) > AUX and I/O Port (AUX 和 I/O 端口) > Type (类型) > I/O Module (I/O 模块)。

启用继电器

启用连接至外部仪器的继电器。

1. 按下 **MENU** (菜单)。
2. 选择 AC Relays (AC 继电器)。
3. 选择适用的继电器。

⁴ 为数字输出端设定逻辑高电压。

配置继电器和数字输出端

选择触发继电器和/或数字输出端的警报。开始这一任务之前先配置警报。请参阅采样仪文档。

1. 按下 **MENU** (菜单)。
2. 选择 **Programming** (设定) > **Alarm Programming** (警报设定)。
3. 要选择系统警报 (如泵故障或瓶满)：
 - a. 选择 **System Alarms** (系统警报) > [选择系统警报], 然后按 **Next** (下一步)。
 - b. 选择 **Action** (执行), 然后按 **Edit** (编辑)。
 - c. 选择一个选项, 然后按 **OK** (确定)。

注: 当以下系统警报发生时, 继电器或数字输出端仅改变状态 4 秒。对于其它系统警报, 在警报活跃时继电器持续改变状态。

- 程序开始
- 程序结束
- 瓶更换
- 采样完成
- 丢失样品
- 清洗错误
- 分配臂错误
- 泵故障

选项	说明
设置继电器 1 (2、3 或 4)	将选定的继电器设为在警报活跃时改变状态。在警报活跃时继电器的常闭 (NC) 触点打开。在警报活跃时继电器的常开 (NO) 触点关闭。该警报记录在警报日志中。
设置数字输出端 1 (2、3 或 4)	将所选的数字输出端设为在警报活跃时为一个闭合开关或一个逻辑低电压。该警报记录在警报日志中。

4. 要选择一个通道设定警报:

- a. 选择 **Channel Alarms** (通道警报) > [选择通道警报], 然后按 **Next** (下一步)。

注: 通道警报后的数字指示源传感器。例如, **Temp 2** (温度 2) 是由 **Sensor 2** (传感器 2) 提供的温度测量值。

- b. 选择 **Action** (执行), 然后按 **Edit** (编辑)。
- c. 选择一个选项, 然后按 **OK** (确定)。

选项	说明
设置继电器 1 (2、3 或 4)	将选定的继电器设为在警报活跃时改变状态。在警报活跃时继电器的常闭 (NC) 触点打开。在警报活跃时继电器的常开 (NO) 触点关闭。该警报记录在警报日志中。
设置数字输出端 1 (2、3 或 4)	将所选的数字输出端设为在警报活跃时为一个闭合开关或一个逻辑低电压。该警报记录在警报日志中。

配置模拟输入端

1. 按下 **MENU** (菜单)。
2. 选择 **Hardware Setup** (硬件设置) > **AUX and I/O Port** (AUX 和 I/O 端口) > **Analog Inputs** (模拟输入) > [选择模拟输入] > **Setup Wizard** (设置向导)。
3. 使用 **DOWN** (向下) 箭头选择 **Enable** (启用), 然后按 **Next** (下一步)。
4. 按照屏幕提示进行操作。请参阅 **表 5** 了解有关设置的说明。

注: 要将模拟输入设置和校准设为出厂默认值, 请选择 **Restore Defaults** (恢复默认值)。

表 5 模拟输入端设置

设置	说明
Select Source Type (选择来源类型)	选择在所选模拟输入上显示的测量值。选项：液位、流速、流量、温度、pH
Select Loop Scale (选择回路范围)	选择模拟输入的模拟范围。选项：0–20 mA 或 4–20 mA

配置模拟输出端

1. 按下 **MENU (菜单)**。
2. 选择 **Hardware Setup (硬件设置) > AUX and I/O Port (AUX 和 I/O 端口) > Analog Outputss (模拟输出) > [选择模拟输出] > Setup Wizard (设置向导)**。
3. 使用 **DOWN (向下)** 箭头选择 **Enable (启用)**，然后按 **Next (下一步)**。
4. 按照屏幕提示进行操作。请参阅 **表 6** 了解有关设置的说明。

注： 要将模拟输出设置和校准设为出厂默认值，请选择“Restore Defaults (恢复默认值)”。

表 6 模拟输出端设置

设置	说明
Select Source (选择来源)	选择在所选模拟输出上显示的测量值。仅可选择记录到数据日志中的测量值。
Select Loop Scale (选择回路范围)	选择模拟输出的模拟范围。选项：0–20 mA 或 4–20 mA
Select Loop Power (选择回路电源)	将回路电源设置为内部或外部。 Internal (内部) — 选择采样仪作为模拟输出的电源。 External (外部) — 选择另一设备作为模拟输出的电源。选择外部时，采样仪作为可变电流限制设备。
Set Transfer Value (设置转换值)	当出现输入测量值错误时，设置模拟输出端上所提供的模拟回路值。选项：3.0 至 25.0 mA 以下情况时会出现输入测量值错误： <ul style="list-style-type: none"> • 传感器发生故障。 • 传感器提供的输入测量值无效。 • 控制器未检测到传感器。 • 用户已拆除传感器。

校准

校准模拟信号

校准模拟输入端以确保采样仪正确测量由外部仪器提供的模拟输入信号（4 mA 和 20 mA）。校准模拟输出端以确保采样仪提供的模拟输出（4 mA 和 20 mA）的值正确无误。

需准备： 提供模拟信号的数字万用表

1. 按下 **CALIBRATE (校准)**。
2. 选择 **I/O Module (I/O 模块) > Analog Input (模拟输入) (或 Analog Output (模拟输出))**。
3. 选择模拟输入（或模拟输出）以进行校准。
4. 按照屏幕提示进行操作。将万用表连接至适用的模拟输入或模拟输出端子。

维护

▲ 危险



多种危险。只有合规的专业人员才能从事文档中本部分所述的任务。

清洁仪器

使用湿布和温和的肥皂液清洁仪器的外部，然后擦干。

更换保险丝

▲ 危险



电击致命危险。在开始此维护任务前，断开仪器的所有电源和继电器连接。

▲ 危险



火灾危险。使用类型和额定电流相同的保险丝对原来的保险丝进行更换。

需准备： 保险丝，5 x 20 mm，1 A，250 V，快熔

更换熔断的保险丝以确保正确运行。请参阅 [布线概述](#) 第 79 了解保险丝位置。

1. 断开继电器连接的所有电源。
2. 拆下护盖。请参阅 [拆下护盖](#) 第 79。
3. 将熔断的保险丝从保险丝盒中拉出。
4. 将新保险丝装入保险丝盒。
5. 安装护盖。

备件

▲ 警告



人身伤害危险。使用未经批准的部件可能造成人身伤害、仪器损坏或设备故障。本部分中的更换部件均经过制造商的批准。

注： 一些销售地区的产品和物品数量可能有所不同。请与相关分销商联系或参阅公司网站上的联系信息。

说明	物品编号
保险丝，5 x 20 mm，1 A，250 V，快熔	180003201
电缆应力消除装置，直径 4.3 - 11.4 mm (0.17 - 0.45 in) 电缆	5202500
密封垫片，1/2-in.NPT	1033814
尼龙锁紧螺母，1/2-14, NPT	8774

目次

仕様 ページの 88

総合情報 ページの 89

設置 ページの 91

設定 ページの 101

校正 ページの 103

メンテナンス ページの 103

交換パーツ ページの 104

仕様

この仕様は予告なく変更されることがあります。

仕様	詳細
寸法 (高さ x 幅 x 奥行)	247 x 300 x 130 mm
筐体	IP66、NEMA 4X
重量	2.5 kg
汚染度/設置カテゴリー	2、II
保護クラス	II
作動温度	-40 ~ 50°C
保管温度	-40 ~ 80°C
保管/作動湿度	100 % 結露なし
ケーブル	補助ケーブル、2.74 m
ケーブルストレイ ンリリーフ	8
電源要件	12 ~ 15 VDC、1 A (AS950 コントローラーによって供給)
アナログ出力	IO9001: なし、IO9004: 3 0/4 ~ 20 mA 電流ループ、外部ループ電源 (最大 18 VDC) または内部ループ電源 (最小 14 VDC、最大 18 VDC)、ループ負担 — 最大 3.6 V @ 25 mA ワイヤサイズ: 24 ~ 16 AWG ソリッドまたはストランド銅線。アナログ出力は、個別にガルバニック絶縁されます ¹ 。
アナログ入力	IO9001: なし、IO9004: 2 電流入力モード: 0/4-20 mA、最大 18 VDC、最大ループ負担 108 Ω および 0.4 V 電圧パルス入力モード: 入力抵抗 — 標準 11 kΩ、パルス高レベル — 最小 4 V ~ 最大 15 V、パルス低レベル — 最小 0 V ~ 最大 2 V、ヒステリシス — 標準 0.5 V、パルス幅 (ハイまたはロー状態) — 最小 50 ms ワイヤサイズ: 24 ~ 16 AWG ソリッドまたはストランド銅線。アナログ入力は、個別にガルバニック絶縁されます ¹ 。
デジタル出力	IO9001: なし、IO9004: 4 低電圧 (最大 ±30 VDC または 20 VAC-rms @ 0.15 A) 接点クロージャリーリレー、オプションの外部支給ロジックレベルへのプルアップ (0 ~ 30 VDC) ワイヤサイズ: 24 ~ 16 AWG ソリッドまたはストランド銅線。デジタル出力は、グループとしてガルバニック絶縁されます。スイッチが COM ビンを基準にしない場合、スイッチは個別にガルバニック絶縁されます ¹ 。

¹ ガルバニック絶縁は、アースループ干渉の影響を減らすために使用されています。ガルバニック絶縁は、安全絶縁ではありません。

仕様	詳細
デジタル入力	IO9001: なし、IO9004: 4 0 ~ 25 VDC (入力抵抗 120 kΩ)、デフォルト内部しきい値 1.5 VVth 入力に印加されるオプションの外部電圧は、しきい値電圧 0.5*Vth を供給します。 ワイヤサイズ: 24 ~ 16 AWG ソリッドまたはストランド銅線。デジタル入力は、グループとしてガルバニック絶縁されます ¹ 。
リレー	IO9001: 1、IO9004: 4 フォーム C、20 ~ 230 VAC、0.006 ~ 0.5 A ワイヤサイズ: 20 ~ 14 AWG ソリッドまたはストランド銅線
認証	CE、UL/CSA 標準 (cETLus)
保証	米国: 1 年、EU: 2 年

総合情報

いかなる場合も、製造元は、例えそのような損害が生じる可能性について報告を受けていたとしても、本マニュアルに含まれるいかなる瑕疵または脱落から生じる直接的、間接的、特定、付随的または結果的に生じる損害に関して責を負いません。製造元は、通知または義務なしに、随時本マニュアルおよび製品において、その記載を変更する権利を留保します。改訂版は、製造元の Web サイト上にあります。

安全情報

告知

メーカーは、本製品の目的外使用または誤用に起因する直接損害、偶発的損害、結果的損害を含むあらゆる損害に対して、適用法で認められている範囲で一切責任を負わないものとします。ユーザーは、適用に伴う危険性を特定したり、装置が誤作動した場合にプロセスを保護するための適切な機構を設けることに関して、全責任を負うものとします。

この機器の開梱、設定または操作を行う前に、このマニュアルをすべてよく読んでください。危険および注意の注意事項に注意を払ってください。これを怠ると、使用者が重傷を負う可能性、あるいは機器が損傷を受ける可能性があります。

本装置に備わっている保護機能が故障していないことを確認します。本マニュアルで指定されている以外の方法で本装置を使用または設置しないでください。

危険情報の使用

▲ 危険

回避しなければ死亡または重傷につながる、潜在的または切迫した危険な状況を示します。

▲ 警告

避けない場合、死亡事故や負傷が起こるかも知れない危険な状況を示します。

▲ 注意




軽傷または中傷事故の原因となる可能性のある危険な状況を示しています。

告知

回避しなければ、装置の損傷を引き起こす可能性のある状況を示します。特に注意を要する情報。

使用上の注意ラベル

装置に取り付けてあるラベルとタグをすべてお読みください。これを怠ると、人身傷害や装置の損傷につながるおそれがあります。測定器に記載されたシンボルについては、使用上の注意が記載されたマニュアルを参照してください。

	<p>これは安全警報シンボルです。潜在的な障害を避けるためにこのシンボルのすべて安全メッセージに従ってください。装置上では、作業または安全情報に関しては取り扱い説明書を参照してください。</p>
	<p>このシンボルは感電の危険があり、場合によっては感電死の原因となる恐れのあることを示しています。</p>
	<p>このシンボルが付いている電気機器は、ヨーロッパ域内または公共の廃棄処理システムで処分できません。古くなったり耐用年数を経た機器は、廃棄するためにメーカーに無償返却してください。</p>

取得認証

カナダの障害発生機器規則、IECS-003、クラス A:

テスト記録のサポートはメーカーにあります。

このクラス A デジタル装置はカナダの障害発生機器規則の要件をすべて満たします。

Cet appareil numérique de classe A répond à toutes les exigences de la réglementation canadienne sur les équipements provoquant des interférences.

FCC PART 15、クラス「A」 限度値

テスト記録のサポートはメーカーにあります。この機器は FCC 規則のパート 15 に準拠します。運転は以下の条件を前提としています:

1. この装置が有害な干渉の原因とならないこと。
2. この装置が望ましくない動作の原因となる可能性のあるいかなる干渉にも対応しなければなりません。

これらの規格への準拠に責任を持つ当事者による明示的承認を伴わずにこの装置に対する改変または改造を行うと、ユーザーはこの機器を使用する権限を失う可能性があります。この装置は、FCC 規則のパート 15 に従って、クラス A のデジタル機器の制限に準拠することが試験によって確認されています。これらの制限は、この機器が商用の環境で使用されたときに、有害な干渉から適切に保護することを目的に設定されています。この機器は、無線周波数エネルギーを生成および使用するもので、取り扱い説明書に従って取り付けおよび使用しない場合にはそれを放射する場合があります、無線通信に対して有害な干渉を発生させる可能性があります。住宅地域における本装置の使用は有害な電波妨害を引き起こすことがあり、その場合ユーザーは自己負担で電波妨害の問題を解決する必要があります。以下の手法が干渉の問題を軽減するために使用可能です。

1. 装置から電源を取り外して、電源が干渉源かどうかを確認します。
2. 装置が干渉を受けている装置と同じコンセントに接続されている場合は、装置を別のコンセントに接続してください。
3. 妨害を受けている装置から本装置を離します。
4. 干渉を受けるデバイスの受信アンテナの位置を変更します。
5. 上記の手法を組み合わせてみます。

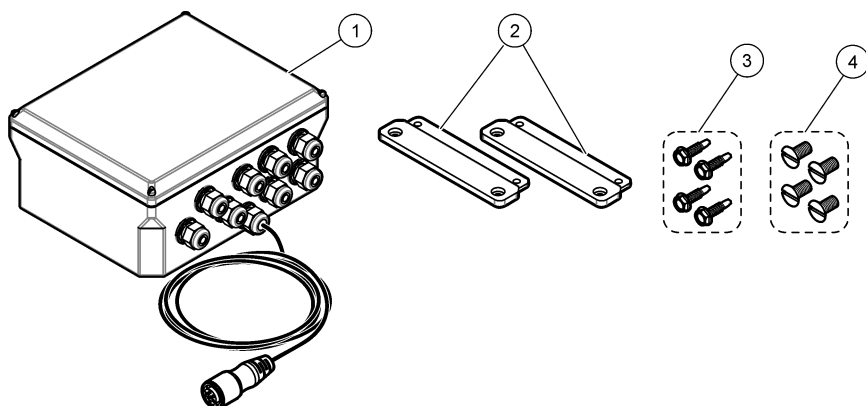
製品の概要

I/O モジュールは、AS950 サンプラーに接続して、サンプラーにリレー端子、アナログ入力端子、アナログ出力端子、デジタル入力端子およびデジタル出力端子を供給します。

製品のコンポーネント

すべてのコンポーネントが正しく納品されていることを確認します。図 1 を参照してください。コンポーネントが不足していたり損傷していたりする場合は、直ちに HACH Japan または弊社販売代理店にお問い合わせください。

図 1 製品のコンポーネント



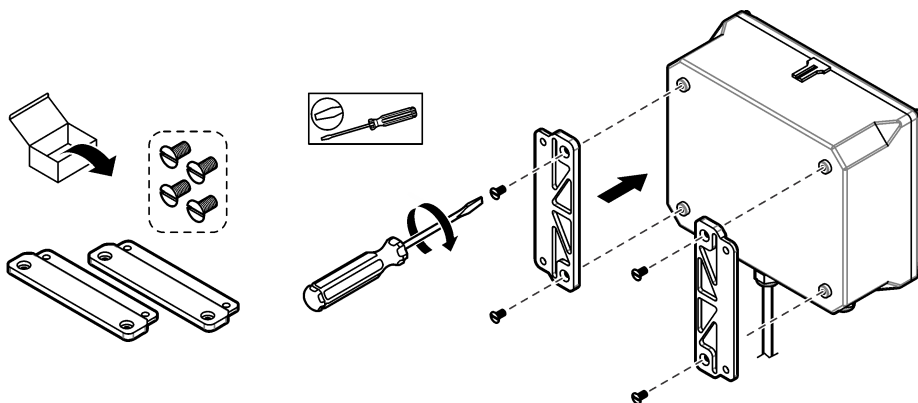
1 IO9000 モジュール	3 セリフドリリングねじ
2 取り付けブラケット	4 ブラケットを取り付けるためのねじ

設置

本装置の定格高度は最大 2000 m です。2,000 m 以上高度で本機を使用しても、安全性に関して重大な懸念が発生することはありませんが、心配がある場合は、技術サポートに連絡することをお勧めします。

ブラケットの取り付け

次の図の手順に示されているように、ブラケットを取り付けます。



装置の取り付け

告知

ねじが冷蔵サンプラーの側面に 12.5 mm 以上を超えて入ると、内部コンポーネントが損傷する場合があります。冷蔵式サンプラーの損傷を防ぐために、付属のねじを使用してください。

I/O モジュールは、ユーザーが AS950 コントローラからその I/O モジュールを簡単に切断できるような、平らな垂直面に取り付けてください。I/O モジュールが I/O モジュールケーブルを AUX I/O ポートに接続できるほどサンプラーの十分近くにあることを確認します。I/O モジュールの壁面への取り付けについては、[図 2](#) を参照してください。

I/O モジュールのサンプラーへの取り付けについては、[図 3](#) を参照してください。

図 2 壁への取り付け

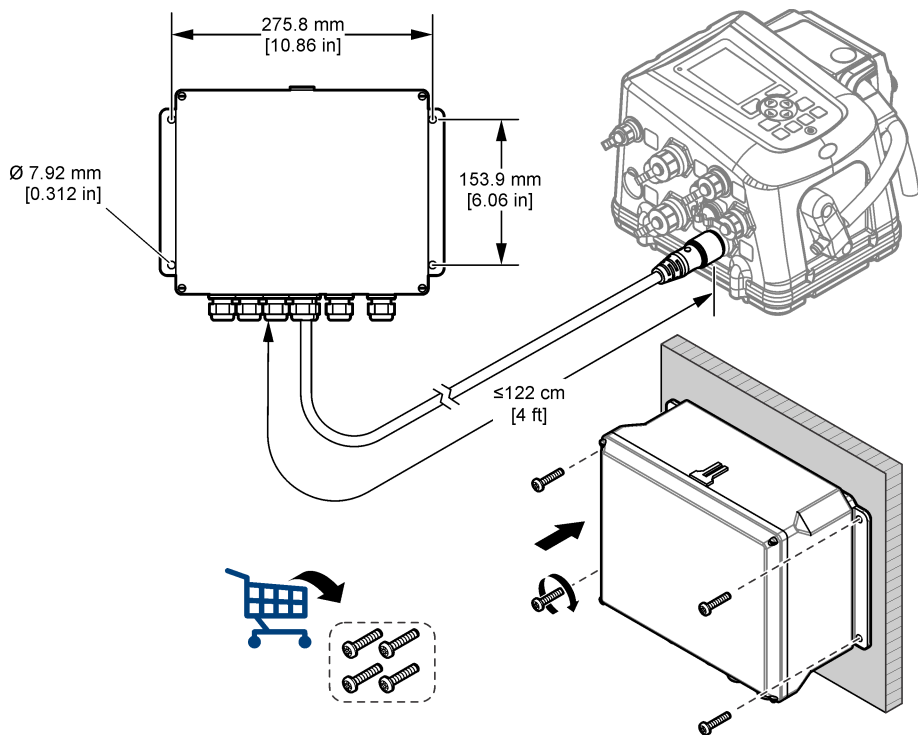
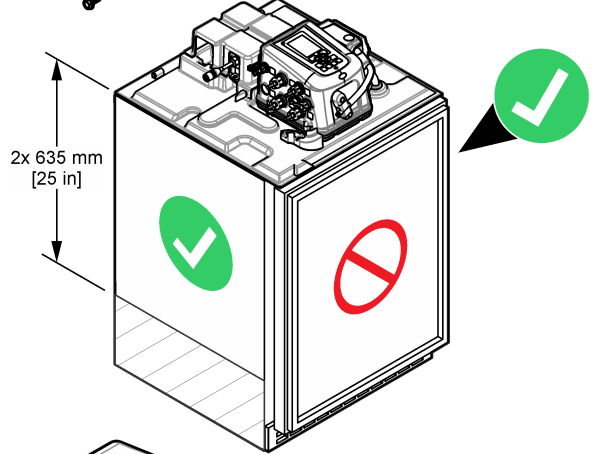
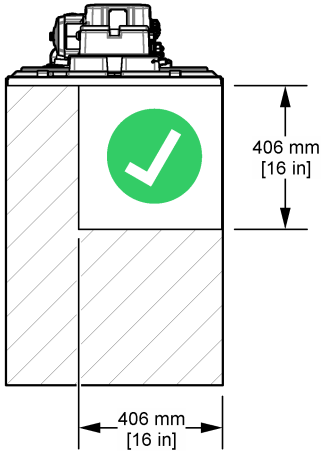
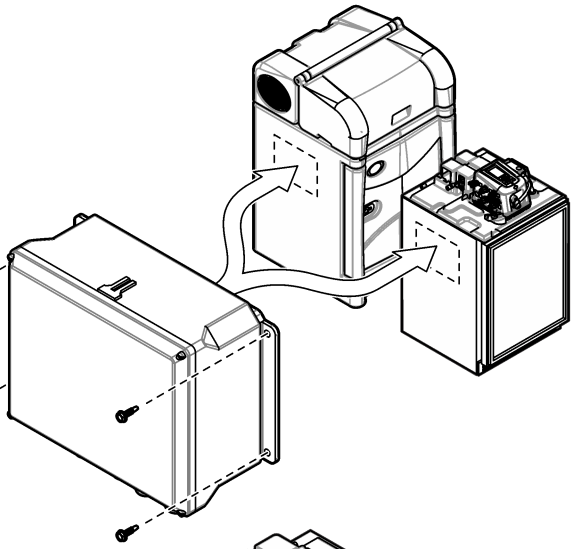
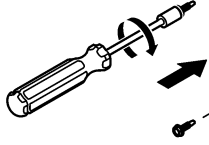
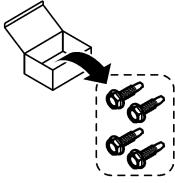
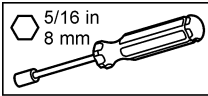


図3 サンプラーの取り付け場所



▲ 危険



感電死の危険。電気の接続を行う際には、常に装置への電源を切り離してください。

▲ 危険



感電死の危険。指定された耐環境保護等級の接続金具のみを使用してください。仕様セクションに記載されている要件に従ってください。

▲ 警告



電気ショックの危険。外部接続された機器には、該当する国の安全標準評価が必要です。

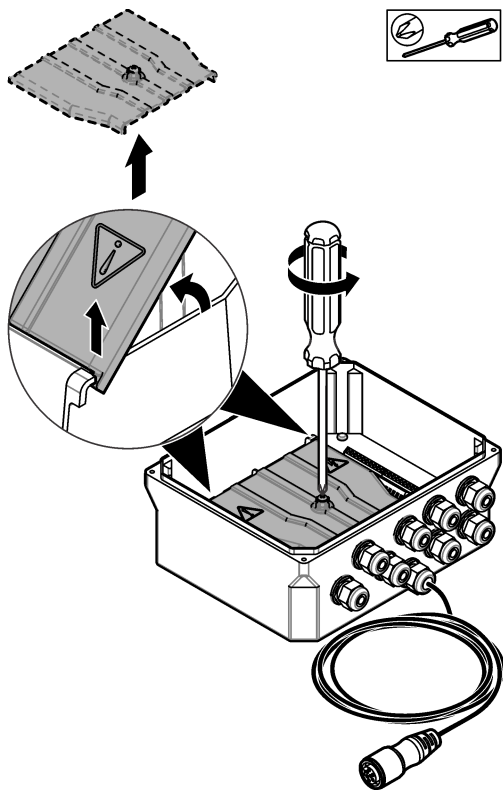
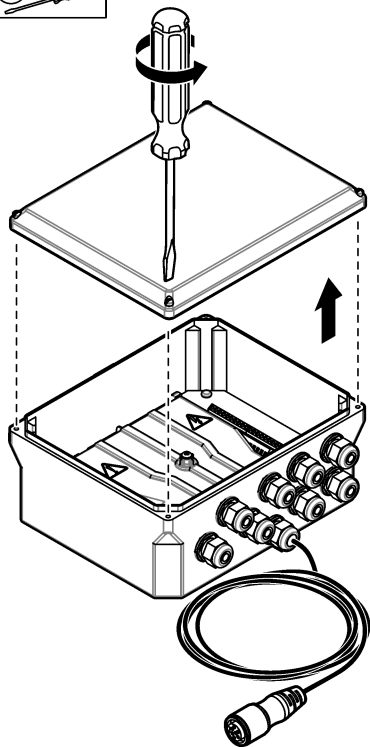
告知

地域、地方および国の要件に従って機器が装置に接続されていることを確認してください。

- 直径 4.3 ~ 11.4 mm のケーブルを使用します。ケーブルが張ったときにケーブルストレーンリリーフに収まるようにするためです。
- ケーブルストレーンリリーフに複数のケーブルを入れないでください。
- 電線管を端子に接続するには、取り付けられているケーブルストレーンリリーフを電線管の金具と交換します。電線管を I/O モジュールに接続するには、ケーブルストレーンリリーフを密封電線管に置き換え、I/O モジュールの接合板にコンジットを接合します。信頼性の高い、低インピーダンスアース接続の場合、同径の独立したアース線を引き出して、接合板上の接地ラグ端子に取り付けます。
- 使用されていないすべてのケーブルストレーンリリーフをロッド、ケーブル、または付属の密封コードで閉じて湿気が入らないようにします。
- リレー接続の場合、20 A の回路遮断機 (最大) を使用する必要があります。リレー接続には、ローカル切断デバイスが必要です。切断デバイスは、このデバイスが切断デバイスであることを明記する必要があります。デバイスは、周辺が片付いており、接続やメンテナンス作業が行える場所にあることを確認します。

カバーの取り外し

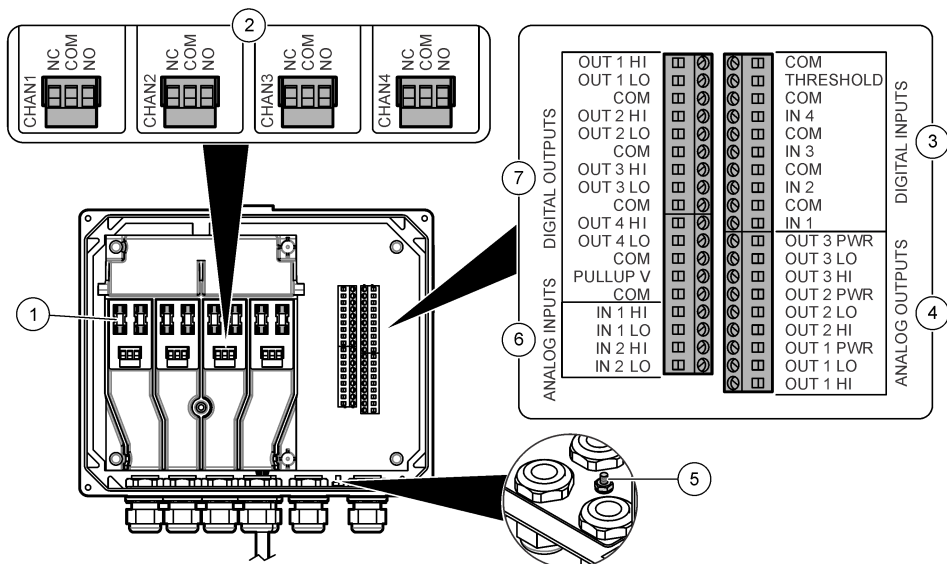
次の図の手順に示されているように、カバーを取り外します。



配線の概要

図4は、ワイヤの接続部とヒューズの場所を示しています。配線を用意して取り付けするには、図5を参照してください。

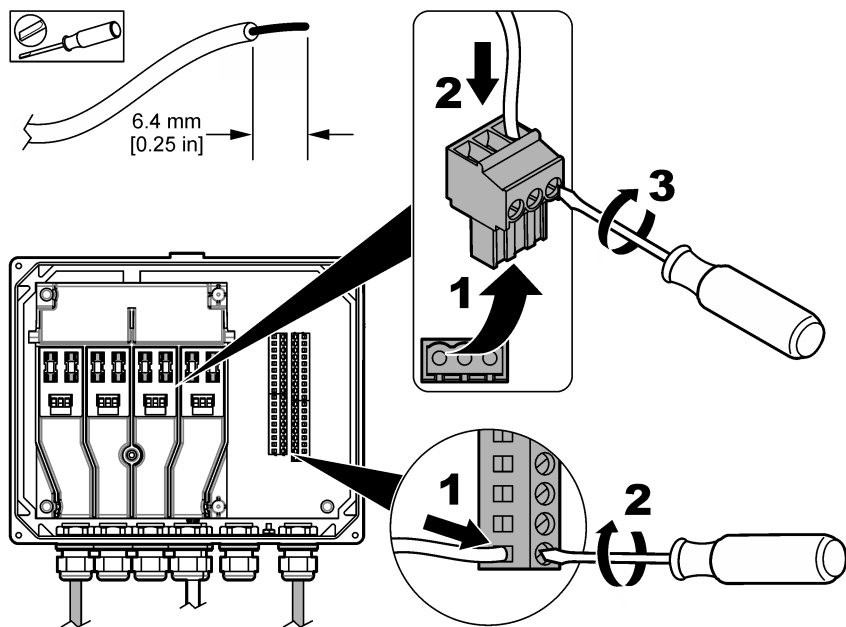
図 4 配線の概要



1 ヒューズ (x 8)	5 シールドワイヤのアーススタッド ²
2 リレー (x 4)	6 アナログ入力 (x 2)
3 デジタル入力 (x 4)	7 デジタル出力 (x 4)
4 アナログ出力 (x 3)	

² リング端子を使用して接続を行います。リング端子は付属していません。

図 5 ワイヤの取り付け



リレーの接続

▲ 警告	
	感電の危険の可能性。電源とリレー端子は単線終端として設計されています。各端子には単線以外には使用しないでください。
▲ 警告	
	火災危険の可能性。装置内部の主電源接続からコモン リレー接続をディジーチェーンやジャンパワイヤ接続しないでください。
▲ 注意	
	火災の危険。リレーの負荷は抵抗性でなければなりません。必ず外部ヒューズまたはブレーカーを用いてリレーへの電流を制限してください。仕様セクションに記載されているリレー定格に従ってください。

I/O モジュールには、電動式でない 4 つのアラームリレーがあります。リレーで選択されたアラーム条件が発生すると、各リレーは状態が切り替わります。アラーム条件には、ブーリアンの OR または AND 論理設定での 1 つ以上のアラームが含まれます。リレーとデジタル出力の設定 ページの 101 を参照してください。

リレーを制御デバイスまたはアラームデバイスに接続します。リレーを接続するには、図 4 ページの 96、図 5 ページの 97、表 1 を参照してください。リレーの仕様については、仕様 ページの 88 を参照してください。リレーは、互いに絶縁されていて、低電圧入力/出力回路からも絶縁されています。

リレー端子では、(負荷の用途による決定に従って) 20 ~ 14 AWG ワイヤを使用できます。絶縁定格が 300 VAC 以上であるワイヤを使用してください。

リレー接点の電流は、0.5 A 以下である必要があります。緊急事態やメンテナンスで、リレーからローカルで電力を除去するために、別のスイッチを利用できるようにしてください。

大規模な誘導負荷（モーターやポンプなど）の切り替えや、0.5 A よりも高い電流では、リレーの寿命を延ばすために補助リレーを使用してください。

永続的に接続される用途の主電源回路への端子接続では、最低で 300 V、60°C の絶縁定格が必要です。電源コード接続で主電源回路に接続される端子は、二重絶縁でなければならず、内部と外部の絶縁レベルは共に 300 V、60°C の定格が必要です。

表 1 配線 - リレー

NC	COM	NO
常時間	コモン	常時間

アナログ入力の接続

I/O モジュールには、2 つのアナログ入力があります。補助装置（サードパーティの超音波センサーなど）をアナログ入力に接続して、サンプラーに測定値を供給します。アナログ入力の仕様については、仕様 ページの 88 を参照してください。

24 ~ 16 AWG ワイヤを使用して、各アナログ入力に補助装置を 1 台接続します。ワイヤが 7.62 m よりも長い場合は、19 AWG ~ 16 AWG ワイヤを使用してください。アナログ入力を接続するには、図 4 ページの 96、図 5 ページの 97、表 2 を参照してください。

より対ペアシールドワイヤで接続を行います。シールドを電線管の背面プレートのスタッドか、ケーブルの一番端で接続します。

- ケーブルの両端でシールドを接続しないでください。
- シールドされていないケーブルを使用すると、無線周波数放射または許容限度を超える受信レベルになる可能性があります。

表 2 配線 - アナログ入力

ピン	説明
IN # HI	+
IN # LO	-

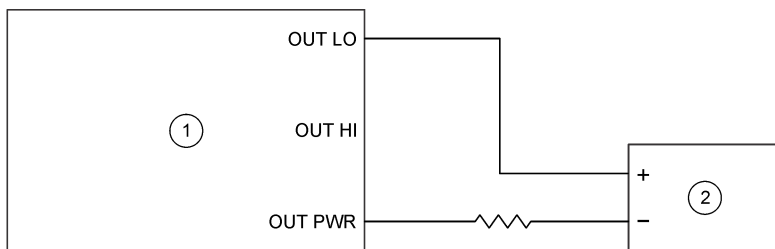
アナログ出力の接続

I/O モジュールには、絶縁された 3 つの 0 ~ 20 mA または 4 ~ 20 mA のアナログ出力があります。サンプラーから外部機器に測定値を供給するようにアナログ出力を設定します。アナログ出力の仕様については、仕様 ページの 88 を参照してください。

アナログ出力を接続するには、図 6 と図 7 を参照してください。ワイヤ接続を行うには、図 4 ページの 96 と図 5 ページの 97 を参照してください。より対ペアシールドワイヤで接続を行い、シールドを電線管の背面プレートのアーススタッドに接続します。

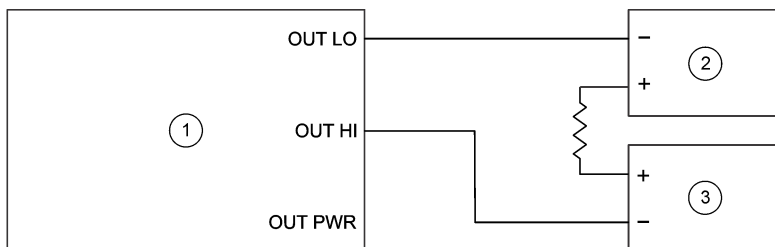
- ケーブルの両端でシールドを接続しないでください。
- シールドされていないケーブルを使用すると、無線周波数放射または許容限度を超える受信レベルになる可能性があります。

図 6 I/O モジュール給電ループ



1 アナログ出力	2 外部デバイス
----------	----------

図 7 外部電源ループ



1 アナログ出力	3 外部デバイス
2 外部電源	

デジタル入力の接続

I/O モジュールには、4 つのデジタル入力があります。³ リモートデバイスやスイッチをデジタル入力に接続します。デジタル入力を接続するには、[図 4](#) ページの 96、[図 5](#) ページの 97、[表 3](#) を参照してください。デジタル入力の仕様については、[仕様](#) ページの 88 を参照してください。

各デジタル入力には、プラスの端子と、入力抵抗 120 kΩ の共有コモンがあります。デフォルトのしきい値は、1.5 V です。オプションのお客様指定のしきい値を使用すると、しきい値は、しきい値ピンに印加される電圧 (0 ~ 25 VDC) の 50% で設定されます。

表 3 配線 - デジタル入力

ピン	説明
COM (ピン 1)	しきい値の場合、マイナス
THRESHOLD	最大 25 VDC
COM	マイナス
IN #	プラス

デジタル出力の接続

告知

デジタル出力は、ポンプのオン/オフや水処理装置のシャットダウンなどのプロセス制御機能に使用しないでください。デジタル出力接続は、PLC (プログラマブルロジックコントローラ) の代わりとして使用できません。

³ 初期リリースでは、AS950 コントローラーのファームウェアはデジタル入力をサポートしていません。

I/O モジュールには、4 つのデジタル出力があります。リモートアラームインジケータ、ブザー、PLC など、互換性があるデバイスをデジタル出力に接続します。デジタル出力を接続するには、[図 4](#) ページの 96、[図 5](#) ページの 97、[表 4](#) を参照してください。デジタル出力の仕様については、[仕様](#) ページの 88 を参照してください。

デジタル出力は、PULLUP V 入力と、関連する内部プルアップ抵抗が使用されていない場合、独立したフローティングスイッチになります。スイッチは常時開です。ユーザーが選択したアラーム条件が発生すると、スイッチが閉じます。

オプションの PULLUP V 入力と、関連する内部 10 k Ω 内部プルアップ抵抗を使用するには、該当する電圧を PULLUP V および COM (ピン 14) ピンに供給します。次に、OUT # LO ピンから COM ピンにジャンパーを接続します。出力信号論理は、アクティブローです。

表 4 配線 - デジタル出力

ピン	説明
OUT # HI	プラス
OUT # LO	マイナス
COM	コモン
PULLUP V	最大 +25 VDC ⁴
COM (ピン 14)	PULLUP V 用のコモン

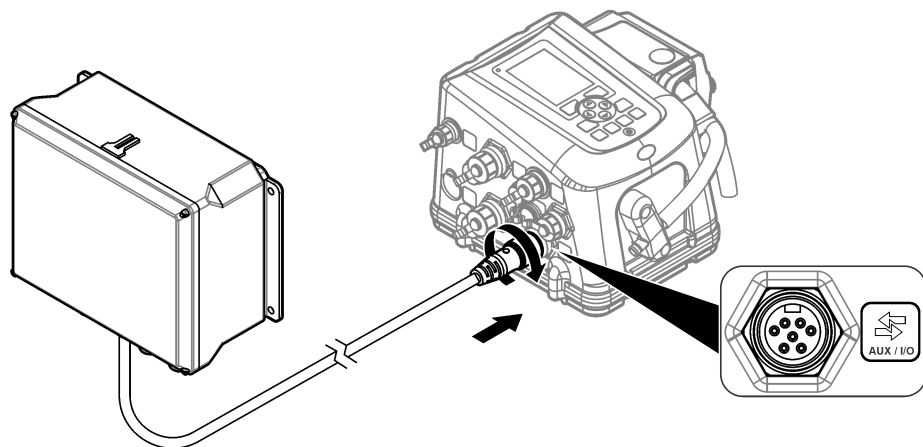
カバーの取り付け

カバーを付属のハードウェアと共に取り付けて、筐体による保護を保ちます。[カバーの取り外し](#) ページの 95 を参照してください。カバーがきちんと閉じられていることを確認してください。

サンプラーへの接続

I/O モジュールケーブルをサンプラーの AUX I/O ポートに接続します。[図 8](#) を参照してください。

図 8 サンプラーへの接続



⁴ デジタル出力用の論理ハイ電圧を設定します。

設定

AUX I/O ポートの校正

1. **[MENU (メニュー)]** を押します。
2. **[Hardware Setup (ハードウェア設定)]** > **[AUX and I/O Port (補助および I/O ポート)]** > **[Type (種類)]** > **[I/O Module (I/O モジュール)]** を選択します。

リレーを有効にする

外部装置に接続されているリレーを有効にします。

1. **[MENU (メニュー)]** を押します。
2. **[AC Relays (AC リレー)]** を選択します。
3. 該当するリレーを選択します。

リレーとデジタル出力の設定

リレーやデジタル出力をトリガするアラームを選択します。このタスクを開始する前に、アラームを設定してください。サンプラーの説明書を参照してください。

1. **[MENU (メニュー)]** を押します。
2. **[Programming (プログラミング)]** > **[Alarm Programming (アラームのプログラミング)]** を選択します。
3. システムアラーム (ポンプ障害またはフルボトルなど) を選択するには：
 - a. **[System Alarms (システムアラーム)]** > **[(システムアラームを選択)]**, **[Next (次へ)]** を押します。
 - b. **[Action (アクション)]** を選択し、**[Edit (編集)]** を押します。
 - c. オプションを選択し、**[OK]** を押します。

注: 次のシステムアラームが発生すると、リレーまたはデジタル出力が、状態が4秒間だけ切り替わります。その他のシステムアラームでは、アラームがアクティブな間、リレーが、状態が切り替わったままになります。

- プログラムの開始
- プログラムの終了
- ボトルの変更
- サンプル完了
- サンプルなし
- バージェラー
- ディストリビューターアームエラー
- ポンプ障害

オプション	説明
リレー 1 (2、3、4) の設定	選択したリレーが、アラームがアクティブになったときに状態が切り替わるように設定します。リレーの常時閉 (NC) 接点は、アラームがアクティブになったときに開きます。リレーの常時開 (NO) 接点は、アラームがアクティブになったときに閉じます。アラームはアラームログに記録されます。
デジタル出力 1 (2、3、4) の設定	選択したデジタル出力が、アラームがアクティブになったときに閉じられたスイッチまたは論理ロー電圧になるように設定します。アラームはアラームログに記録されます。

4. チャンネルのセットポイントアラームを選択するには

- a. **[Channel Alarms (チャンネルアラーム)]** > **[(チャンネルアラームを選択)]** し、**[Next (次へ)]** を押します。

注: チャンネルアラームの後に続く番号は、ソースセンサーを特定します。たとえば、Temp 2 は、センサー 2 によって供給される温度測定値です。

- b. [Action (アクション)] を選択し、[Edit (編集)] を押します。
- c. オプションを選択し、[OK] を押します。

オプション	説明
リレー 1 (2、3、4) の設定	選択したリレーが、アラームがアクティブになったときに状態が切り替わるように設定します。リレーの常時閉 (NC) 接点は、アラームがアクティブになったときに開きます。リレーの常時開 (NO) 接点は、アラームがアクティブになったときに閉じます。アラームはアラームログに記録されます。
デジタル出力 1 (2、3、4) の設定	選択したデジタル出力が、アラームがアクティブになったときに閉じられたスイッチまたは論理ロー電圧になるように設定します。アラームはアラームログに記録されます。

アナログ入力 of 校正

1. [MENU (メニュー)] を押します。
2. [Hardware Setup (ハードウェア設定)] > [AUX and I/O Port (補助および I/O ポート)] > [Analog Inputs (アナログ入力)] > [(アナログ入力を選択)] > [Setup Wizard (設定ウィザード)] を選択します。
3. 下矢印を使用して有効を選択し、[Next (次へ)] を押します。
4. 画面上の表示に従います。設定の説明については、表 5 を参照してください。

注: アナログ入力設定と校正を工場出荷時のデフォルトに設定するには、[Restore Defaults (デフォルトに復元)] を選択します。

表 5 アナログ入力設定

設定	説明
Select Source Type (ソースの種類の選択)	選択したアナログ入力に表示する測定を選択します。オプション: レベル、速度、流量、温度、pH
Select Loop Scale (ループスケールの選択)	アナログ入力のアナログレンジを設定します。オプション: 0 ~ 20 mA または 4 ~ 20 mA

アナログ出力 of 設定

1. [MENU (メニュー)] を押します。
2. [Hardware Setup (ハードウェア設定)] > [AUX and I/O Port (補助および I/O ポート)] > [Analog Outputs (アナログ出力)] > [(アナログ出力を選択)] > [Setup Wizard (設定ウィザード)] を選択します。
3. 下矢印を使用して有効を選択し、[Next (次へ)] を押します。
4. 画面上の表示に従います。設定の説明については、表 6 を参照してください。

注: アナログ出力設定と校正を工場出荷時のデフォルトに設定するには、[Restore Defaults (デフォルトに復元)] を選択します。

表 6 アナログ出力の設定

設定	説明
Select Source (ソース選択)	選択したアナログ出力に表示する測定を選択します。データログに記録されている測定のみを選択できます。
Select Loop Scale (ループスケールの選択)	アナログ出力のアナログレンジを設定します。オプション: 0 ~ 20 mA または 4 ~ 20 mA

表 6 アナログ出力の設定 (続き)

設定	説明
Select Loop Power (ループ電源の選択)	ループ電源を内部または外部に設定します。 Internal (内部) — アナログ出力の電源としてサンプラーを選択します。 External (外部) — アナログ出力の電源として他のデバイスを選択します。 外部を選択した場合、サンプラーは可変の電流制限デバイスとしての役目を果たします。
Set Transfer Value (転送値の設定)	入力測定のエラーが発生した場合にアナログ出力で入力されるアナログループ値を設定します。 オプション: 3.0 ~ 25.0 mA 入力測定では、次の場合にエラーが発生します。 <ul style="list-style-type: none"> • センサーの誤作動が発生した。 • センサーからの入力測定値が有効ではない。 • コントローラーでセンサーが検出されない。 • ユーザーがセンサーを取り外した。

校正

アナログ出力の校正

アナログ入力を校正して、外部装置が供給するアナログ入力信号 (4 mA および 20 mA) がサンプラーによって正しく測定されるようにします。アナログ出力を校正して、サンプラーによって供給されるアナログ出力信号 (4 mA および 20 mA) が正しい値になるようにします。

用意するもの: アナログ信号を供給するデジタルマルチメーター

1. [CALIBRATE (校正)] を押します。
2. [I/O Module (I/O モジュール)] > [Analog Input (アナログ入力)] (または [Analog Output (アナログ出力)]) を押します。
3. 校正するアナログ入力 (またはアナログ出力) を選択します。
4. 画面上の表示に従います。マルチメーターを該当するアナログ入力またはアナログ出力端子に接続します。

メンテナンス

⚠ 危険



複合的な危険。本書のこのセクションに記載されている作業は、必ず資格のある要員が行う必要があります。

装置の清掃

装置の表面を湿らせた布と中性石鹼液で洗浄し、乾燥するよう拭き取ります。

ヒューズの交換

⚠ 危険



感電死の危険。このメンテナンス作業を開始する前に、装置とリレー接続から電源をすべて取り外してください。

⚠ 危険



火災の危険。ヒューズを交換する場合は、同じタイプおよび定格電流のヒューズを使用してください。

用意するもの: ヒューズ、5 x 20 mm、1 A、250 V、ファースト

正しく作動させるために、切れたヒューズを交換します。ヒューズの場所については、[配線の概要](#) ページの 95 を参照してください。

1. リレー接続へのすべての電源を取り外します。
2. カバーを取り外します。[カバーの取り外し](#) ページの 95 を参照してください。
3. ヒューズのホルダーから、切れたヒューズを引き抜きます。
4. 新しいヒューズをヒューズホルダーに入れます。
5. カバーを取り付けます。

交換パーツ

▲ 警告



負傷の危険。未承認の部品を使用すると、負傷、装置の破損、または装置の誤作動を招く危険性があります。このセクションでの交換部品は、メーカーによって承認済みです。

注: プロダクト番号とカタログ番号は、一部の販売地域では異なる場合があります。詳細は、取り扱い販売店にお問い合わせください。お問い合わせ先については、当社の [Web サイト](#) を参照してください。

説明	アイテム番号
ヒューズ、5 x 20 mm、1 A、250 V、ファースト	180003201
ケーブルストレーンリリーフ、4.3 ~ 11.4 mm ケーブル	5202500
ワッシャー、シーリング、1/2 インチ NPT	1033814
ナット、ナイロン、ジャム、1/2-14、NPT	8774



HACH COMPANY World Headquarters

P.O. Box 389, Loveland, CO 80539-0389 U.S.A.
Tel. (970) 669-3050
(800) 227-4224 (U.S.A. only)
Fax (970) 669-2932
orders@hach.com
www.hach.com

HACH LANGE GMBH

Willstätterstraße 11
D-40549 Düsseldorf, Germany
Tel. +49 (0) 2 11 52 88-320
Fax +49 (0) 2 11 52 88-210
info@hach-lange.de
www.hach-lange.de

HACH LANGE Sàrl

6, route de Compois
1222 Vézenaz
SWITZERLAND
Tel. +41 22 594 6400
Fax +41 22 594 6499