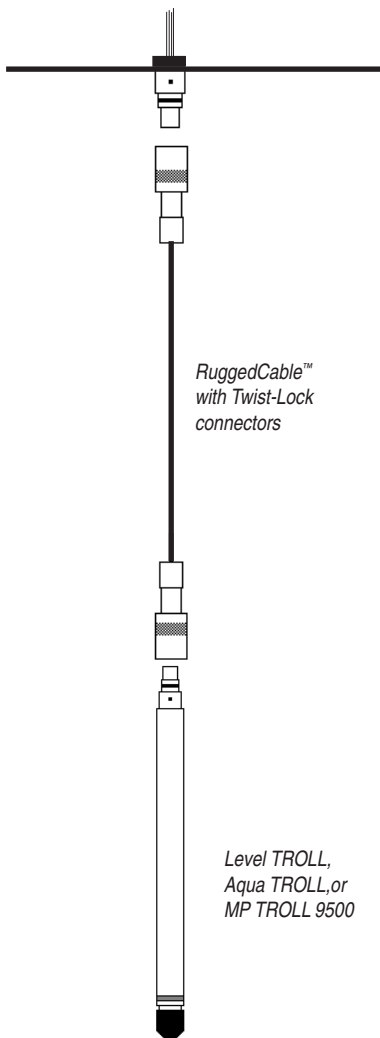
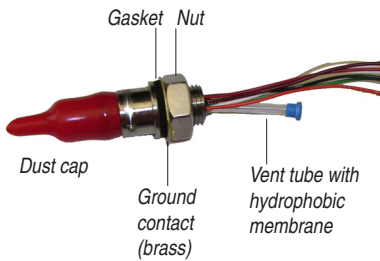


Information Sheet
Catalog No. 0053240

BULKHEAD CONNECTOR


APPLICATION

A panel-mounted bulkhead that mates with Twist-Lock connectors on In-Situ RuggedCable™.

CONNECTIONS & WIRING

1. Drill and tap hole.
 - Drill bit: 29/64 (.453)
 - Tap: 1/2" - 20 - NF-UNF
2. Remove jam nut and ground contact from connector assembly.
3. Thread connector assembly through drilled and tapped hole, and tighten.
4. Attach ground contact and ground it.
5. Attach jam nut and tighten.
6. Wire conductors per table below. See wiring diagrams on back of sheet.

SPECIFICATIONS

Output 6-wire plus ground
Environmental Rating IP67

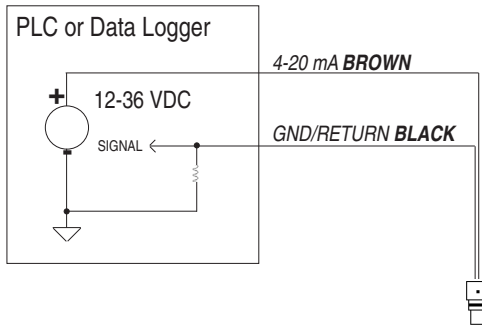
Wire Color	Signal	Level TROLL, Aqua TROLL	TROLL 9500
Black	GND	✓	✓
Red	EXT PWR	8-36 V	8-16 V
Blue	485(+)	✓	✓
Green	485(-)	✓	✓
Brown	4-20 mA	✓	NOT USED
White	SDI-12	✓	NOT USED*

**An adapter (catalog no. 0095200) is required for SDI-12 operation of a TROLL 9500.*

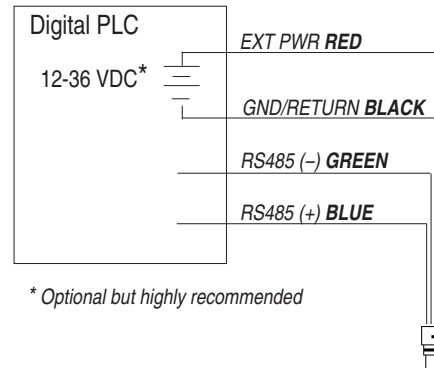
BULKHEAD CONNECTOR

Catalog No. 0053240

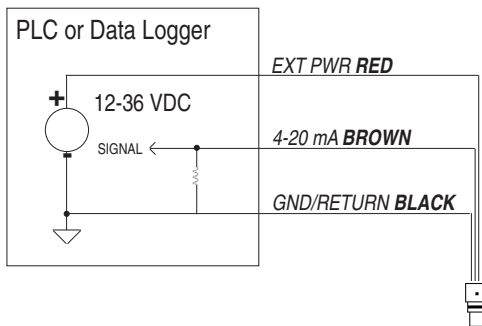
LEVEL TROLL ANALOG (4-20 mA) 2 WIRE



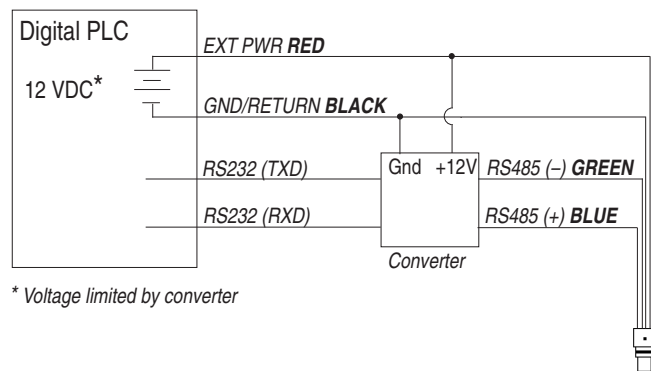
MODBUS MASTER with RS485 built in



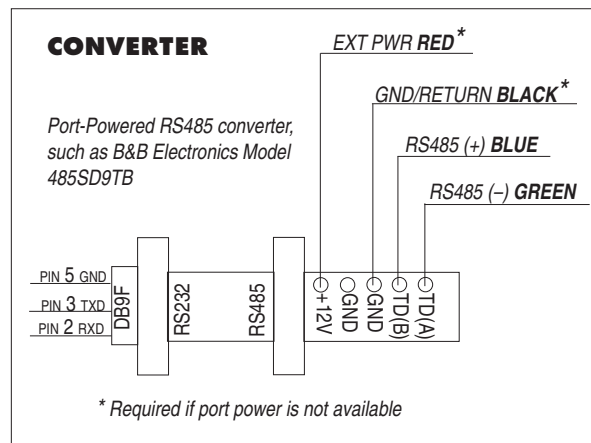
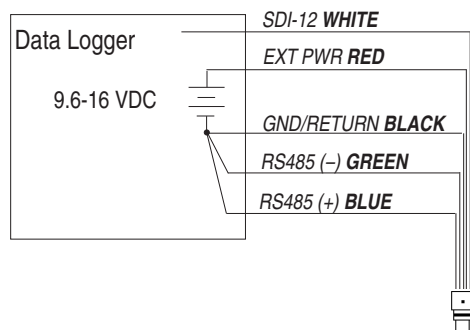
AQUA TROLL ANALOG (4-20 mA) 3 WIRE



MODBUS MASTER with RS232 built in (converter required)



LEVEL TROLL / AQUA TROLL SDI-12 3 WIRE



1 800 446 7488

(toll-free, US and Canada) or 970 498 1500 www.in-situ.com

 **In-Situ Inc.**

Due to continuing product development this information is subject to change without notice. In-Situ and the In-Situ Inc. logo, Win-Situ, TROLL, BaroTROLL, RuggedReader, RuggedCable, and RDO are trademarks or registered trademarks of In-Situ Inc., Fort Collins, CO, USA. Copyright © 2006, 2008 by In-Situ Inc. All rights reserved.

0053242 rev.003 03/08