

A44, A49 Antenna Quick Start Guide

This guide will help you get started. Detailed setup instructions are available in the data logger manual.

Overview

NexSens cellular and radio high gain antennas are ideal for remote data logging applications. The low profile and rugged designs allow for long term deployments in harsh environments.



Figure 1: NexSens A44 radio (white antenna, pictured on left) and A49 cellular (black antenna, pictured on right) high gain antennas

What's Included

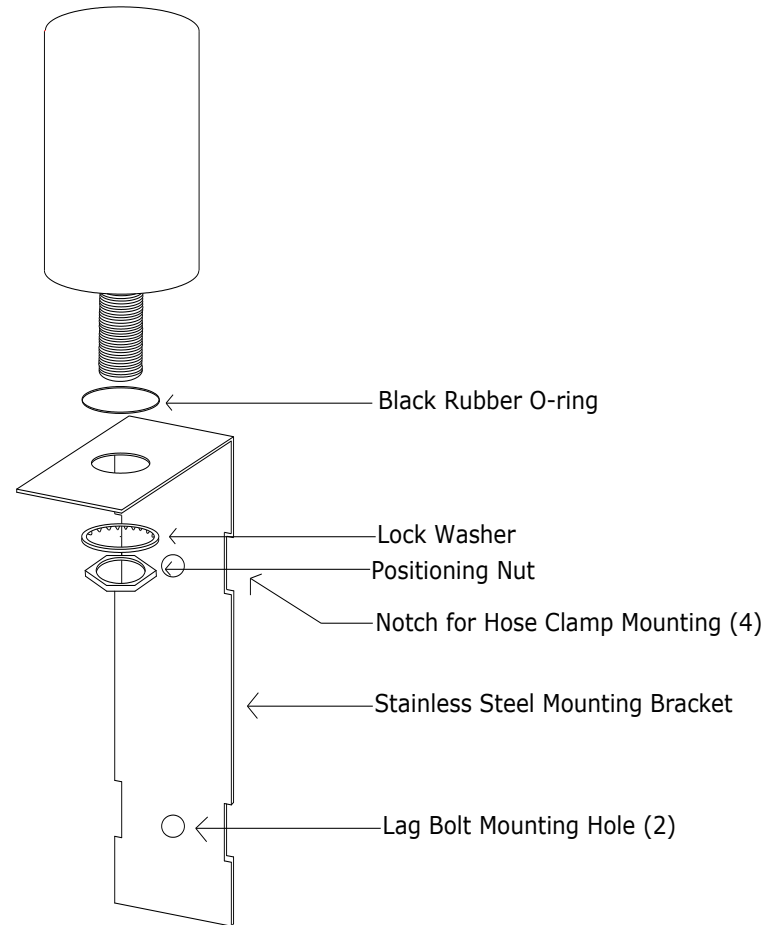
- High gain radio or cellular antenna
- Antenna mounting aluminum angle bracket, 6" length
- (2) Hose clamps, max OD 2.75"

Mounting

The mounting bracket can be used with the provided hose clamps to fasten the kit to masts and pipes (1-13/16" to 2-3/4" diameter range).

The mounting bracket can also be used with two lag bolts (not included) to mount the antenna assembly to a wall, building, or other structure.

To maximize performance, antennas should be positioned in a location that will maximize signal strength.



Revision: 02
Revision Date: January 4, 2011

1415 Research Park Drive
Beavercreek, Ohio 45432
937-426-2703
www.NexSens.com