



METEOROLOGICAL INSTRUMENTS

INSTRUCTIONS

**ULTRASONIC ANEMOMETER
MODEL 81000V**





MODEL 81000V ULTRASONIC ANEMOMETER



1.0 SPECIFICATION SUMMARY

WIND SPEED

Range: 0 to 40 m/s (0 to 90 mph)
 Resolution: 0.01 m/s
 Threshold: 0.01 m/s
 Accuracy: $\pm 1\%$ rms ± 0.05 m/s (0 to 30 m/s)
 $\pm 3\%$ rms (30 to 40 m/s)

WIND DIRECTION

Azimuth Range: 0.0 to 359.9 degrees
 Elevation Range: ± 60.0 degrees
 Resolution: 0.1 degree
 Accuracy: $\pm 2^\circ$ (1 to 30 m/s)
 $\pm 5^\circ$ (30 to 40 m/s)

SPEED OF SOUND

Range: 300 to 360 m/s
 Resolution: 0.01 m/s
 Accuracy: $\pm 0.1\%$ rms ± 0.05 m/s (0 to 30 m/s wind)

SONIC TEMPERATURE

Range: -50 to +50 °C
 Resolution: 0.01 °C
 Accuracy: ± 2 °C (0 to 30 m/s wind)

VOLTAGE INPUT

(4 CHANNELS)
 Range: 0 to 5000mV V1 and V2
 0 to 1000mV V3 and V4
 Resolution: 1 part in 4000
 Accuracy: $\pm 0.1\%$ of full scale

GENERAL

Air sample column: 10 cm high X 10 cm diameter
 Air sample path: 15 cm
 Output rate: 4 to 32 Hz (selectable)
 Output formats: Serial data (selectable)
 RS-232 and RS-485
 Baud Rates: 1200 to 38400
 Power Supply: 12 to 24 VDC, 110 mA
 Dimensions: Overall height 56 cm
 Support arm radius 17 cm
 Mounting 34 mm (1.34 in) diameter
 (standard 1 inch pipe)
 Weight: Sensor weight 1.7 kg (3.8 lb)

2.0 INTRODUCTION

The Young Model 81000V measures three dimensional wind velocity and speed of sound based on the transit time of ultrasonic acoustic signals. Sonic temperature is derived from speed of sound which is corrected for crosswind effects. Four voltage input channels measure DC signals from external sensors concurrent with wind measurements

Measurement data are available as serial output using RS-232 or RS-485 connections. A variety of serial output formats are available including a custom format which is easily set by the user.

Operating parameters may be edited via simplified menus using an ordinary serial communication program like HyperTerm. All parameters are stored in non-volatile memory.

Superior environmental resistance is achieved by using UV stabilized thermoplastic, stainless steel, and anodized aluminum components. Electrical connections are made via an easily accessible junction box. The unit mounts on standard 1 inch pipe, outside diameter 34mm (1.34").

3.0 INITIAL CHECKOUT

Carefully unpack the unit and inspect for physical damage. Any damage should be reported to the shipper. The sensor arrives fully calibrated and ready to use.

FACTORY DEFAULT CONFIGURATION:

Serial Outputs:
 - RS232 at 38400 Baud
 - ASCII Text Serial String
 Wind Speed - 3D (m/s)
 Direction (Deg)
 Elevation (Deg)
 Speed of Sound (m/s)
 Sonic Temperature (°C)

Analog Voltage Inputs:
 - Channel V1: 0-5000mV Full Scale
 - Channel V2: 0-5000mV Full Scale
 - Channel V3: 0-1000mV Full Scale
 - Channel V4: 0-1000mV Full Scale

NOTE: Factory default settings omit voltage input measurements from the serial output string. To include them, set CUSTOM or POLL CUSTOM serial output format. See section 6.7. All analog input measurements are normalized to a 0-4000 unitless scale

A simple four-step operational check may be performed as follows:

1. Remove junction box cover. Connect power and signal wires to terminals as indicated in wiring diagram (APPENDIX A) for RS-232 OUTPUT. Connect serial cable to computer COM port.
2. Start a serial communications program (like HyperTerm) with baud rate at 38400 and flow control set to NONE.
3. Apply power to the 81000V sensor. There will be a 4 second delay for initialization then the unit will begin to output data at four times per second using the following format: speed (m/s) azimuth (deg) elevation (deg) speed-of-sound (m/s) sonic-temperature (°C). Verify that all values are present on the display.

Typical output is shown below:

```

0.00 0.0 0.0 346.70 25.14
0.00 0.0 0.0 346.68 25.11
0.00 0.0 0.0 346.76 25.25
0.00 0.0 0.0 346.80 25.30
0.00 0.0 0.0 346.76 25.25
0.00 0.0 0.0 346.80 25.30
0.00 0.0 0.0 346.80 25.30
0.00 0.0 0.0 346.82 25.35

```

A threshold level of 0.2 m/s is preset from the factory. Wind below the threshold, such as in still air, is output as 0.00 m/s. Azimuth may be any value from 0.0 to 359.9 degrees. When wind speed is below threshold level, azimuth output is maintained at the last value read before the wind speed went below threshold. Elevation also remains zero until threshold is exceeded. Speed of sound ranges from 300 m/s to 360 m/s depending on temperature. At 20°C the value is about 344 m/s. Sonic temperature may be compared to a standard Celsius thermometer and should agree within ±2°C. If values appear questionable or any value is not displayed, remove power and check all wiring connections. If the problem cannot be corrected, contact your YOUNG representative.

- Verify sensor response by gently blowing through the measuring section. Wind from the north side (marked "N"), should produce a positive SPEED response and an AZIMUTH display corresponding to North (i.e.: values around 359.9 or 0.0). Wind from the opposite direction should produce values indicating south, (around 180.0) and so forth. Downward wind produces negative ELEVATION values, upward wind produces positive values.

After proper operation is confirmed, the sensor may be installed. Complex data collection or serial communication schemes should be tested and verified before final installation. It is easier to confirm wiring connections and communication protocol on a test bench than a tower. Factory settings may be changed by following the instructions in the next section.

4.0 COMMAND MENU

Sending the ESC character (ASCII 27) three times in quick succession takes the unit out of OPERATE mode and causes the COMMAND MENU to appear.

```

COMMANDS (VERSION 7.0.05)
-----
R) REPORT
S) SETUP
X) EXIT TO OPERATE MODE

```

Access each menu item by sending the character associated with the menu item of interest. Characters may be upper or lower case. Send "X" to return to OPERATE mode. The following paragraphs explain the function of each menu item and associated sub-menu. The version number may differ from that shown above.

NOTE: Command menu access requires standard RS-232 or full-duplex RS-485 non-bussed communication.

5.0 REPORT

REPORT summarizes current parameter settings. Some parameters are for factory diagnostics only and cannot be accessed or altered by the user. Typical values appear as follows:

PATH	LENGTH(cm)	CH	DELAY(μs)	CMP
A	15.341	1	19.650	516
			19.550	484
			23.875	570
			23.750	524
B	15.245	2	26.675	511
			26.500	466
C	15.146	3	26.675	511
			26.500	466

```

OUTPUT FORMAT: CUSTOM
789AB [ 3D-SPEED AZIMUTH ELEVATION SOS Ts ]
WIND SPEED UNITS: m/s
OUTPUT RATE: 4 Hz
SAMPLES FOR AVERAGE: 0
MODE: AUTO
WAKE CORRECTION: YES
ERROR HANDLING: OMIT INVALID DATA
VOLTAGE OUTPUT FORMAT: SPEED, AZIMUTH, ELEVATION, TEMP
VOLTAGE OUTPUT SCALE: 0 TO 25 m/s = 0-5000 mV
0 TO 540 DEG AZIMUTH = 0-5000mV
-60 TO +60 DEG ELEVATION = 0-5000 mV
220K to 320 K DEG KELVIN = 0-5000mV
CORRELATION TOLERANCE: 125
COMPARE SHIFT: 0
HI SPEED ADC SAMPLES: 10
THRESHOLD: 20 cm/s
ACCESS LEVEL: NORMAL

```

6.0 SETUP

SETUP allows editing operating parameters to suit the needs of a particular application. The SETUP menu and detailed explanation of each menu item follows:

```

SET PARAMETERS
-----
A) AVERAGING
B) BAUD
E) ERROR HANDLING
N) SCALING MULT
O) OUTPUT RATE
P) POLL CHARACTER (ADDR)
S) SER OUT FORMAT
T) THRESHOLD
U) UNITS
W) WAKE CORRECTION
X) EXIT TO MAIN MENU

```

6.1 AVERAGING

AVERAGING sets the number of output samples used to calculate block averages of wind measurements. With NUMBER OF SAMPLES TO AVERAGE set to 0, no averaging takes place.

The block average update rate is a function of OUTPUT RATE and NUMBER OF SAMPLES TO AVERAGE.

$$\text{Update Rate (Hz)} = (\text{OUTPUT RATE})/(\text{SAMPLES TO AVG})$$

```

NUMBER OF SAMPLES TO AVERAGE: 0
ENTER NEW VALUE (0 - 320):

```

6.2 BAUD RATE

BAUD sets the baud rate for serial communication. Faster baud rates may be required if the output string is long and the output rate is fast (see OUTPUT RATE). There is also a setting for HALF or FULL duplex RS-485. HALF duplex may be used in simple installations where minimal wiring is required and the unit is set for continuous output. Use FULL duplex when polling or frequent parameter changes are anticipated. Note that the DUPLEX setting applies to RS-485 only since the RS-232 is always full duplex by default.

```

BAUD: 38400
-----
A) 1200
B) 2400
C) 4800
D) 9600
E) 19200
F) 38400
X) EXIT TO MAIN MENU

```

```
FOR RS-485 ONLY!
DUPLX = 2
-----
1) HALF
2) FULL
X) EXIT TO MAIN MENU
```

6.3 ERROR HANDLING

ERROR HANDLING determines the manner in which invalid measurements are handled. Invalid measurements can occur when the acoustic path of the sonic signal is blocked or internal circuits fail. Acoustic blockage may be caused by rain drops, ice, snow, or other debris on the transducers. When set to INCLUDE INVALID DATA, an output always occurs. If CUSTOM serial output is used, an ERROR CODE may be included in the output string to indicate an error condition. When set to OMIT INVALID DATA, invalid measurements are not output.

```
ERROR HANDLING: 2
-----
1) INCLUDE INVALID DATA
2) OMIT INVALID DATA
X) EXIT
```

6.4 SCALING MULTIPLIER

SCALING MULT sets overall scaling for UVW, 2D, and 3D wind speed outputs. Azimuth and elevation angle are not effected. The default value of 10000 represents a scaling multiplier of 1.0000. Normally, this value should not be changed since each instrument is calibrated in the YOUNG factory wind tunnel. Users who wish to alter the scaling based on independent calibration assessment may use this parameter to do so.

```
SCALING MULTIPLIER: 10000
ENTER NEW VALUE:
```

6.5 OUTPUT RATE

OUTPUT RATE sets the rate at which samples serially output. Fast output rates and long serial output strings may require higher baud rates in order to keep up with the outgoing data stream. See SERIAL COMMUNICATION in SECTION 7 for additional details. If AVERAGING is used, average results are available only after enough output samples have been collected. See AVERAGING for details.

```
OUTPUT RATE 4Hz
-----
A) 4 HZ
B) 5 HZ
C) 8 HZ
D) 10 HZ
E) 16 HZ
F) 20 HZ
G) 32 HZ
X) EXIT TO MAIN MENU
```

6.6 POLL CHARACTER

POLL CHARACTER (ADDR) sets the address character for polled operation (POLL CUSTOM or POLLED BINARY output formats). Any printable ASCII character may be used to assign an address that uniquely identifies the instrument. When bussed on an RS-485 network with other 81000V instruments, each one should have a different address character.

```
POLL CHARACTER (ADDR): A
ENTER NEW CHARACTER:
```

To poll the 81000V, send MA! where A is the unique POLL CHARACTER. The 81000V will respond with the POLL CHARACTER and a space followed by the serial output string.

6.7 SERIAL OUTPUT FORMAT

SERIAL OUTPUT FORMAT sets the output string for serial output. Preset and custom formats are available.

```
SERIAL OUTPUT FORMAT 1
-----
1) CUSTOM
3) NMEA (CHANGES OTHER PARAMETERS, SEE MANUAL)
4) POLLED CUSTOM
6) POLLED BINARY
X) EXIT TO MAIN MENU
```

CUSTOM

CUSTOM format allows the user to construct an ASCII-printable serial output string. Long strings may require higher BAUD rates or lower OUTPUT RATES. (See BAUD and OUTPUT RATE.) Also, see UNITS. When CUSTOM is selected the following message and sub-menu appear:

```
CURRENT SERIAL OUTPUT FORMAT:
789AB [ 3D-SPEED AZIMUTH ELEVATION SOS Ts ]
CONSTRUCT AN OUTPUT FORMAT BY SELECTING FROM THE LIST BELOW.
ELEMENTS MAY BE IN ANY ORDER. REFER TO MANUAL FOR DETAILS.
```

```
-----
1) VIN1
2) VIN2
3) VIN3
4) VIN4
5) UVW
6) 2D SPEED
7) 3D SPEED
8) AZIMUTH
9) ELEVATION
A) SOS
B) Ts
C) CHKSUM
E) ERR CODE
V) INTERNAL VOLTAGE
```

```
ENTER CUSTOM STRING (12 CHARACTERS MAX):
```

VIN1 to VIN4 are the four voltage input channels. Standard calibration sets VIN1 and VIN2 to 0-5000 mV full scale, VIN3 and VIN4 to 0-1000 mV full scale. In all cases, the voltage input measurement is normalized to a 0-4000 unitless scale and this is the value that will appear in the output string.

UVW is the orthogonal u, v, and w wind velocities. All three values are output. Typically the 81000V is oriented with u-axis aligned east-west and v-axis aligned north-south. In this orientation, +u values = wind from the east; +v values = wind from the north. Wind from below (updraft) = +w. Refer to Appendix B for illustration.

2D SPEED is wind magnitude in the u-v plane.

3D SPEED is wind magnitude in three dimensional space.

AZIMUTH is the 0.0-359.9° wind direction angle in the u-v plane. With the 81000V junction box facing south, 0.0° = north, 90.0° = east, 180.0° = south, and 270.0° = west. Refer to Appendix B for illustration.

ELEVATION is the ±90.0° wind elevation angle relative to the u-v plane. Values are positive when wind is from below (updraft) and negative when from above (downdraft). Effective elevation angle measurements are limited to ±60.0°. Refer to Appendix B for illustration.

SOS is the speed of sound.

Ts is the sonic temperature derived from SOS.

CHKSUM calculates the bitwise exclusive-or of all characters in the output string starting with the first character and ending with

the last character of the last field before the checksum. The checksum is expressed as a two-digit hex value preceded a space.

ERROR CODE indicates the validity of the measurement. Any non-zero value indicates an invalid measurement. ERROR HANDLING must be set to INCLUDE INVALID DATA to use this field. Keys to the error codes provide no useful information to the user.

INTERNAL VOLTAGE is the internal supply voltage. Because it is measured after current overload protection devices, it will always be less than the supply voltage measured at the connection terminals.

NMEA

NMEA sends wind speed and direction in NMEA marine format to Young Model 06206 Marine Wind Tracker display or other NMEA device. The sentence is \$WIMWV,aaa,R,ss.s,N,A where aaa = wind direction angle in degrees and ss.s = wind speed in knots. **When NMEA is selected the OUTPUT RATE is changed to 4 Hz and THRESHOLD is set to 50 cm/sec.** Most NMEA systems use 4800 baud but, because some systems use other baud rates, this setting should be changed manually if necessary.

POLLED CUSTOM

POLL CUSTOM format allows the sensor to be polled for a measurement. See CUSTOM for details on constructing the output string. Poll by sending MA! (where 'A' is the POLL CHARACTER ADDRESS).

After a measurement has completed, the sensor responds with the POLL CHARACTER followed by the custom serial output string.

Up to 32 sonic anemometers may be networked using the RS-485 connection. By assigning a unique address to each device, multiple units may run on the same network and respond individually only when polled.

POLLED BINARY

POLLED BINARY starts a measurement and sends serial data in binary rather than ASCII format. The advantage of using POLLED BINARY output format is that data output strings are shorter and data does not have to be parsed and converted from ASCII characters to numeric values. The disadvantage is that the output cannot be examined directly as text. The 18-byte binary output string description appears below.

Byte Index	Description
0	U vector cm/s (signed integer)
2	V vector cm/s (signed integer)
4	W vector cm/s (signed integer)
6	T Sonic temperature K x 100 (unsigned integer)
8	V1 Input 5V Full Scale (unsigned int 0-4000)
10	V2 Input 5V Full Scale (unsigned int 0-4000)
12	V3 Input 1V Full Scale (unsigned int 0-4000)
14	V4 Input 1V Full Scale (unsigned int 0-4000)
16	Status (byte, non-zero = error)
17	Checksum (byte, XOR of all chars, hex val)

The POLLED BINARY format may be employed using one of two different methods.

The first method uses the MA! command to initiate a sonic measurement ('A' is the sensor POLL CHARACTER ADDRESS, see section 6.6). When the measurement is complete, the sensor automatically transmits measurement data in binary form. The

delay between the start of the measurement and data availability is determined by the OUTPUT RATE parameter (see section 6.5)

The second method uses separate trigger and data-retrieval commands. Any sensor that receives a Tr! command while set for POLLED BINARY operation will immediately start a sonic measurement. The command is not address-specific. When the measurement is complete, data will be available for retrieval using the RA! command ('A' is the unique POLL CHARACTER ADDRESS, see section 6.6).

The time required to complete a measurement after the Tr! command depends on OUTPUT RATE. Also, if multiple sensors are connected on a shared RS-485 bus, each RA! command and its reply must be given enough time to complete. The time constraints are shown in the table below:

Output Rate (Hz)	Measurement Complete (ms)	Minimum Delay between bussed RA! cmds (ms)
4	225	33
5	175	23
8	115	13
10	90	11
16	58	10
20	45	10
32	25	10

The Tr!/RA! trigger/retrieve method is useful for synchronizing simultaneous measurements with multiple 81000V sensors. After completing a measurement triggered by the Tr! command, data from each sensor (uniquely addressed) can be retrieved with the RA! command. Data rates up to 10 Hz with six sensors on a single full-duplex bus have been demonstrated (38.4k baud). Faster rates or more sensors may be configured by adjusting operating parameters.

6.8 THRESHOLD

THRESHOLD sets wind speed threshold for the following output formats only: NMEA, SPEED AZIMUTH ELEVATION. UVW outputs are unaffected. Setting THRESHOLD greater than 0 prevents fluctuating azimuth and elevation values at wind speeds near zero. While these values are correctly derived, they are meaningless or distracting in some applications.

When wind speed is at or above threshold, all output values are updated normally. When speed is below threshold, speed and elevation outputs are set to zero and the azimuth output is held at its last value. Setting THRESHOLD to 0 effectively disables the feature. Note that units are cm/sec.

```
THRESHOLD (cm/s) : 20
ENTER NEW THRESHOLD (cm/s, 0-500) :
```

6.9 UNITS

UNITS sets wind speed units for CUSTOM serial output. Resolution associated temperature units are as follows:

Wind Speed units and resolution	Temperature units and resolution
cm/s 1	K 0.01
m/s 0.01	C° 0.01
mph 0.1	F° 0.01
km/h 0.1	C° 0.01
knots 0.1	F° 0.01

UNITS 2

1) cm/s
2) m/s
3) mph
4) km/h
5) knots
X) EXIT TO MAIN MENU

6.10 WAKE CORRECTIONS

WAKE CORRECTION enables or disables real-time correction algorithms. To compensate for flow distortions in the wake of support struts and other mechanical features, each 81000 is individually calibrated in the YOUNG factory wind tunnel (NIST traceable) to generate a unique correction table which is stored in the unit. Additional compensating algorithms correct for elevation angle distortions and crosswind effects on speed of sound.

WAKE CORRECTION: YES
USE WAKE CORRECTION? (Y/N):

7.0 APPLICATION NOTES

SERIAL COMMUNICATION

Selection of RS232 or RS485 is made inside the sensor j-box by positioning the shorting blocks on jumper W6. Typical wiring connections are shown in APPENDIX A. RS-485 half-duplex connections can simplify some installations since less cable is needed and, when operated in polled mode, the connections may be bussed.

Long custom output strings at high output rates and low baud rates may exceed the time needed to send the string. Solutions include using fewer measurement parameters, lower OUTPUT RATES, higher BAUD RATE, or some combination of these solutions. With measurement parameters, for example, sending wind data in both UVW and SPEED, AZIMUTH, ELEVATION formats is redundant and wastes space in the string.

HALF DUPLEX TIMING CONSTRAINTS

If RS-485 half-duplex mode is used for continuous output, high output rates and long output strings create a progressively smaller window of time in which to receive commands. Under some conditions, the 81000V may not respond to the ESC commands since the unit will be spending most of its time in transmit mode. RS-485 is best used in POLLED MODE or at modest output rates. In contrast, a full-duplex RS-232 or RS-485 scheme is immune to the timing limitations described above and commands may be received even while data is being sent.

Polling in half-duplex RS-485 mode at high rates may be limited by the timing capability of both the polling device and the 81000. Advantages gained from bussing multiple sensors may be lost if timing problems arise. For fast polling, a full-duplex scheme is recommended.

HIGH WIND SPEED MEASUREMENTS

For best measurement results, particularly at high wind speeds, always choose the lowest OUTPUT RATE possible. Lower output rates use a greater number of internal samples to generate the result and are more immune to outliers in the samples. If measuring for spectral content, carefully determine the needed sampling rate and use the lowest OUTPUT RATE necessary.

RAIN AND SNOW

Anything that blocks the acoustic signal path will degrade the measurement. If the path is blocked sufficiently, measurements cannot be made. The 81000V can make accurate measurements

in driving rain even at high OUTPUT RATES but light mist or heavy fog can allow droplets to accumulate on the transducer faces and block the measurement.

Measurements may be made in driving snow although frost and snow that adheres to the transducer face may block the measurement. Similarly, freezing rain on the transducer face may block the measurement.

POWER CONNECTIONS

Supply power must be in the range of 12 to 24 VDC at the sensor junction box terminals in order for the sensor to operate properly. For long cables, be sure to allow for voltage drop due to wire resistance.

VOLTAGE INPUTS

The voltage inputs have no anti-aliasing filters. This has no impact on low frequency or D.C. measurements. Users wishing to examine spectral components of voltage input measurements may need to supply an external anti-aliasing filter if the signal contains meaningful energy above the OUTPUT RATE frequency (f).

8.0 WARRANTY

This product is warranted to be free of defects in materials and construction for a period of 12 months from date of initial purchase. Liability is limited to repair or replacement of defective item. A copy of the warranty policy may be obtained from R. M. Young Company.

9.0 CE COMPLIANCE

This product has been tested and shown to comply with European CE requirements for the EMC Directive. Note that shielded cable must be used.

Declaration of Conformity

R. M. Young Company
2801 Aero Park Drive
Traverse City, MI 49686 USA

Model 81000V Ultrasonic Anemometer

The undersigned hereby declares, on behalf of R. M. Young Company that the above-referenced product, to which this declaration relates, is in conformity with the provisions of:

Council Directive 2004/108/EC (December 15, 2004)
on Electromagnetic Compatibility



David Poinsett
R&D Manager

APPENDIX A: WIRING CONNECTIONS

RS-232 Connections

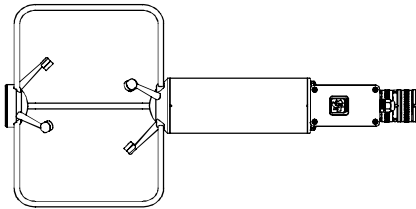
Factory default settings:

- 38400 baud, 1 start, 8 data, no parity, 1 stop bit, no flow control
- 789AB Custom ASCII Serial Output Format
- 7 = 3D Wind Speed (m/s)
- 8 = Wind Direction Angle (0-360°)
- 9 = Wind Elevation Angle (-60 to +60°)
- A = Speed of Sound (m/s)
- B = Sonic Temperature (C°)
- Output Rate 4Hz
- Threshold 20 cm/s (0.2 m/s)
- Wake Correction Enabled
- Omit Invalid Data

See manual section 6.7 for SERIAL OUTPUT FORMAT options.

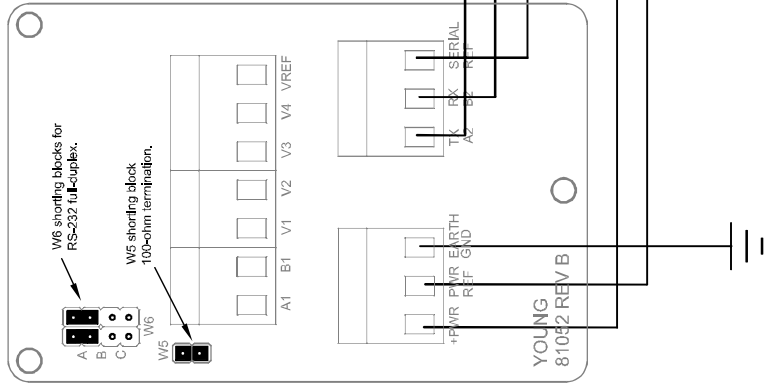
Verify shorting block jumpers at W5 and W6 as shown.

Use shielded cable. Connect cable shield to ground at one end only as shown. For maximum reliability, connect sensor Earth Ground as close to sensor as possible.



Model 81000V

Ultrasonic Anemometer



Typical DB-9
RS-232 Connection

APPENDIX A: WIRING CONNECTIONS

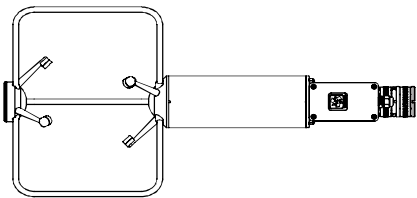
VOLTAGE INPUT CONNECTIONS

Factory default settings omit voltage input measurements from the serial output string. To include them, set CUSTOM or POLL CUSTOM serial output format. See section 6.7 of manual.

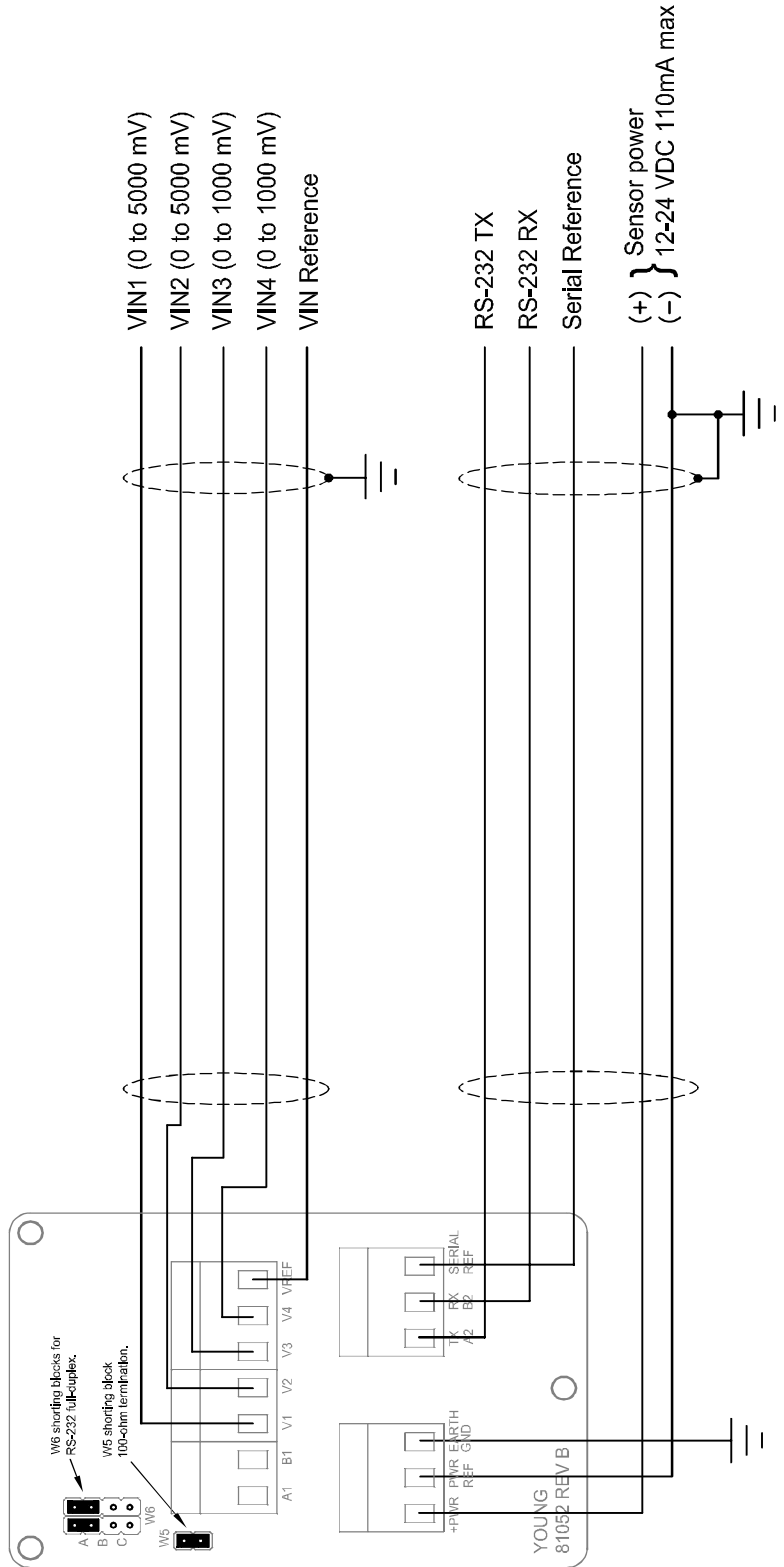
VIN1, VIN2 0 to 5000mV = 0 to 4000 (unitless)
 VIN3, VIN4 0 to 1000mV = 0 to 4000 (unitless)

Voltage inputs are single ended measurements. Minimize voltage drops on the VIN REFERENCE wire. For serial output, either RS-232 or RS-485 may be used. RS-232 shown here.

Use shielded cable. Connect cable shield to ground at one end only as shown. For maximum reliability, connect sensor Earth Ground as close to sensor as possible.



Model 81000V
Ultrasonic Anemometer



APPENDIX A: WIRING CONNECTIONS

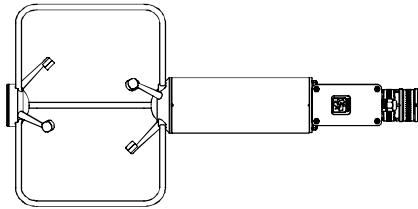
RS-485 Connections

Set BAUD RATE then select option for RS-485 FULL DUPLEX. Use any SERIAL OUTPUT FORMAT (see manual section 6.7). Other parameters settings may apply.

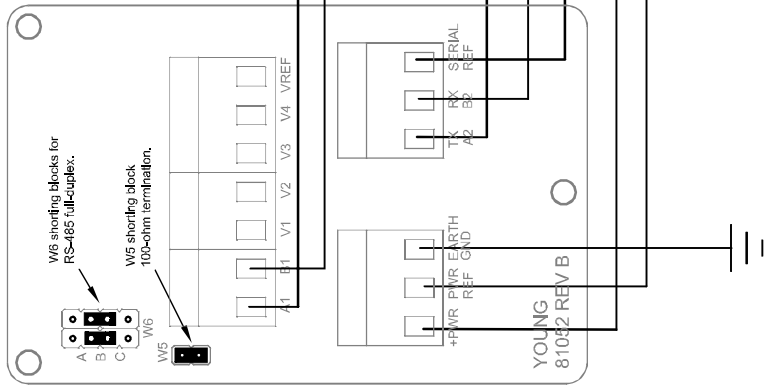
1 start, 8 data, no parity, 1 stop bit, no flow control

Verify shorting block jumpers at W5 and W6 as shown in drawing. If RS-485 connections are bussed, install W5 shorting block in last sensor on bus only.

Use shielded cable. Connect cable shield to ground at one end only as shown. For maximum reliability, connect sensor Earth Ground as close to sensor as possible.



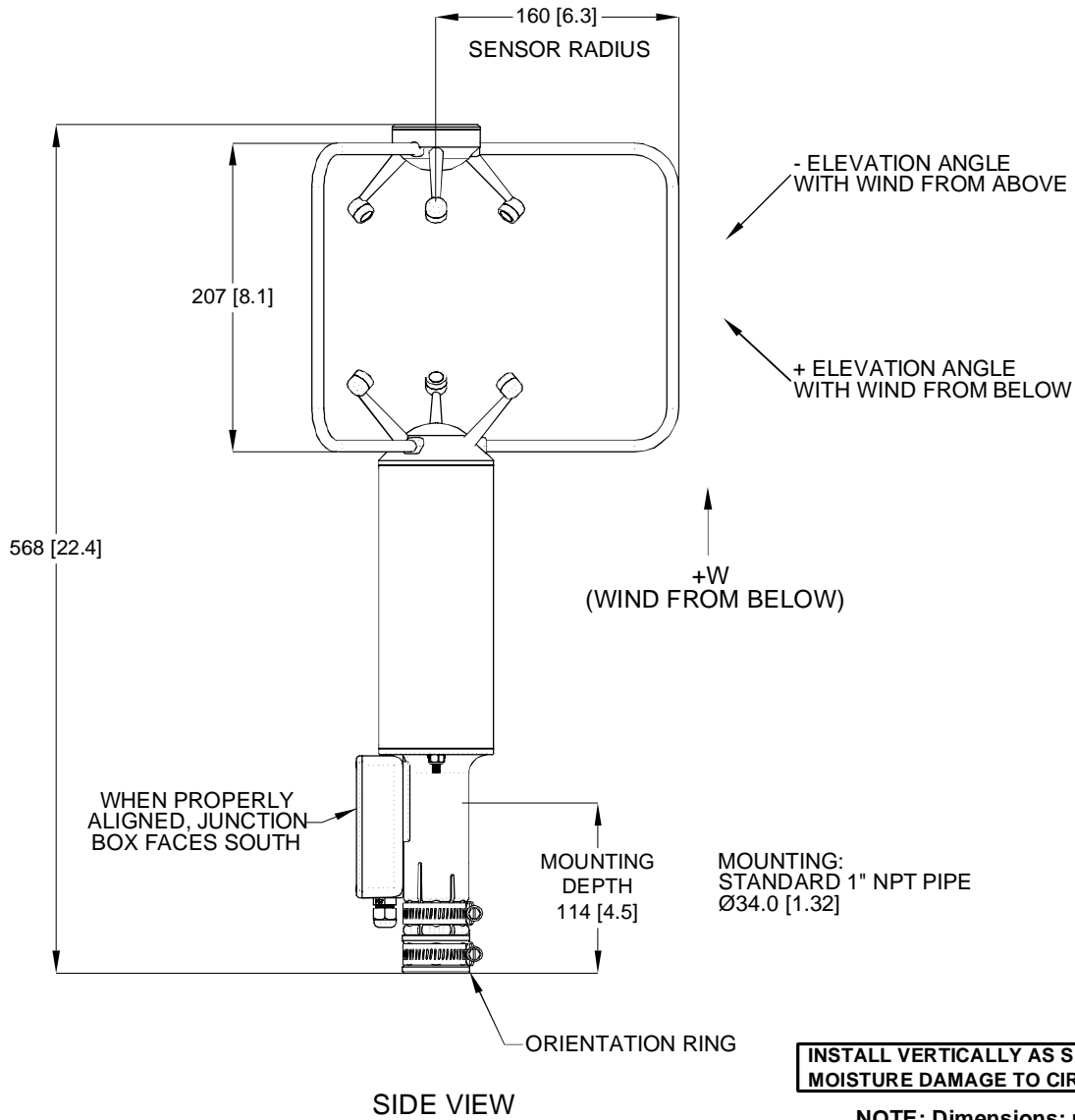
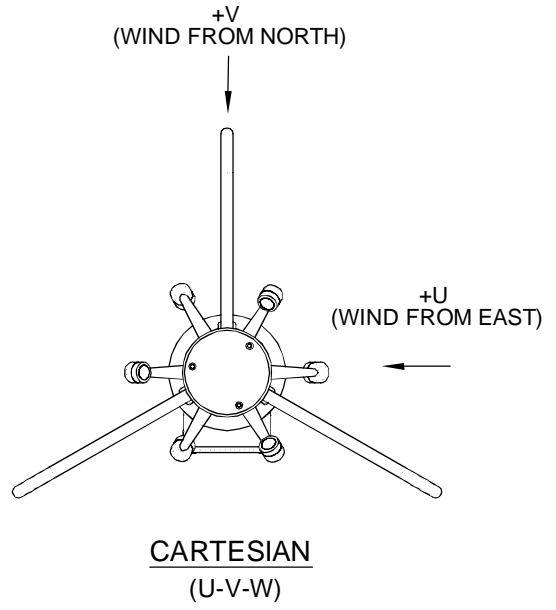
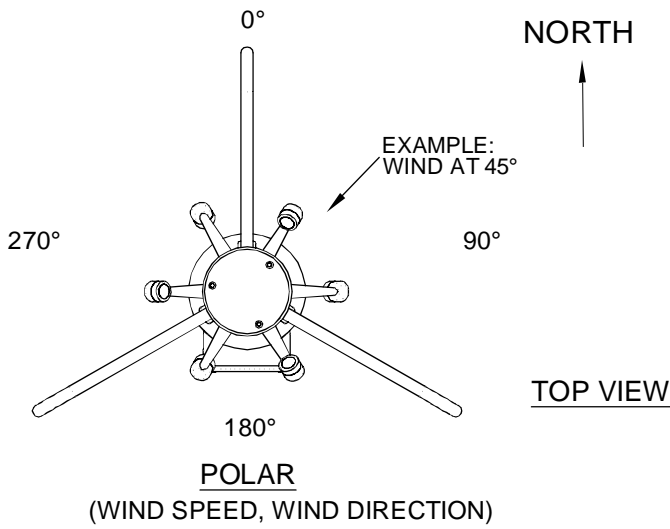
Model 81000V
Ultrasonic Anemometer



RX (A1 non-inverted)
RX (B1 inverted)
TX (A2 non-inverted)
TX (B2 inverted)
Serial Reference
(+) Sensor power
(-) 12-24 VDC 150mA max

APPENDIX B: SENSOR ORIENTATION AND DIMENSIONS

MODEL 81000V ULTRASONIC ANEMOMETER



INSTALL VERTICALLY AS SHOWN TO AVOID MOISTURE DAMAGE TO CIRCUITRY.

NOTE: Dimensions: mm [in]