

### Model 101 P2

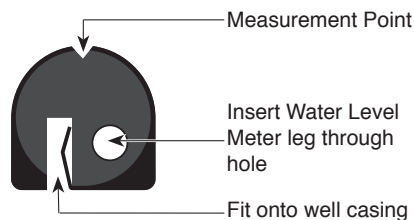
#### Equipment Check

1. Turn sensitivity dial **fully clockwise**.

**Notes:** 1. Clockwise rotation of sensitivity dial turns meter on and increases sensitivity.  
2. Always set switch to highest sensitivity position, then decrease if necessary.

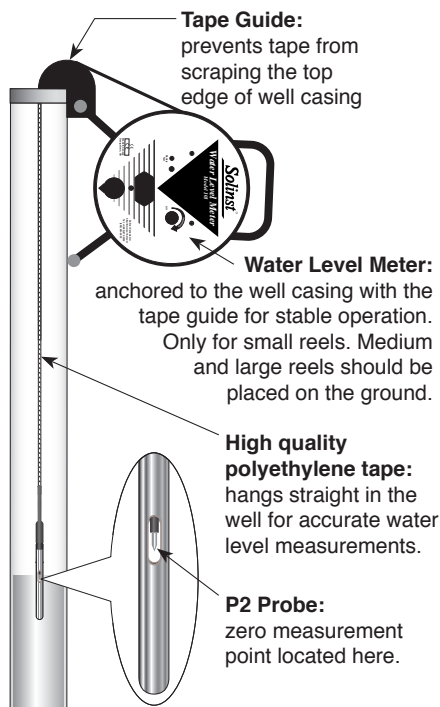
2. Depress the Battery Test button to test the battery and circuitry (excluding the probe when not in use).
3. Submerge the probe in tap water. This completes the circuit and activates the buzzer and light.

#### The Tape Guide



The Tape Guide has been designed to:

- Improve accuracy when reading water levels,
  - Easily obtain repeatable measurements,
  - Prevent tape being cut by well casing,
  - Allow the tape and probe to hang straight from the side of the well.
1. Fit the small end of the Tape Guide onto the edge of well casing 2" (50 mm) dia. or larger.
  2. Insert the leg of the Water Level Meter into the hole on the Tape Guide and rest the Water Level Meter on the side of the well casing. (See diagram above).
  3. To store the Tape Guide, simply clip it onto the support bracket located on the back of the Water Level Meter.



#### Water Level Measurements

1. The P2 Probe zero measurement point is the tip of the needle in the center of the probe.
2. For ease of operation the Tape Guide can be used to support the Water Level Meter. (See diagram above).
3. Feed the tape into and out of the well using the groove in the top of the Tape Guide. The light and buzzer activate when the needle tip enters water. To ensure accuracy, lower and raise the probe a few times and then record the depth measurement from the tape at the top of the well.
4. When using the Tape Guide, the measuring point is offset from the top of casing. To adjust your measurements to the top of the casing, simply subtract the amount indicated on the front of the Tape Guide (i.e. 6 cm or 2/10 ft).

#### Routine Care

1. After the depth to water has been recorded, the tape should be carefully rewound onto the reel, the probe wiped dry and placed into the probe holder.
2. The probe, tape and reel can be cleaned with phosphate free (non-abrasive) detergent and warm water.
3. Use of a Water Level Meter Carrying Bag adds to the service life of the meter.
4. Use of the Tape Guide adds to the life of the tape.

#### Probe Care and Cleaning

1. The P2 Probe should be wiped clean after each use.
2. Remove any dirt or water from around the central sensor pin.
3. If the central sensor pin is corroded or coated, use emery cloth to polish it.
4. Check the P2 Probe seal/strain relief and replace the black heat shrink if there is any cracking or other damage.
5. After cleaning, place probe back in its holder.

#### Battery Replacement

- Battery type - alkaline, 9 volt.
1. The battery is housed in a convenient battery drawer located in the faceplate of the Water Level Meter.
  2. To replace the battery, simply press the drawer in, lift then pull.
  3. The battery drawer should slide out of the faceplate enough to pull it out.
  4. Note the polarity (positive (+) terminal should be towards the small notch in the drawer) and place new battery in the drawer and slide it back into the faceplate.

#### Replacement Parts

The following parts can be provided should they become lost or damaged.

1. Probes and seal kits
2. Splice kits
3. Lights, switches, etc.
4. Reels
5. Replacement tape with probe (Complete)
6. Assembled probes on shorter lengths of tape

#### Troubleshooting

SYMPTOM	CAUSE	REMEDY
No sound when probe immersed in water.	Dead battery.	Replace with 9V Alkaline.
	Water Conductivity is very low.	Increase sensitivity switch setting (turn clockwise) or call Solinst for assistance.
	Disconnected wires on circuit board.	Check all connections inside hub of reel for loose/disconnected wires - solder or reconnect.
	Broken wire in tape.	Locate break in tape - splice and seal. (Contact Solinst)
Instrument continuously sounds after being immersed in water.	Disconnected wire inside probe.	Contact Solinst to obtain parts/repair instructions.
	Water in probe. Probe may be dirty which could interfere with the circuit connection.	Contact Solinst for probe seal kit. Disassemble, clean and reassemble probe using the new seal kit.