

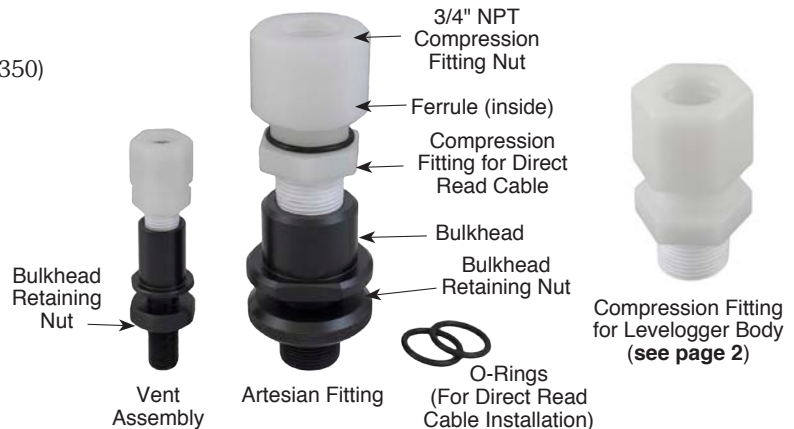
For use with Model 3001

Tools and Materials Needed

1. Model 3001 Artesian Well Fitting Assembly (#112350)
2. Sealed well cap (with smooth top cap)
3. Drill with 1" and 1/2" Drill Bits

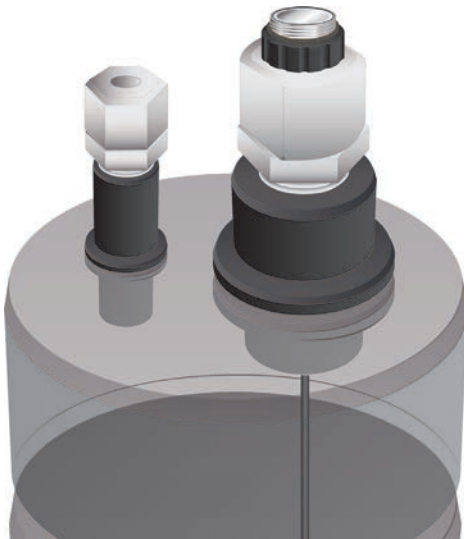
Notes: The Artesian Well Fitting Assembly for the Direct Read Cable, or Levelogger installation, is not recommended for pressures in excess of 30 psi (66 ft. (20 m)) of water column.

The Solinst Model 3001 Well Cap Assembly is not designed for artesian well monitoring.



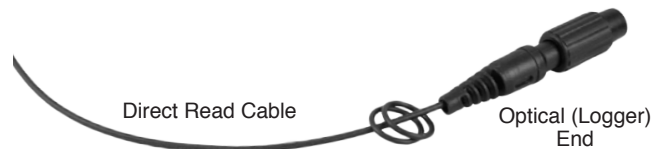
Instructions for Use with a Direct Read Cable

Note: See page 2 for installation without the use of a Direct Read Cable. The Levelogger will be installed in the fitting at the top of the well; ideal for continuous artesian conditions.

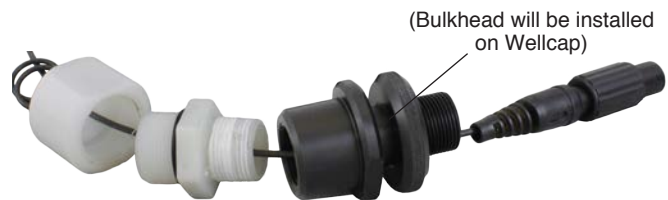


Model 3001 Artesian Well Fitting Assembly Installed with a Direct Read Cable on the top of a Sealed Well Cap

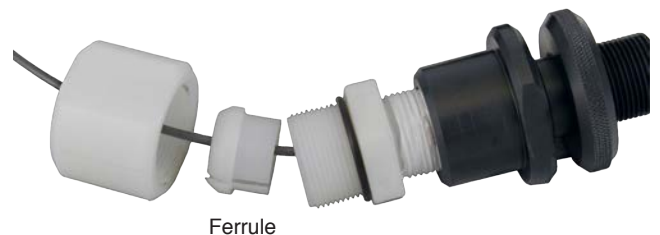
1. Drill two holes in your well cap to accommodate the NPT bulkhead fittings - a 1/2" diameter hole for the vent assembly and a 1" hole for the artesian fitting. Ensure you leave enough room between the holes for installing both.
2. Unscrew the 3/4" NPT compression fitting nut and remove it, and the ferrule, from the artesian fitting. Unscrew the compression fitting from the bulkhead.
3. Unscrew the bulkhead retaining nut from the artesian fitting. Insert the bulkhead through the 1" hole in the well cap. Secure the bulkhead to the top of the well cap using the retaining nut. Tighten to ensure the o-ring on the bulkhead is snug, creating a seal between the smooth top of a well cap and bulkhead.



4. Thread the two o-rings over the optical (logger) end of your Direct Read Cable (see figure above).
5. Thread the compression fitting nut, then the compression fitting and bulkhead (with well cap) of the artesian fitting onto the Direct Read Cable.



6. Slide the ferrule onto the Direct Read Cable in between the compression fitting and compression fitting nut.
7. Thread the compression fitting back into the bulkhead.



8. Insert the ferrule into the compression fitting and start threading the compression fitting nut onto the compression fitting.
9. Slide the o-rings down the cable and install them in the two grooves in the top of the compression fitting nut.

Continued on page 2...



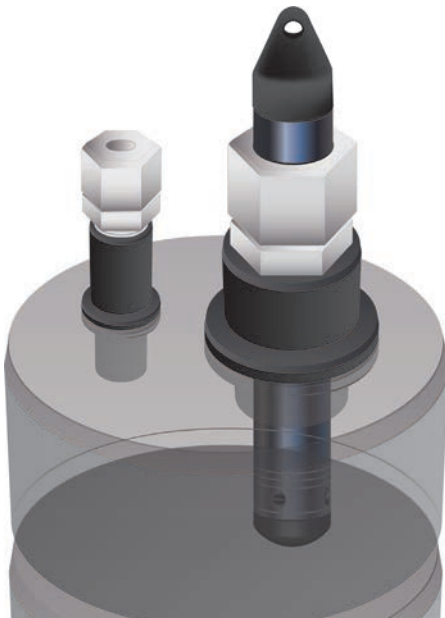
10. Pull the Direct Read Cable all the way through the assembly, until the top wellhead (non-optical) end of the Direct Read Cable is seated in the compression fitting.
11. Tighten the compression fitting nut around the end of the Direct Read Cable until the nut seals against the o-ring on the compression fitting.

Top (non-optical)
End of Direct
Read Cable



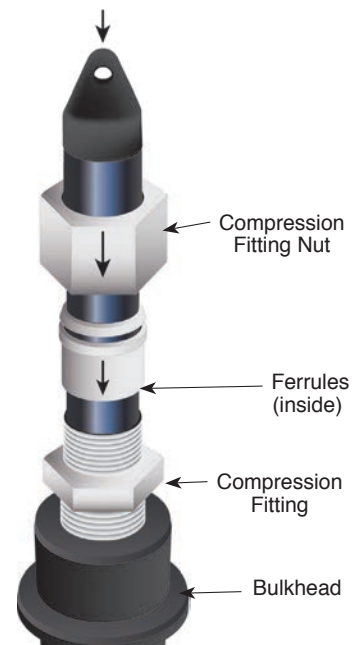
12. Connect your Levelogger to the optical end of the Direct Read Cable.
13. Remove the retaining nut from the bulkhead on the vent assembly. Insert the bulkhead through the 1/2" hole in the wellhead. Secure the vent assembly to the top of the wellhead using the retaining nut. Tighten to ensure the o-ring on the bulkhead is snug, creating a seal between the well cap and bulkhead.
14. Lower the Levelogger down-well, and install the well cap, with connected artesian well fitting assembly, on the well. See page 1 for a diagram of the completed installation.

Instructions for Installing Directly to Levelogger



Model 3001 Artesian Well Fitting Assembly Installed with a Levelogger on the top of a Sealed Wellcap

1. Start by drilling two holes in your wellcap to accommodate the NPT bulkhead fittings - a 1/2" diameter hole for the vent assembly and a 1" hole for the artesian fitting. Ensure you leave enough room between the holes for installing both.
2. Unscrew the compression fitting (with nut and ferrule) for Direct Read Cables from the artesian fitting (you will use the compression fitting for the Levelogger body in its place).
3. Unscrew the bulkhead retaining nut from the artesian fitting. Insert the bulkhead through the 1" hole in the wellcap. Secure the bulkhead to the top of the wellcap using the retaining nut. Tighten to ensure the o-ring on the bulkhead is snug, creating a seal between the smooth top of the wellcap and bulkhead.



4. Thread the compression fitting for the Levelogger body into the bulkhead. Loosen the compression fitting nut (compression fitting shown above is for reference, you may not need to completely remove the compression fitting nut).
5. Slide the Levelogger into the compression fitting, leaving about 1/4 of the Levelogger body exposed above the fitting.
6. Tighten the compression fitting nut around the Levelogger (about 1-1/4 turns past finger tight).
7. Remove the retaining nut from the bulkhead on the vent assembly. Insert the bulkhead through the 1/2" hole in the wellhead. Secure the vent assembly to the top of the wellhead using the retaining nut. Tighten to ensure the o-ring on the bulkhead is snug, creating a seal between the wellcap and bulkhead.
8. Install the wellcap, with connected artesian well fitting assembly, onto the well.

®Solinst is a registered trademark of Solinst Canada Ltd.

Printed in Canada
March 30, 2017

(#112351)

(Page 2 of 2)

For further information contact: Solinst Canada Ltd.

Fax: +1 (905) 873-1992; (800) 516-9081 Tel: +1 (905) 873-2255; (800) 661-2023
35 Todd Road, Georgetown, Ontario Canada L7G 4R8
Web Site: www.solinst.com E-mail: instruments@solinst.com

Solinst®