

The Zebra-Tech Hydro-Wiper: Anti-fouling solution for sensors/cameras

The Hydro-Wiper is a mechanical wiper system designed to fit easily to a range of sensors and cameras. Using a regular gentle brushing action, the Hydro-Wiper keeps optical windows clean from bio-fouling and other unwanted deposits such as mud. Reduce the need for costly site visits and ensure data integrity during long deployments.

The self-contained Hydro-Wiper consists of a wiper unit that is attached to the instrument by a purpose designed clamp. The wiper unit is connected to a rugged underwater housing that contains the batteries, control electronics, diagnostic LED and wipe interval select switch.

The data logger controlled Hydro-Wiper consists of a wiper unit that is attached to the instrument by a purpose designed clamp. The wiper unit is connected to the Hydro-Wiper control module by an electrical cable. The control module is a small rugged wiring panel that connects to a power supply and a data logger. To initiate a wipe, the data logger simply sends a trigger signal to the control module. Synchronising the wipe with measurements from the instrument ensures data quality is consistent throughout the deployment.

Models

- Apogee PAR
- Aqualogger 200
- Aqualogger 210
- BBE AlgaeTorch
- BBE FluoroProbe
- Chelsea TriLux
- Chelsea UniLux
- Chelsea UvLux
- D&A OBS 3
- D&A OBS 3+
- Dataflow Odyssey
- Greenspan Tu Sensor
- Li-Cor Li-192
- Ponsel DO Sensor
- Ponsel Tu Sensor
- Satlantic Suna
- Seapoint Fluorometer
- Seapoint Turbidity Sensor
- TriOS microFlu
- TriOS Opus
- TriOS RAMSES-ACC
- TriOS Turbidity Immersion
- Turners Cyclops-7
- Wet Labs C-Star
- Wet Labs Eco Triplet



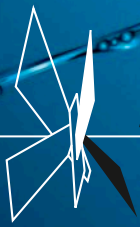
Hydro-Wiper



Self-contained Hydro-Wiper



Data logger controlled
Hydro-Wiper



Specifications

Hydro-Wiper

- **Brush construction:** PVC stock, stainless staples, nylon bristle; user replaceable
- **Construction:** Passivated stainless steel, Acetal
- **Depth rating:** 30 m as standard

Self-contained unit

- **Wipe Interval:** User selectable (15, 30, 45, 60, 120, 180, 240, 300, 360 or 720 minutes)
- **Clock Accuracy:** ± 1 minute per year (0–40 °C)
- **Power Supply:** 6 \times alkaline AA batteries
- **Power Consumption:** Quiescent, 0.02 mA, ≈ 80 mA during a wipe

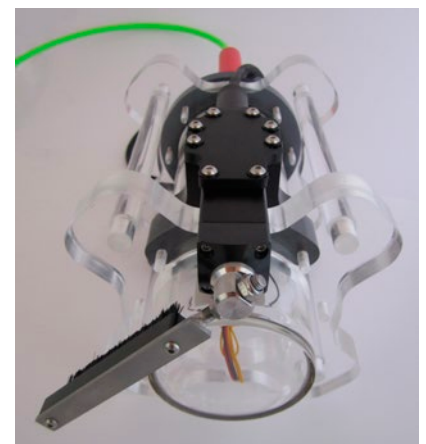
Data logger controlled unit

- **Power supply:** Between 8 and 24 volts DC
- **Power consumption between wipes:** 0.06 mA
- **Power consumption during a wipe:** Typically 90 mA

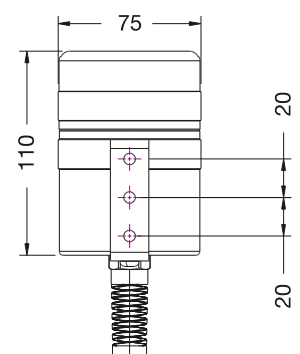
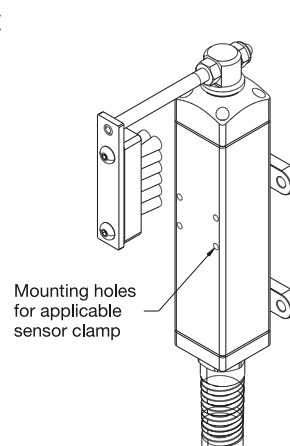
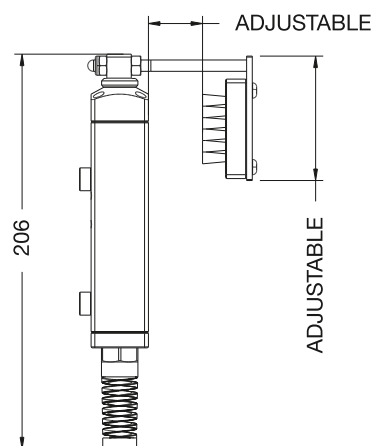
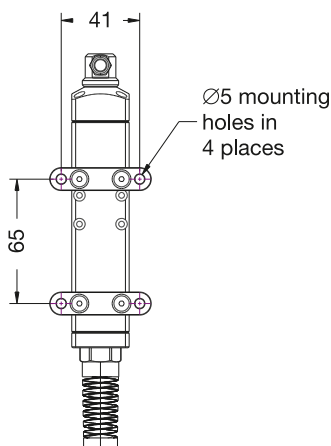
Options

The following additional options are also available with your Hydro-Wiper:

- **Extended Depth Rating:** 100 meters
- **Connectors:** Impulse wet-pluggable connectors on the wiper
- **Extended Deployment:** Holds twice the number of batteries (12) for extended deployment
- **Battery Housing**
- **Multi Wipe option:** Only available for Turners Cyclops and Odyssey
- **Custom:** Custom clamps, brushes and arms available



Custom camera housing wiper



(All measures in mm)

Hydro-Wiper body

Battery and control housing